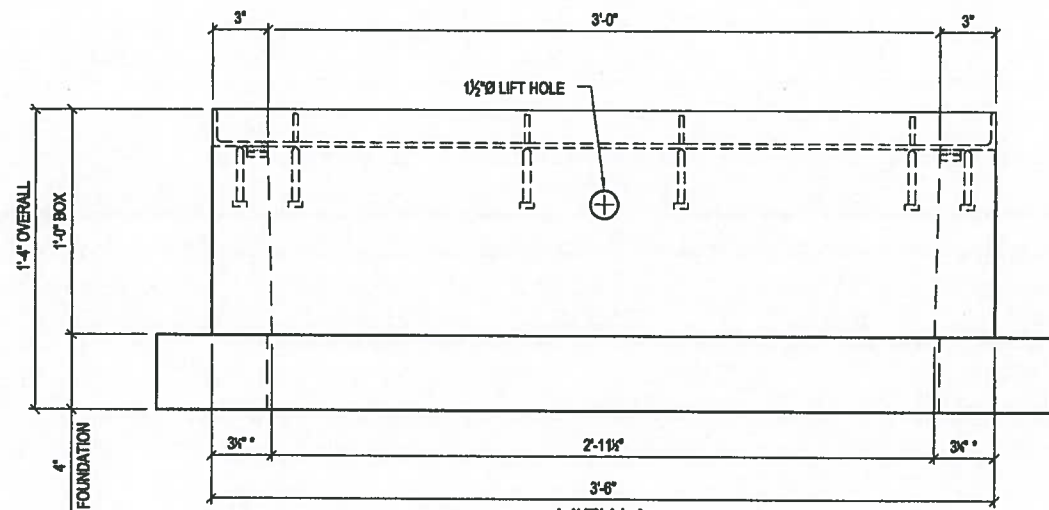
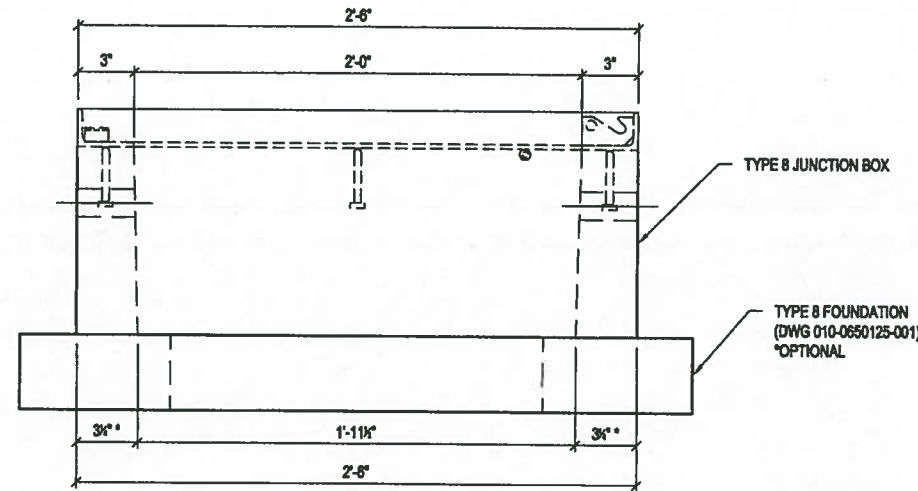


PLAN VIEW
(DOORS REMOVED FOR CLARITY)



VIEW A



VIEW B

STRUCTURAL NOTES

1. CONCRETE: 28 DAY COMPRESSIVE STRENGTH $f_c = 4,000$ psi
2. STEEL SHAPES: ASTM A-36 STRUCTURAL STEEL STANDARDS
3. WWF: ASTM A-185 GRADE 65 (AASHTO M55)
4. DESIGN: ACI-318-11 BUILDING CODE
5. LOADS: ASTM C-857 "MINIMUM STRUCTURAL DESIGN LOADING FOR UNDERGROUND PRECAST CONCRETE UTILITY STRUCTURES" 22,500 LBS TEST LOAD ACTING OVER A 10" X 10" AREA 40 psf E.F.P. LATERAL SOIL PRESSURE 113 psf LIVE LOAD SURCHARGE TOP OF JUNCTION BOX AT FINISHED GRADE WATERTABLE BELOW BOTTOM OF JUNCTION BOX (ASSUMED)

GENERAL NOTES

1. CUSTOMER TO:
VERIFY ALL JUNCTION BOX TYPE 8 FEATURES
2. COVERS AVAILABLE TO USE WITH THIS FRAME:
2980720 (TYPE 8 NS COVER SET - WSDOT)
2980765 (TYPE 8 DP COVER SET - WSDOT)
3. FRAMES AVAILABLE TO USE WITH THIS COVER:
2980700 (TYPE 8 FRAME - WSDOT)

SHIPPING WEIGHT
TYPE 8 JUNCTION BOX = 445LBS
TYPE 8 FOUNDATION = 350LBS

* WALL THICKNESS WITH 1/4" DRAFT SHOWN.
ACTUAL WALL DIMENSION 3'± 1/4"

APPROVED
Washington State Department of Transportation
HQ Traffic Operations Office
BY: [Signature] DATE: 3/20/2018



B	CENTERED LIFTING HOLE - ADDED FOUNDATION OPTION	CJC
REVISION	DESCRIPTION	BY

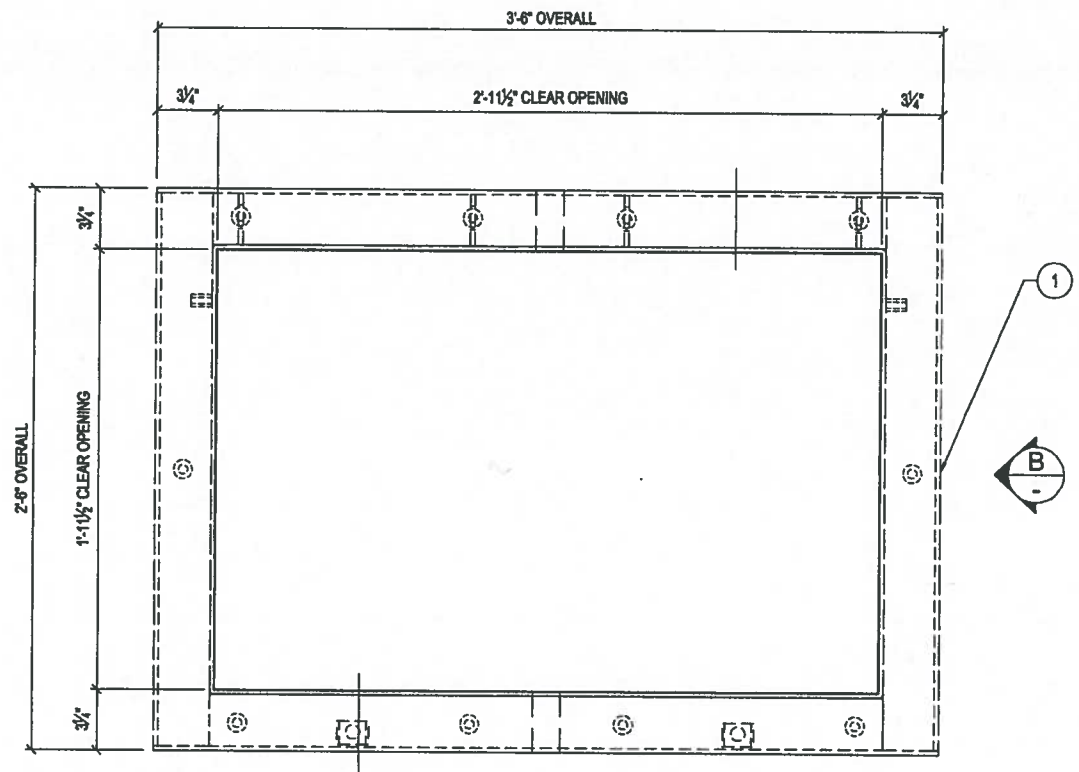
Oldcastle Precast
P.O. BOX 888 AUBURN, WA 98071-0888
PHONE: 800-882-1838 FAX: 253-758-4201

THIS DOCUMENT IS THE PROPERTY OF OLDCASTLE PRECAST, INC. IT IS CONFIDENTIAL, SUBMITTED FOR REFERENCE PURPOSES ONLY, AND SHALL NOT BE USED IN ANY WAY IN VIOLATION OF THE INTERESTS OF, OR WITHOUT THE WRITTEN PERMISSION OF OLDCASTLE PRECAST, INC. COPYRIGHT © 2017 OLDCASTLE PRECAST, INC. ALL RIGHTS RESERVED.

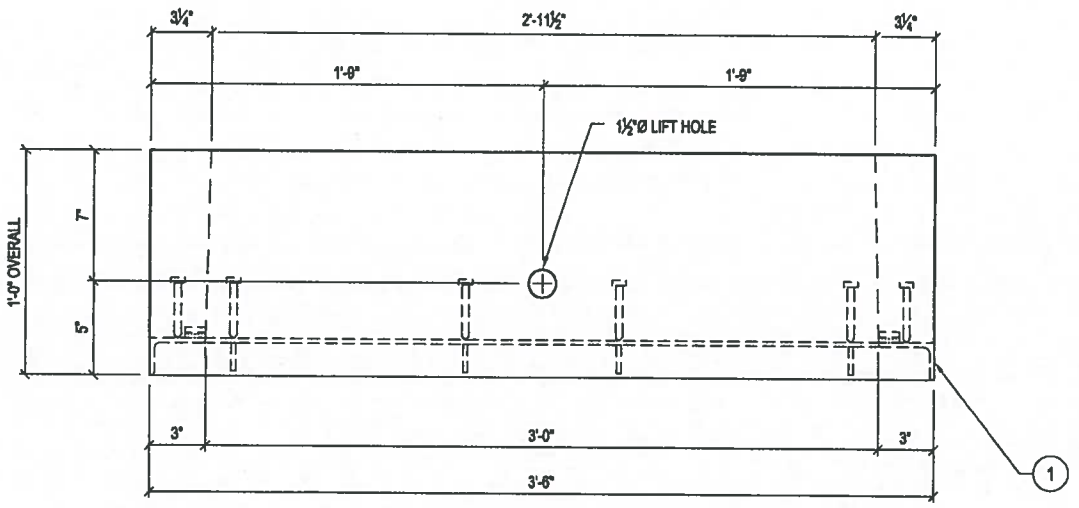
TYPE 8 JUNCTION BOX w/ FRAME - WSDOT
CUSTOMER LAYOUT

STANDARD PRODUCT
CUSTOMER

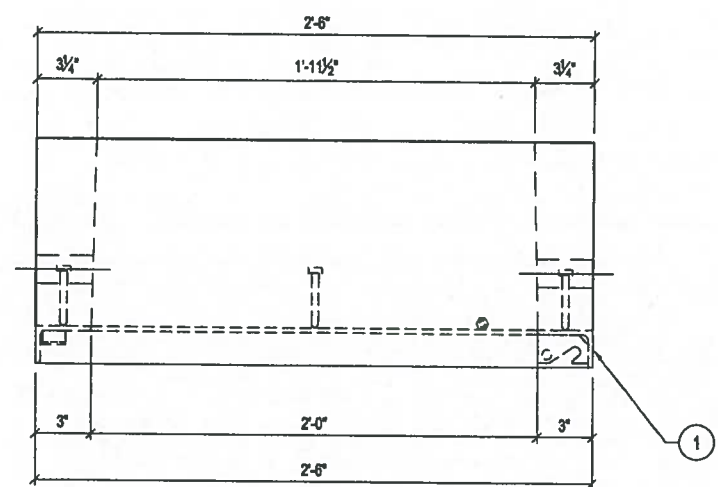
DATE	SALES	DRAWN	ENGINEER	CHECKED	SALES ORDER
03/07/2017		MKC			
DRAWING NUMBER					REVISION
010-0650120-001					B
					REV DATE
					2/9/2018
					SHEET
					1 OF 3



PLAN VIEW
LAYOUT (SHOWN AS POURED)



VIEW A



VIEW B

PRODUCTION QUANTITY
(1) TYPE 8 JUNCTION BOX w/ FRAME - WSDOT

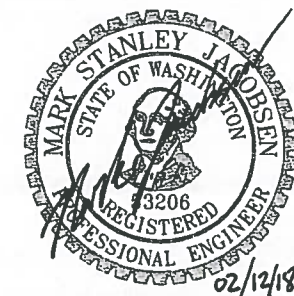
PRODUCT WEIGHT
445 LBS

SHOP NOTES
1. USE "TYPE 8 JUNCTION BOX" STEEL FORM
2. CONCRETE FINISH: FLAT FLOAT FINISH WITH MACHINED EDGES

BILL OF MATERIALS

#	QUANTITY	DESCRIPTION	ITEM #
	0.11 yds	CONCRETE MIX - SCC	5010000
	8.22 sqf	MESH - (SQUARE FEET)	5500000
1	1 ea	TYPE 8 FRAME - WSDOT	2980700

APPROVED
Washington State Department of Transportation
HQ Traffic Operations Office
BY: *[Signature]* DATE: 3/20/2018



REVISION	DESCRIPTION	BY
B	CENTERED THE LIFTING HOLE	CJC

Oldcastle Precast®
P.O. BOX 688 ALBUQU, WA 98071-0588
PHONE: 800-882-1535 FAX: 253-725-4201

THIS DOCUMENT IS THE PROPERTY OF OLDCASTLE PRECAST, INC. IT IS CONFIDENTIAL, SUBMITTED FOR REFERENCE PURPOSES ONLY, AND SHALL NOT BE USED IN ANY WAY INJURIOUS TO THE INTERESTS OF, OR WITHOUT THE WRITTEN PERMISSION OF OLDCASTLE PRECAST, INC. COPYRIGHT © 2017 OLDCASTLE PRECAST, INC. ALL RIGHTS RESERVED.

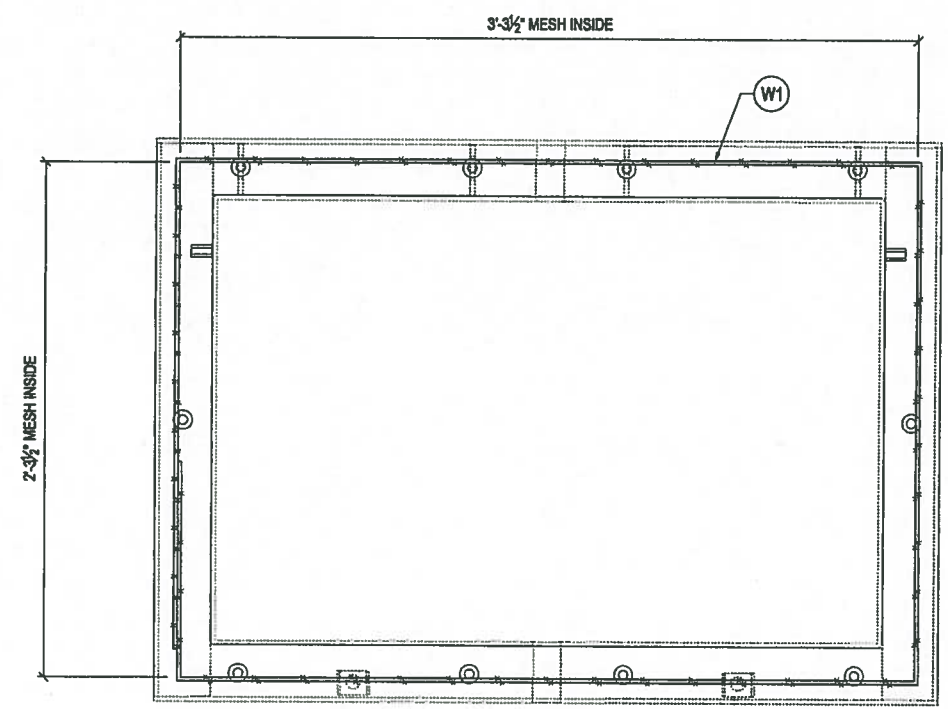
TYPE 8 JUNCTION BOX w/ FRAME - WSDOT
LAYOUT DETAILS

STANDARD PRODUCT
CUSTOMER

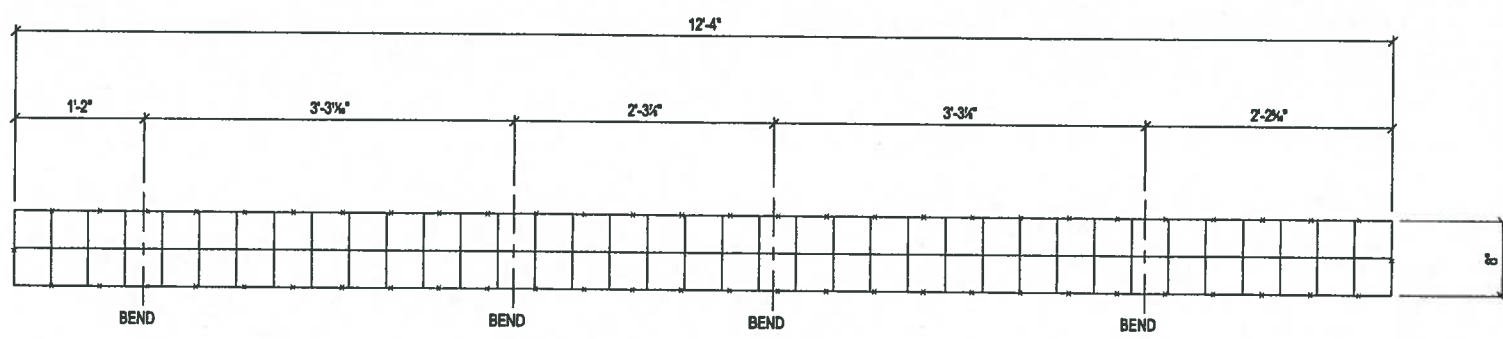
DATE	SALES	DRAWN	ENGINEER	CHECKED	SALES ORDER
03/07/2017		MKC			

DRAWING NUMBER: 010-0650120-001
REVISION B
REV DATE 2/8/2018
SHEET 2 OF 3

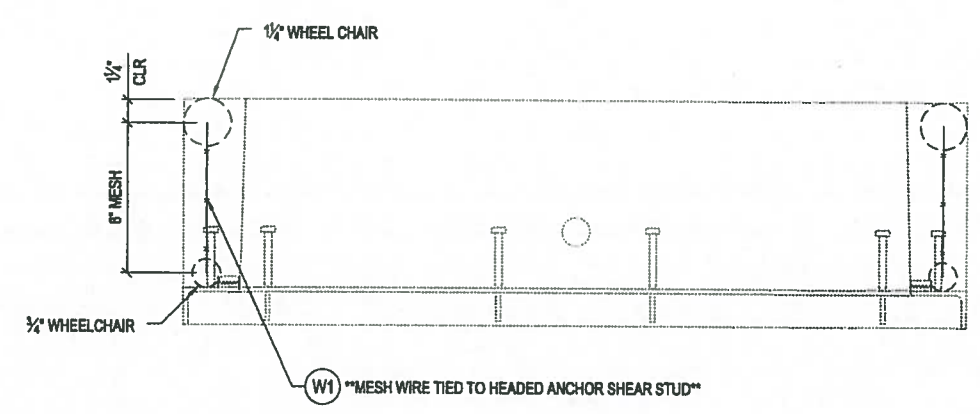
REINFORCEMENT CUT LIST				
#	QTY	MATERIAL	LENGTH	SHAPE
W1	1	MESH 4X4 - W2.9 X W2.9		BENT



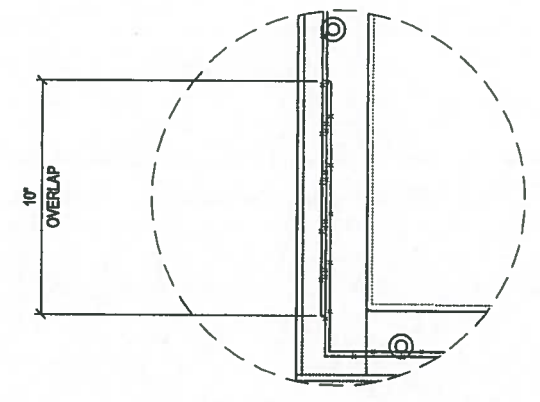
PLAN VIEW



W1 DETAIL
(OVERLAP = 10")

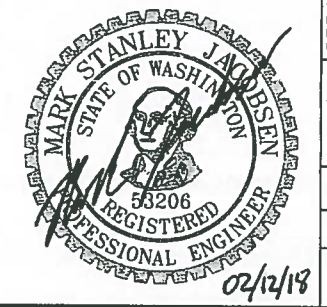


VIEW A



MESH OVERLAP DETAIL

APPROVED
 Washington State Department of Transportation
 HQ Traffic Operations Office
 BY: [Signature] DATE: 3/20/2018



REVISION	DESCRIPTION	BY
B	ADDED INSIDE CALLOUT TO PLAN VIEW MESH DIMENSIONS	CJC

Oldcastle Precast
 P.O. BOX 688 ALBURN, WA 99711-0688
 PHONE: 800-882-1530 FAX: 253-733-4201

THIS DOCUMENT IS THE PROPERTY OF OLDCASTLE PRECAST, INC. IT IS CONFIDENTIAL, SUBMITTED FOR REFERENCE PURPOSES ONLY, AND SHALL NOT BE USED IN ANY WAY HARMFUL TO THE INTERESTS OF, OR WITHOUT THE WRITTEN PERMISSION OF OLDCASTLE PRECAST, INC. COPYRIGHT © 2017 OLDCASTLE PRECAST, INC. ALL RIGHTS RESERVED.

TYPE 8 JUNCTION BOX w/ FRAME - WSDOT
 REINFORCEMENT DETAILS

STANDARD PRODUCT
 CUSTOMER

DATE	SALES	DRAWN	ENGINEER	CHECKED	SALES ORDER
03/07/2017		MKC			

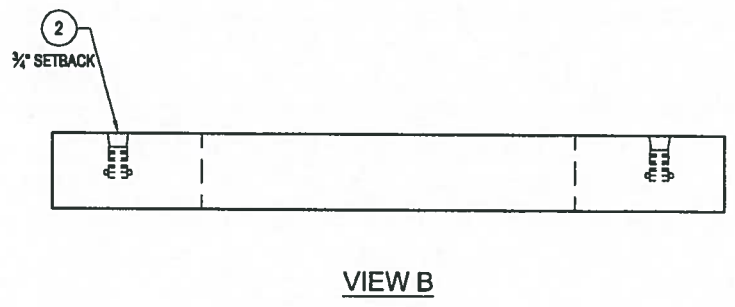
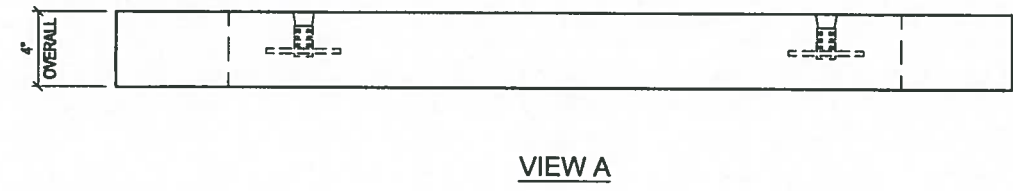
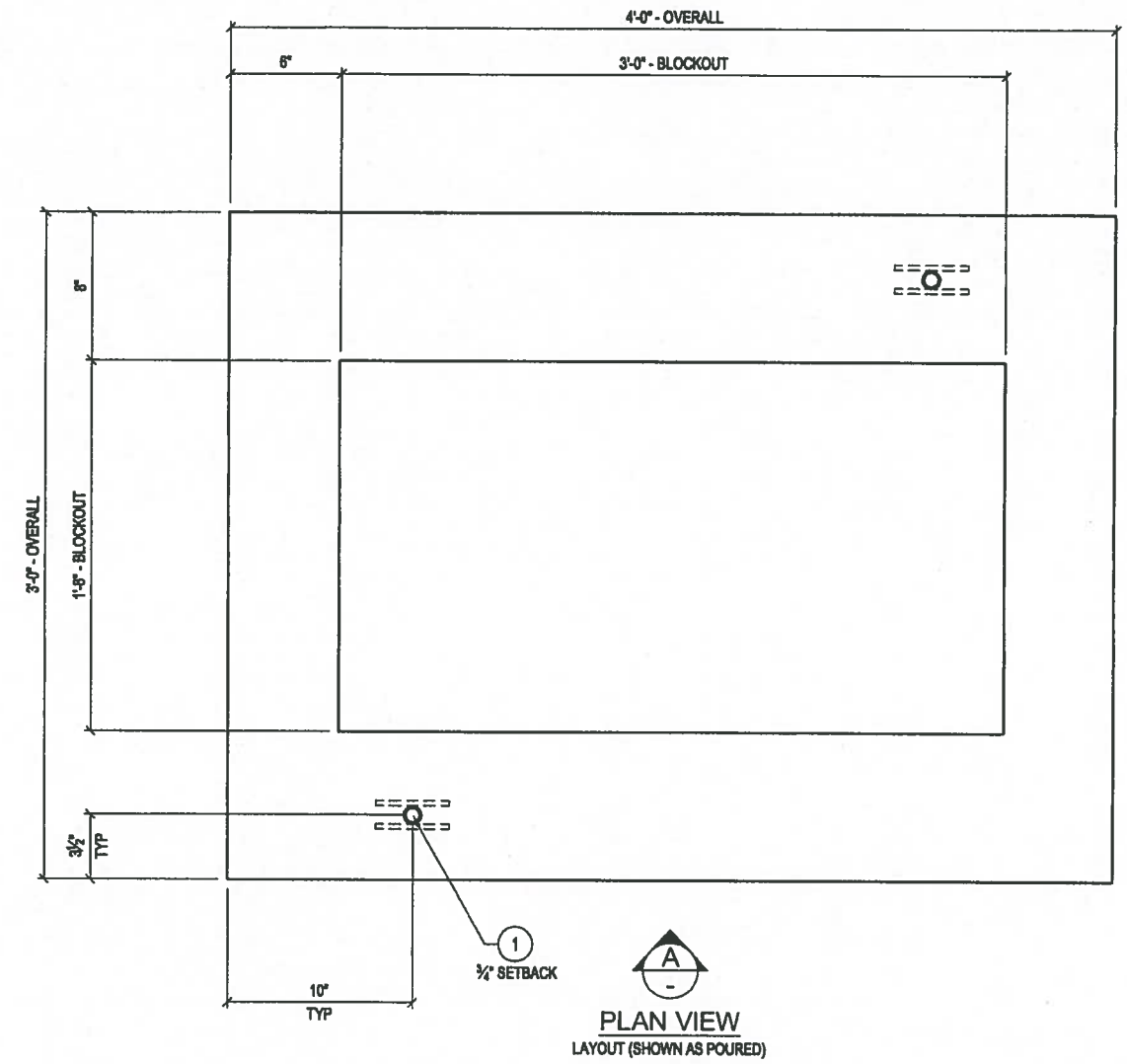
DRAWING NUMBER: 010-0650120-001
 REVISION B REV DATE 2/8/2018
 SHEET 3 OF 3

STRUCTURAL NOTES
 1. CONCRETE: 28 DAY COMPRESSIVE STRENGTH $f_c = 4,000$ psi
 2. REBAR: ASTM A-706 GRADE 60
 3. DESIGN: PER WSDOT STANDARD PLAN J-40.30-04

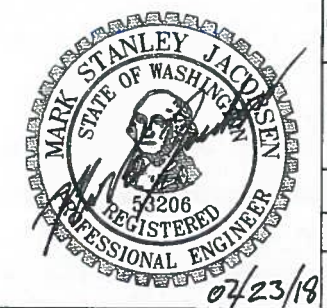
PRODUCT WEIGHT
 350 LBS

SHOP NOTES
 1. FORM DIAGONAL DISTANCE: 6'-0"
 2. CONCRETE FINISH: STEEL TROWEL FINISH WITH MACHINED EDGES

BILL OF MATERIALS			
#	QUANTITY	DESCRIPTION	ITEM #
1	2 ea	INSERT LOOP FERR 3/4"	5100100
	0.09 yds	CONCRETE MIX - SCC	5010000
	0.82 bar	REBAR #5 X 40' A706/GR60	5510050
	10.00	WOOD & STEEL FORMING CHARGE	9300050



APPROVED
 Washington State Department of Transportation
 HQ Traffic Operations Office
 BY: [Signature] DATE: 3/20/2018



Oldcastle Precast®
 P.O. BOX 698 ALBUQU, WA 98711-0698
 PHONE: 800-892-1058 FAX: 253-795-4201

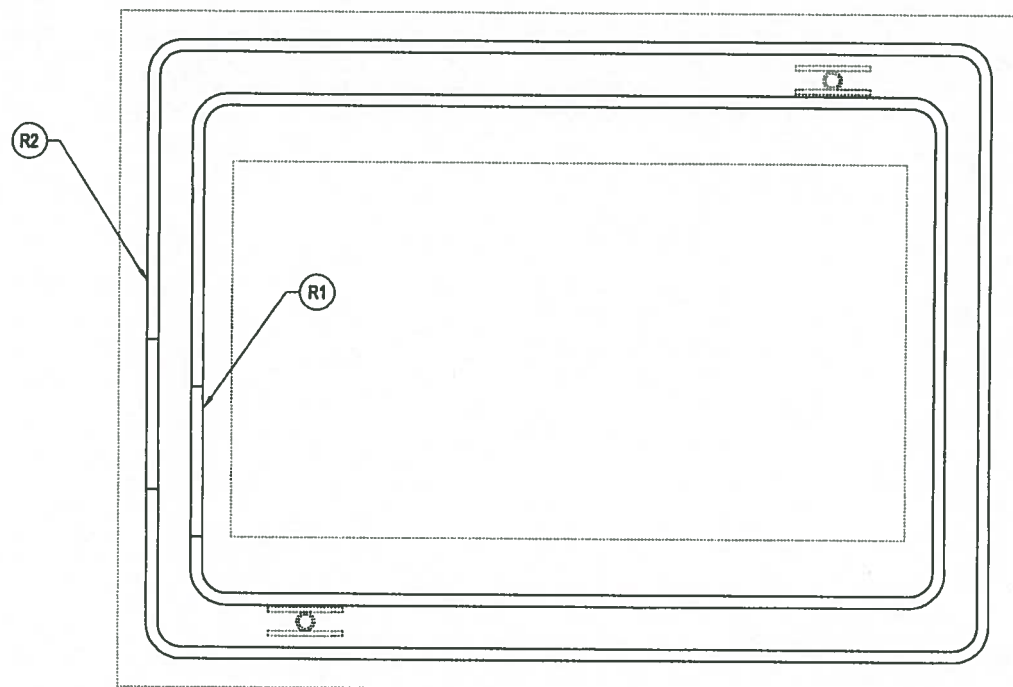
THIS DOCUMENT IS THE PROPERTY OF OLDCASTLE PRECAST, INC. IT IS CONFIDENTIAL, SUBMITTED FOR REFERENCE PURPOSES ONLY, AND SHALL NOT BE USED IN ANY WAY UNLESS TO THE INTERESTS OF, OR WITHOUT THE WRITTEN PERMISSION OF OLDCASTLE PRECAST, INC. COPYRIGHT © 2018 OLDCASTLE PRECAST, INC. ALL RIGHTS RESERVED.

TYPE 8 JUNCTION BOX FOUNDATION - WSDOT
 LAYOUT DETAILS
 STANDARD PRODUCT

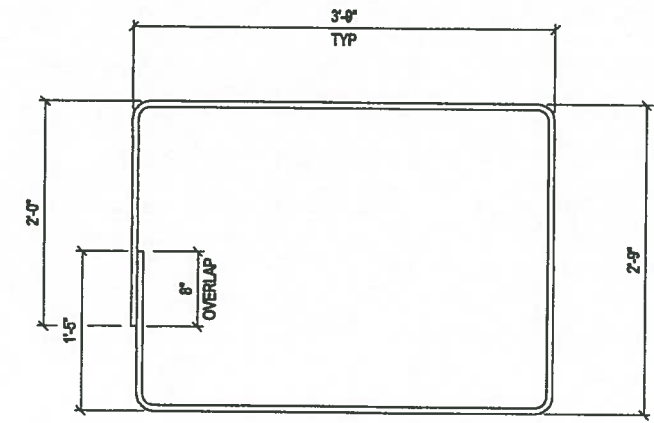
CUSTOMER: **WSDOT**

DATE	SALES	DRAWN	ENGINEER	CHECKED	SALES ORDER
2/20/2018		CJC			
DRAWING NUMBER			REVISION	SHEET	
010-0650125-001			REV DATE	1 OF 2	

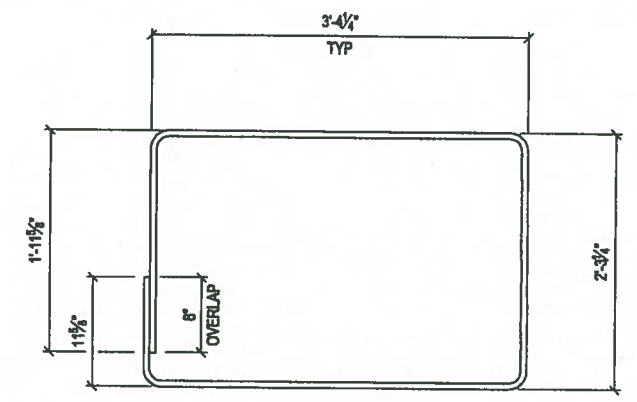
REVISION	DESCRIPTION	BY



A
PLAN VIEW



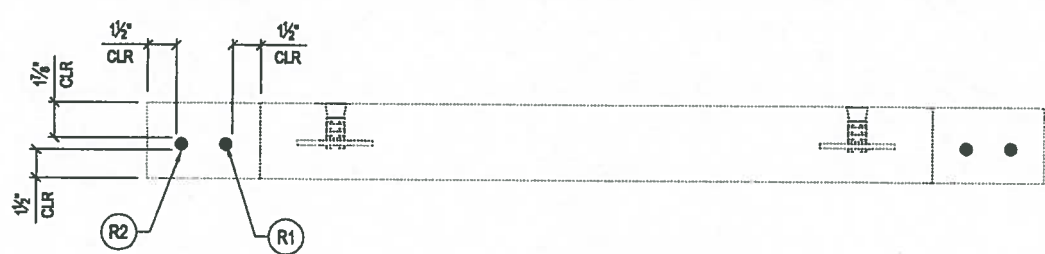
R2 DETAIL



R1 DETAIL



REINFORCEMENT CUT LIST				
#	QTY	MATERIAL	LENGTH	SHAPE
R1	1	#5 REBAR A708/GR60	11'- 4"	BENT
R2	1	#5 REBAR A708/GR60	13'- 1"	BENT

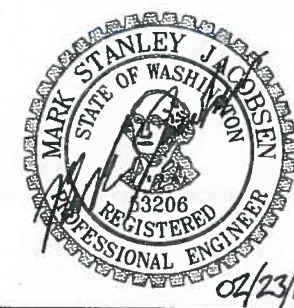


VIEW A



VIEW B

APPROVED
 Washington State Department of Transportation
 HQ Traffic Operations Office
 BY: [Signature] DATE: 3/20/2018

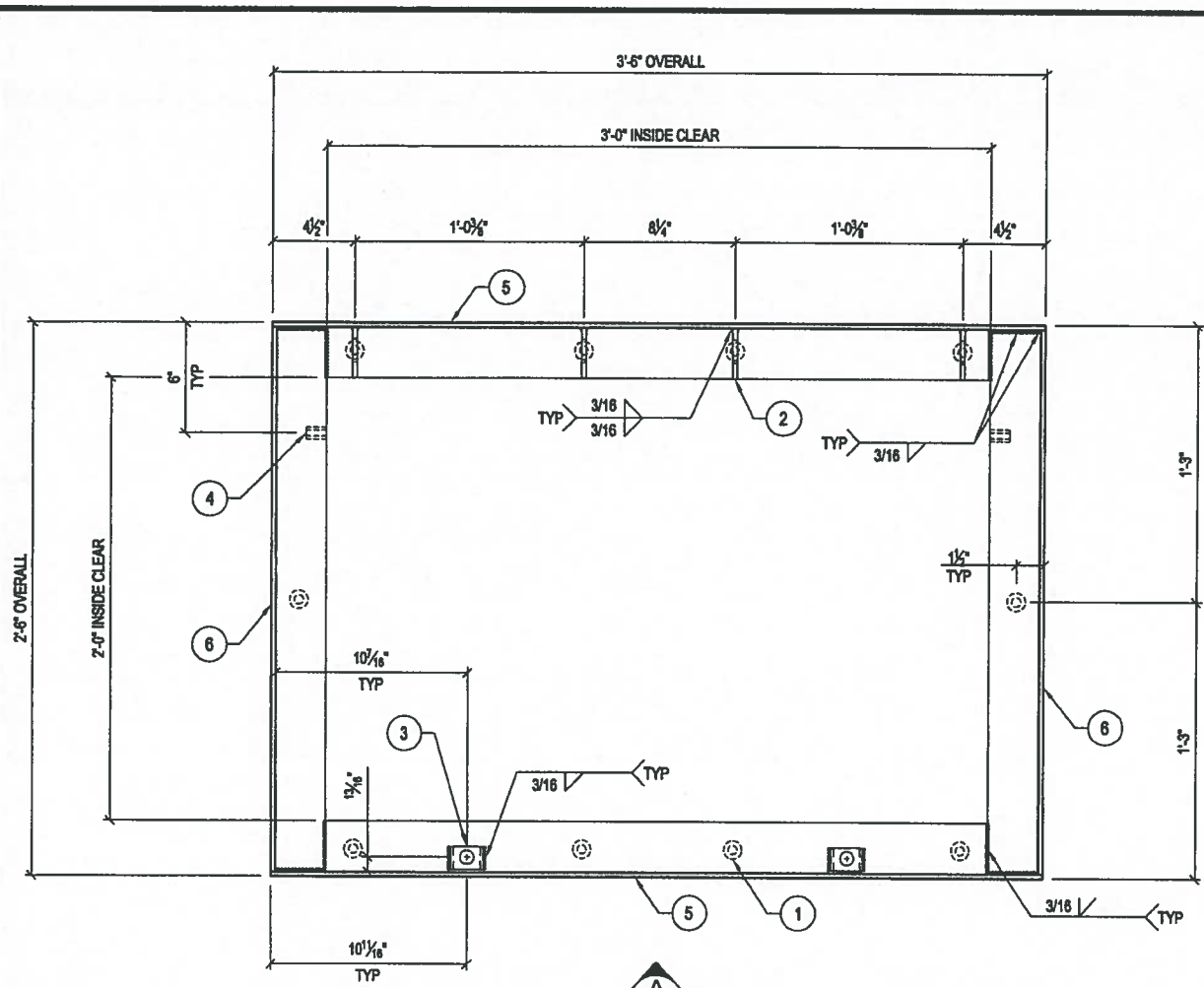


THIS DOCUMENT IS THE PROPERTY OF OLDCASTLE PRECAST, INC. IT IS CONFIDENTIAL, SUBMITTED FOR REFERENCE PURPOSES ONLY, AND SHALL NOT BE USED IN ANY WAY HARMFUL TO THE INTERESTS OF, OR WITHOUT THE WRITTEN PERMISSION OF OLDCASTLE PRECAST, INC. COPYRIGHT © 2018 OLDCASTLE PRECAST, INC. ALL RIGHTS RESERVED.

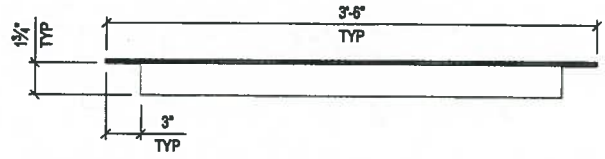
TYPE 8 JUNCTION BOX FOUNDATION - WSDOT
 REINFORCEMENT DETAILS
 STANDARD PRODUCT

CUSTOMER WSDOT					
DATE 2/20/2018	SALES	DRAWN CJC	ENGINEER	CHECKED	SALES ORDER
DRAWING NUMBER 010-0650125-001			REVISION REV DATE	SHEET 2 OF 2	

REVISION	DESCRIPTION	BY



PLAN VIEW



PART No. 5

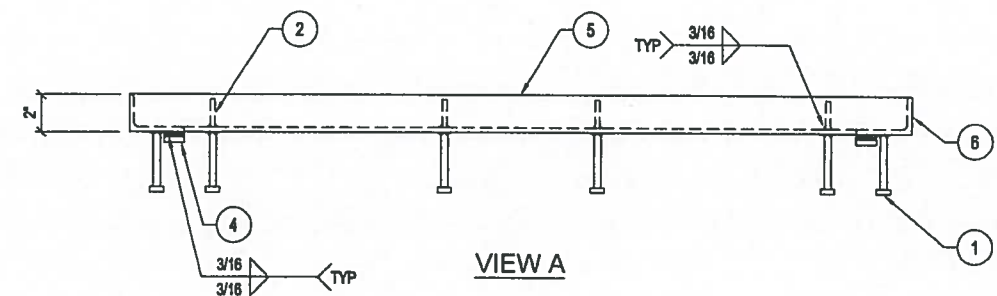
- STRUCTURAL NOTES**
- MATERIAL: ASTM A36 STRUCTURAL STEEL STANDARDS
 - ASSEMBLY: AWS D1.1 WELDING STANDARDS
 - COATING: ASTM A123 HOT-DIP GALVANIZING STANDARDS

- GENERAL NOTES**
- COVERS AVAILABLE TO USE WITH THIS FRAME:
2980720 (TYPE 8 NS COVER SET - WSDOT)
2980765 (TYPE 8 DP COVER SET - WSDOT)

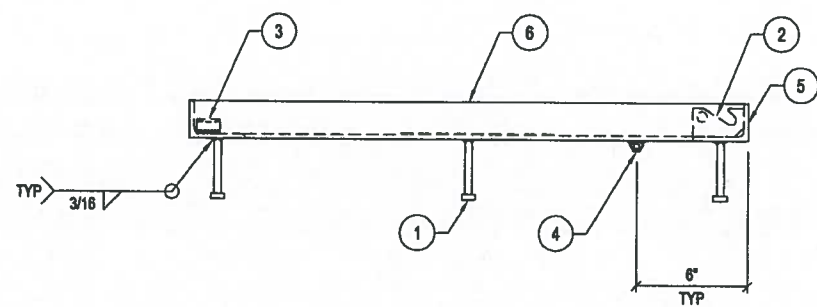
- SHOP NOTES**
- OVERALL DIMENSIONS HAVE A TOLERANCE OF $\pm 1/8$ "
 - ALL WELDS ARE $3/8$ " FILLET UNLESS OTHERWISE NOTED
 - GRIND ALL SHARP EDGES
 - COVER TO BE HOT DIPPED GALVANIZED AFTER FABRICATION
 - WEIGHT BEFORE GALVANIZING: 52 lbs

BILL OF MATERIALS			
#	QUANTITY	DESCRIPTION	ITEM #
1	10 ea	STUD 3/8" x 3 1/8"	5910455
2	4 ea	HINGE PLATE NO GUSSET	6210600
3	2 ea	BOLT POCKET	6310130
4	2 ea	5/16" x 7/8" COUPLING NUT - SS	6182032
	48.86 lbs	ANGLE 2" X 3" X 1/4"	6510220
	52 lbs	GALVANIZING PER Lb.	6800000

LAYOUT CUT LIST			
#	QUANTITY	DESCRIPTION	SIZE
5	2 ea	ANGLE 2" x 3" x 1/4"	42"
6	2 ea	ANGLE 2" x 3" x 1/4"	29 1/2"

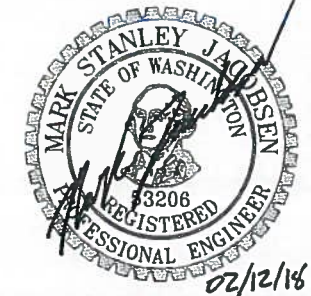


VIEW A



VIEW B

APPROVED
 Washington State Department of Transportation
 HQ Traffic Operations Office
 BY: [Signature] DATE: 3/20/2018



REVISION	DESCRIPTION	BY
B	REVISED WELD CALLOUTS/REVISED PART NUMBER 5	CJC

Oldcastle Precast
 P.O. BOX 688 ALBURN, WA 99071-0688
 PHONE: 509-882-1538 FAX: 253-725-4201

THIS DOCUMENT IS THE PROPERTY OF OLDCASTLE PRECAST, INC. IT IS CONFIDENTIAL. SUBMITTED FOR REFERENCE PURPOSES ONLY. AND SHALL NOT BE USED IN ANY WAY INJURIOUS TO THE INTERESTS OF, OR WITHOUT THE WRITTEN PERMISSION OF OLDCASTLE PRECAST, INC. COPYRIGHT © 2017 OLDCASTLE PRECAST, INC. ALL RIGHTS RESERVED.

TYPE 8 FRAME - WSDOT
 PART DETAILS

STANDARD PRODUCT
 CUSTOMER

DATE	SALES	DRAWN	ENGINEER	CHECKED	SALES ORDER
03/09/2017		MKC			

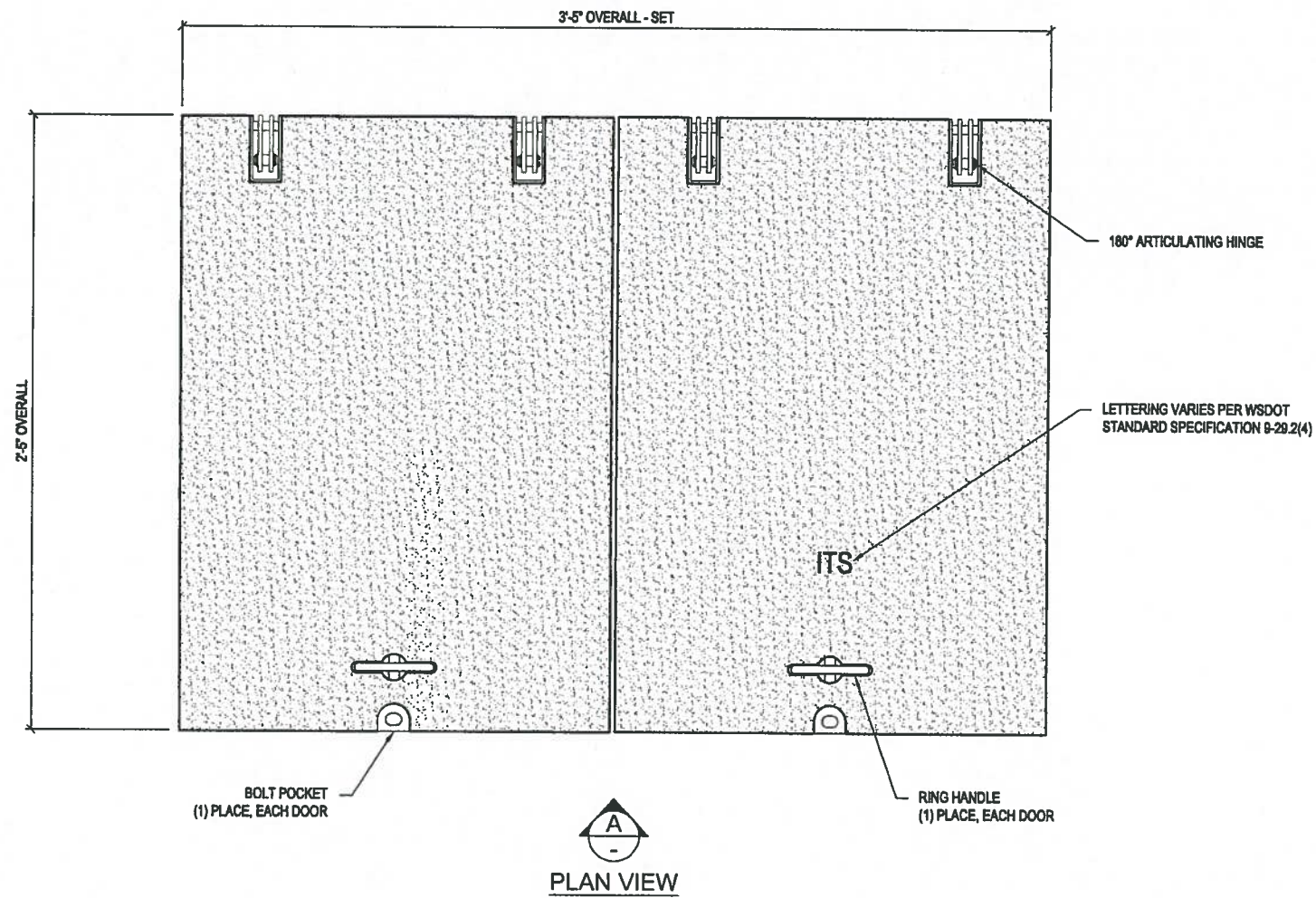
DRAWING NUMBER: 010-2980700-001
 REVISION B
 REV DATE 1/12/18
 SHEET 1 OF 1

STRUCTURAL NOTES

1. MATERIAL: ASTM A36 STRUCTURAL STEEL STANDARDS
2. ASSEMBLY: AWS D1.1 WELDING STANDARDS
3. COATING: ASTM A123 HOT-DIP GALVANIZING STANDARDS

GENERAL NOTES

1. FRAMES AVAILABLE TO USE WITH THIS COVER:
2980700 (TYPE 8 FRAME - WSDOT)



PLAN VIEW

VIEW A

ENGINEERS SEAL:

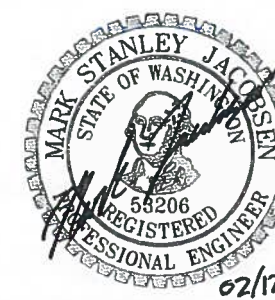
DOOR SHOP DRAWINGS REVIEWED FOR GENERAL CONFORMANCE TO THE INTENT OF WSDOT STANDARD PLAN J-40.30-04 ONLY. DOOR AND FRAME TO BE TESTED IN ACCORDANCE TO SECTION 9-29.2(5) OF THE WSDOT STANDARD SPECIFICATION TO ENSURE STRUCTURAL SUITABILITY.

APPROVED

Washington State Department of Transportation

HQ Traffic Operations Office

BY: [Signature] DATE: 3/20/2018



THIS DOCUMENT IS THE PROPERTY OF OLDCASTLE PRECAST, INC. IT IS CONFIDENTIAL. SUBMITTED FOR REFERENCE PURPOSES ONLY, AND SHALL NOT BE USED IN ANY WAY INJURIOUS TO THE INTERESTS OF, OR WITHOUT THE WRITTEN PERMISSION OF OLDCASTLE PRECAST, INC. COPYRIGHT © 2017 OLDCASTLE PRECAST, INC. ALL RIGHTS RESERVED.

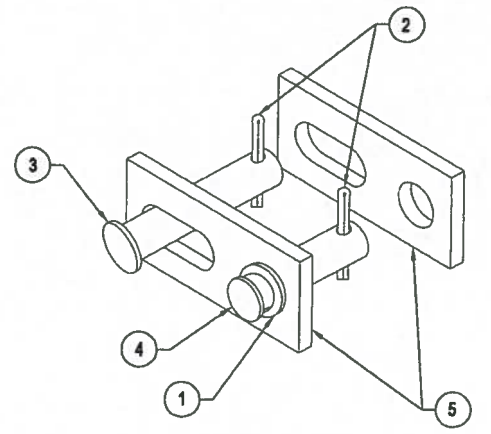
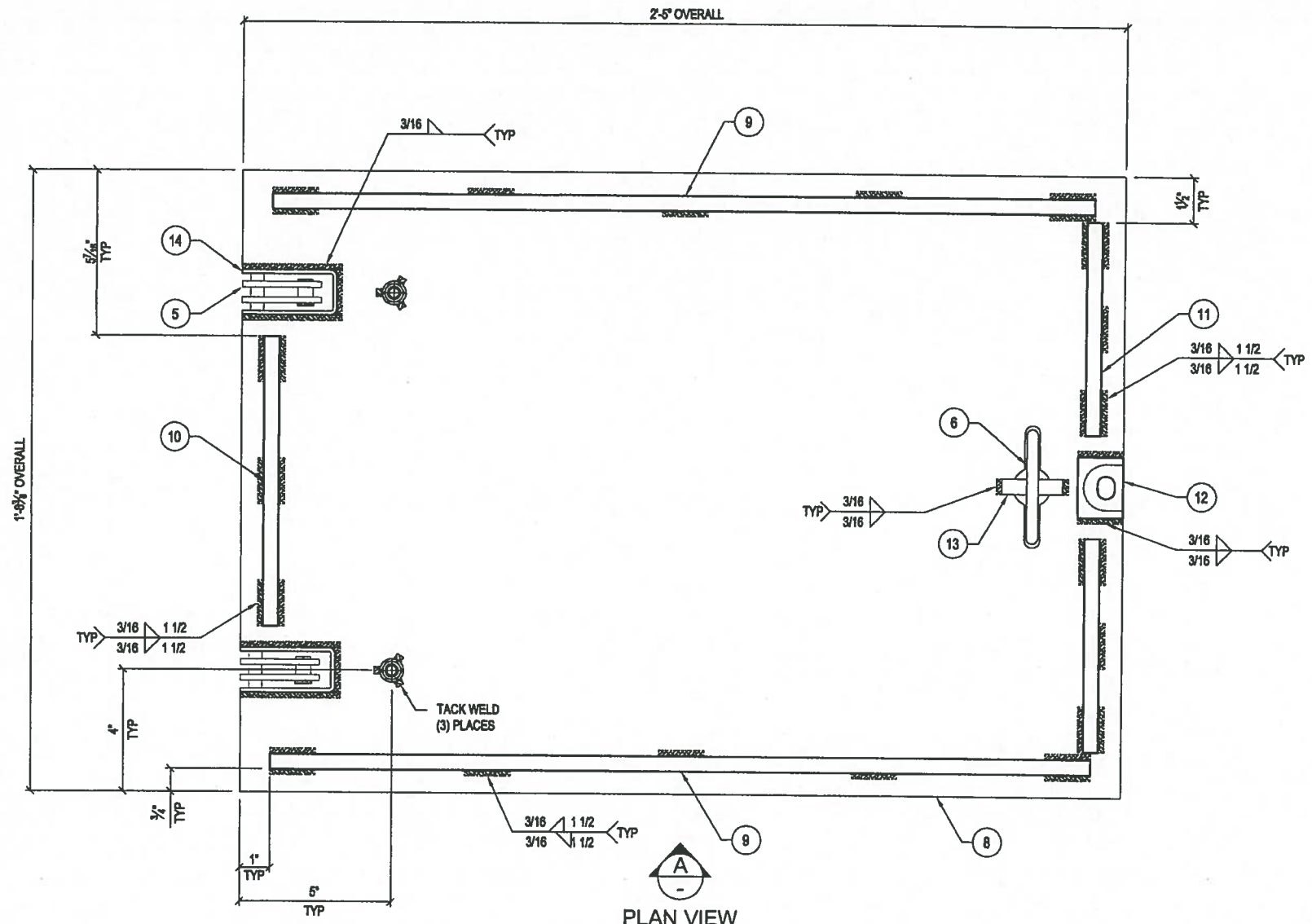
TYPE 8 NS COVER SET - WSDOT
CUSTOMER LAYOUT

STANDARD PRODUCT

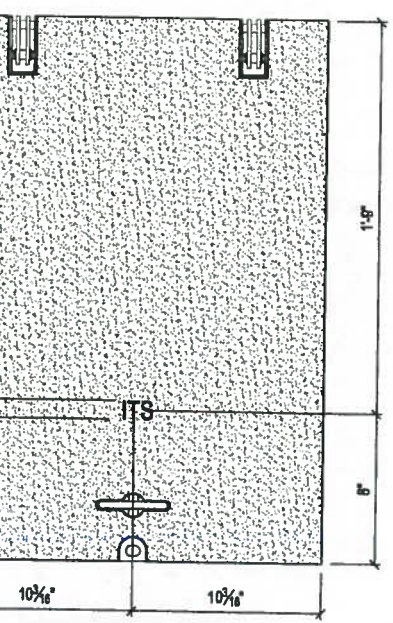
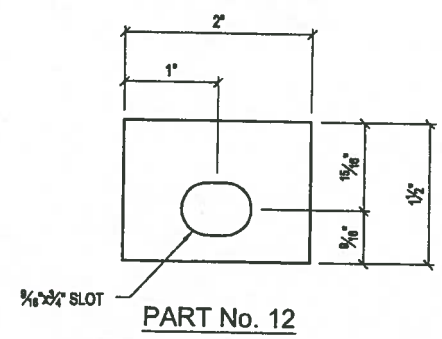
CUSTOMER

DATE	SALES	DRAWN	ENGINEER	CHECKED	SALES ORDER
03/07/2017		MKC			
DRAWING NUMBER		REVISION		SHEET	
010-2980720-001		B REV DATE 1/12/18		1 OF 2	

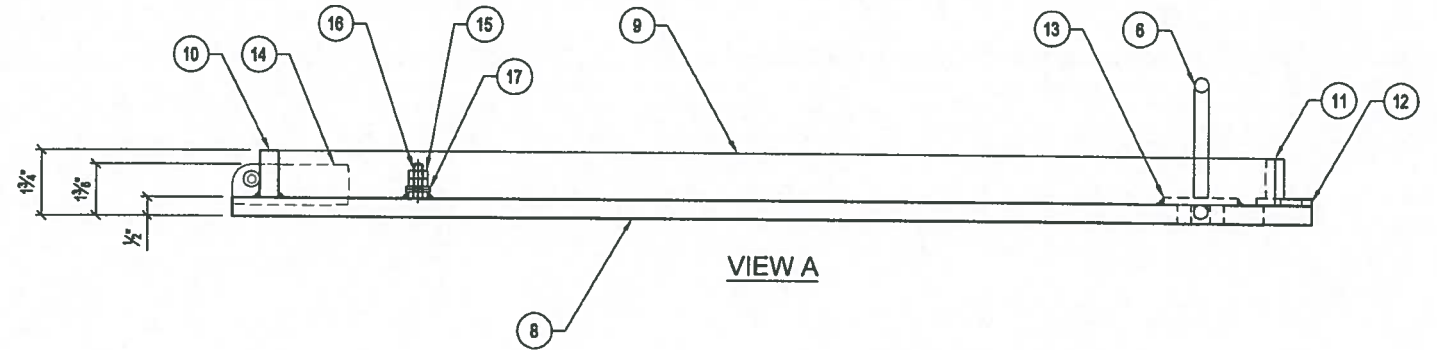
B	REVISED GENERAL NOTES FRAME NAME	CJC
REVISION	DESCRIPTION	BY



HINGE DETAIL



LETTERING DETAIL
ONE DOOR PER SET



VIEW A

- SHOP NOTES
- OVERALL DIMENSIONS HAVE A TOLERANCE OF $\pm 1/16$ "
 - ALL WELDS ARE $3/16$ " FILLET UNLESS OTHERWISE NOTED
 - GRIND ALL SHARP EDGES
 - COVER TO BE HOT DIPPED GALVANIZED AFTER FABRICATION
 - WEIGHT BEFORE GALVANIZING: 200 lbs / SET

QUANTITIES ARE FOR (2) DOORS (1) SET

#	QUANTITY	DESCRIPTION	ITEM #
1	4 ea	7/8" OD FLAT WASHER - SS - OPC	9820123
2	6 ea	5/32" x 1" COTTER PIN - SS - OPC	9820122
3	4 ea	7/16" x 2 1/4" HINGE PIN - SS	5182015
4	4 ea	1/2" x 1" HINGE PIN - SS	5182010
5	8 ea	HINGE SIDE MOD - SS	5182025
6	2 ea	RING HANDLE	5210090
8	2 ea	SLIPNOT PLATE 1/2" - TYPE 8 COVER PLATE	5541035
14	4 ea	HINGE POCKET	5310040
15	8 ea	1/4" -20 NC FINISHED HEX NUT - SS	5182027
16	4 ea	1/4" -20 NC x 1" 18-8 SCREW - SS	5182029
17	8 ea	1/4" 18-8 FLAT WASHER - SS	5182028
	27.45 lbs	FLATBAR 1/2" x 1 1/4"	5520190
	.32 lbs	FLATBAR 3/16" x 1 1/2"	5520050
	.11 lbs	FLATBAR 3/16" x 1/2"	5520025
	200 lbs	GALVANIZING PER LB	5800000

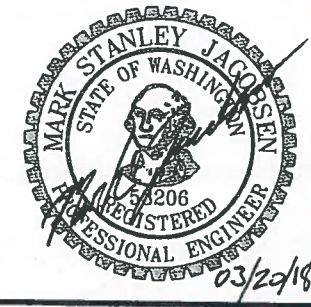
#	QUANTITY	DESCRIPTION	SIZE
9	4 ea	FLAT BAR 1/2" x 1 1/4"	27"
10	2 ea	FLAT BAR 1/2" x 1 1/4"	9 1/2"
11	4 ea	FLAT BAR 1/2" x 1 1/4"	7"
12	2 ea	FLATBAR 3/16" x 1 1/2"	SHIT 2
13	2 ea	FLATBAR 3/16" x 1/2"	2"

ENGINEERS SEAL:
DOOR SHOP DRAWINGS REVIEWED FOR GENERAL CONFORMANCE TO THE INTENT OF WSDOT STANDARD PLAN J-40.30-04 ONLY. DOOR AND FRAME TO BE TESTED IN ACCORDANCE TO SECTION 9-29.2(5) OF THE WSDOT STANDARD SPECIFICATION TO ENSURE STRUCTURAL SUITABILITY.



THIS DOCUMENT IS THE PROPERTY OF OLDCASTLE PRECAST, INC. IT IS CONFIDENTIAL, SUBMITTED FOR REFERENCE PURPOSES ONLY, AND SHALL NOT BE USED IN ANY WAY INJURIOUS TO THE INTERESTS OF, OR WITHOUT THE WRITTEN PERMISSION OF OLDCASTLE PRECAST, INC. COPYRIGHT © 2017 OLDCASTLE PRECAST, INC. ALL RIGHTS RESERVED.

TYPE 8 NS COVER SET - WSDOT ASSEMBLY AND WELD DETAILS					
STANDARD PRODUCT					
CUSTOMER					
DATE	SALES	DRAWN	ENGINEER	CHECKED	SALES ORDER
03/07/2017		MKC			
DRAWING NUMBER				REVISION	SHEET
010-2980720-001				C REV DATE 3/18/18	2 OF 2



APPROVED
Washington State Department of Transportation
HQ Traffic Operations Office
BY: *[Signature]* DATE: 3/20/2018

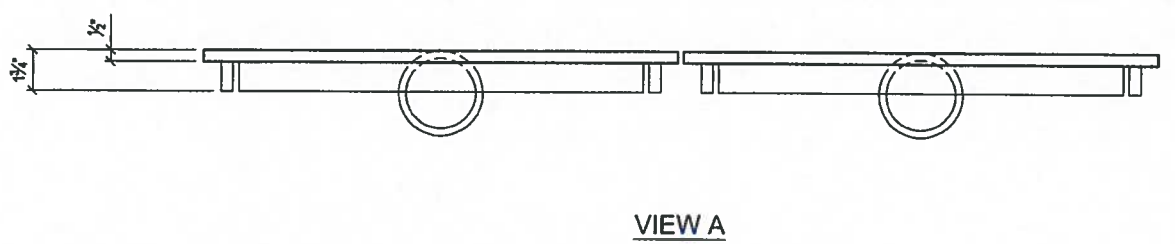
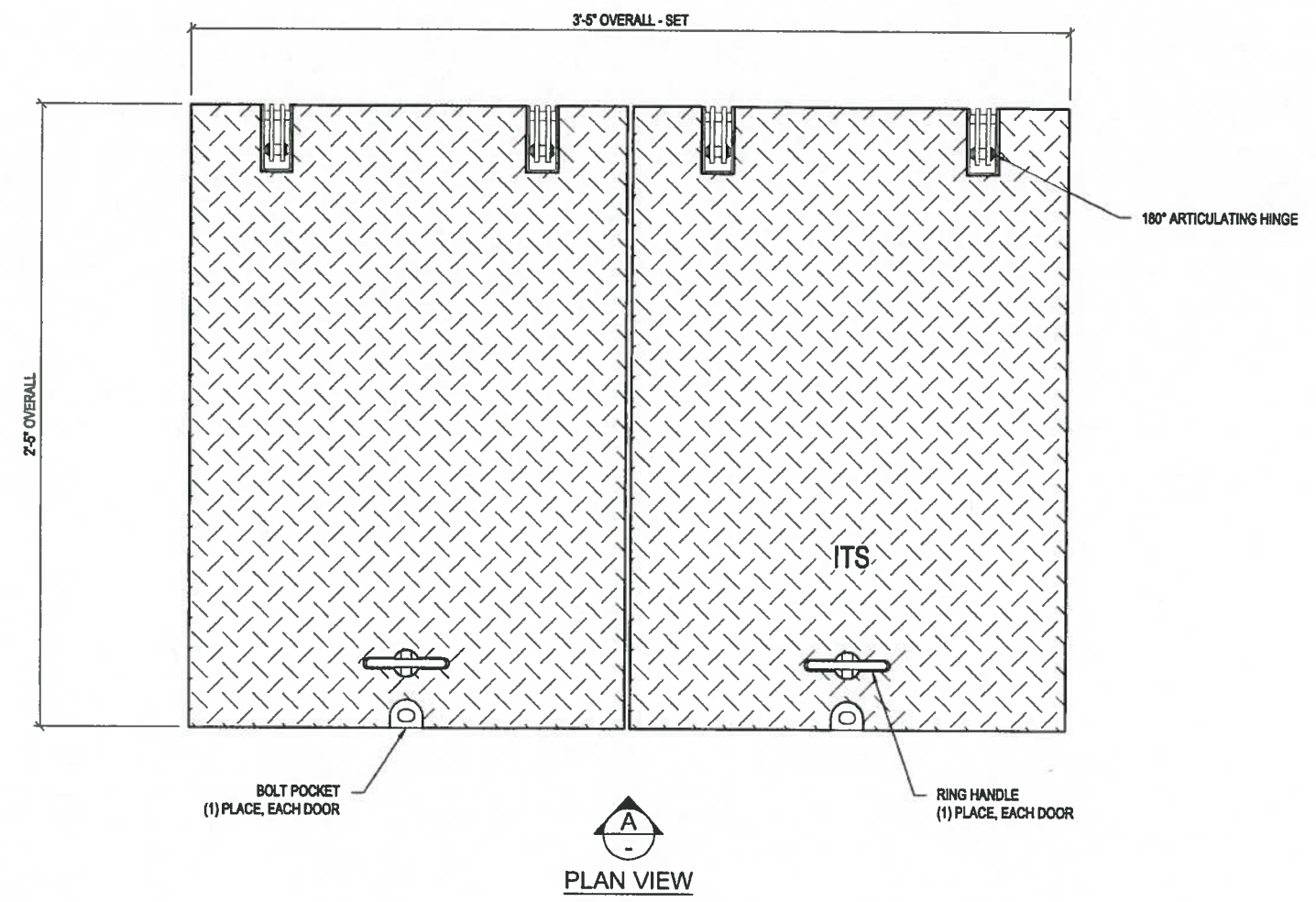
REVISION	DESCRIPTION	BY
C	ADDED TYP TO WELD CALLOUTS	CJC

STRUCTURAL NOTES

- MATERIAL: ASTM A786-1008 STRUCTURAL STEEL STANDARDS
- ASSEMBLY: AWS D1.1 WELDING STANDARDS
- COATING: ASTM A123 HOT-DIP GALVANIZING STANDARDS

GENERAL NOTES

- FRAMES AVAILABLE TO USE WITH THIS COVER:
2980700 (TYPE 8 FRAME - WSDOT)



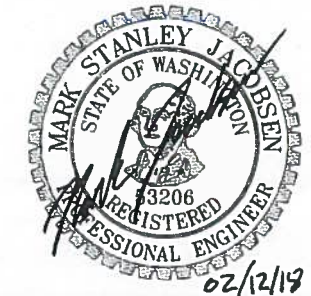
ENGINEERS SEAL:
DOOR SHOP DRAWINGS REVIEWED FOR GENERAL CONFORMANCE TO THE INTENT OF WSDOT STANDARD PLAN J-40.30-04 ONLY. DOOR AND FRAME TO BE TESTED IN ACCORDANCE TO SECTION 9-29.2(5) OF THE WSDOT STANDARD SPECIFICATION TO ENSURE STRUCTURAL SUITABILITY.



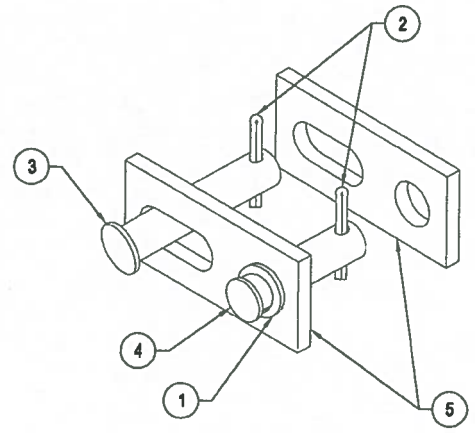
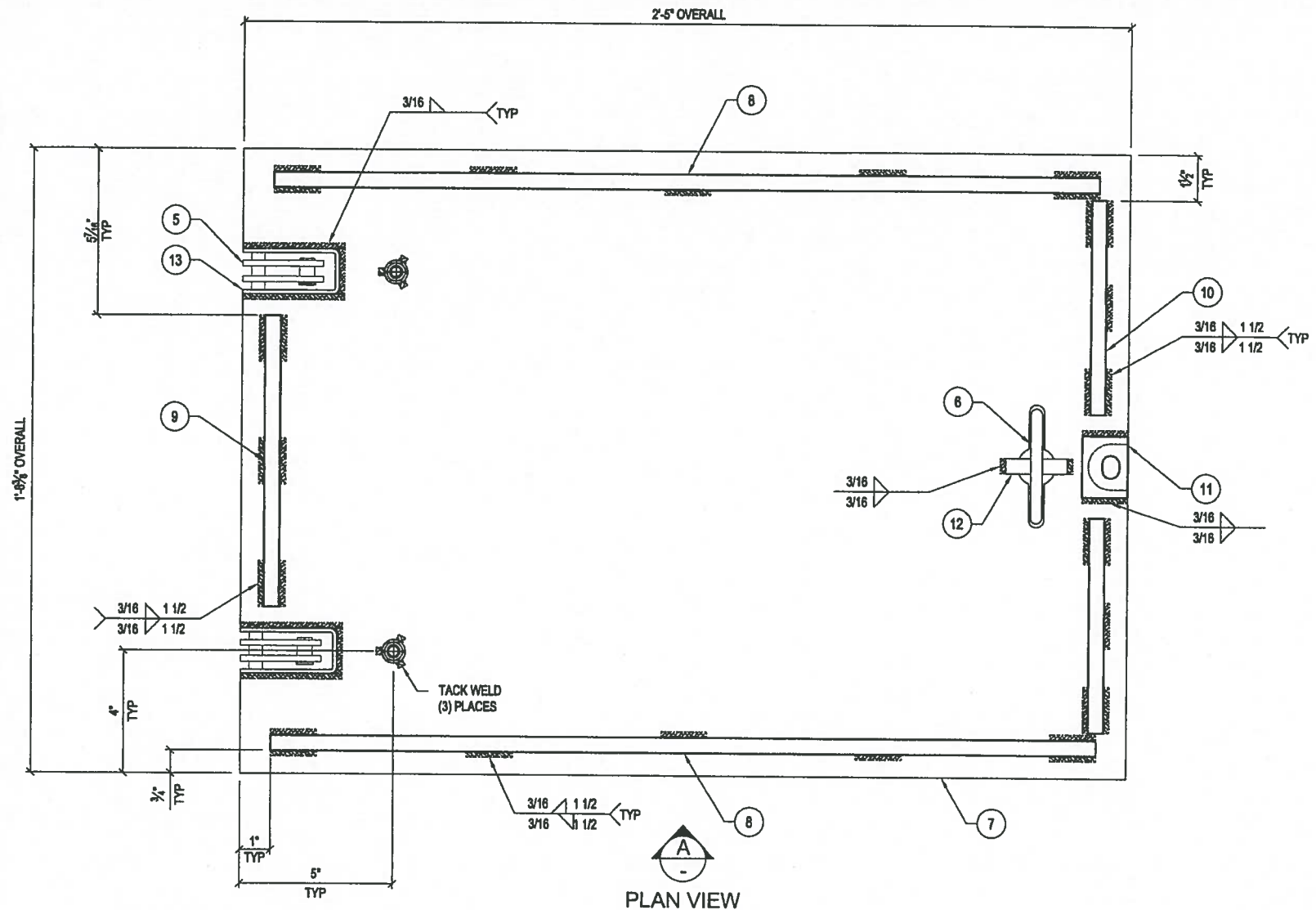
THIS DOCUMENT IS THE PROPERTY OF OLDCASTLE PRECAST, INC. IT IS CONFIDENTIAL, SUBMITTED FOR REFERENCE PURPOSES ONLY, AND SHALL NOT BE USED IN ANY WAY INJURIOUS TO THE INTERESTS OF, OR WITHOUT THE WRITTEN PERMISSION OF OLDCASTLE PRECAST, INC. COPYRIGHT © 2017 OLDCASTLE PRECAST, INC. ALL RIGHTS RESERVED.

TYPE 8 DP COVER SET - WSDOT					
CUSTOMER LAYOUT					
STANDARD PRODUCT					
CUSTOMER					
DATE	SALES	DRAWN	ENGINEER	CHECKED	SALES ORDER
02/23/2017		MKC			
DRAWING NUMBER				REVISION	SHEET
010-2980765-001				B REV DATE 2/8/2018	1 OF 2

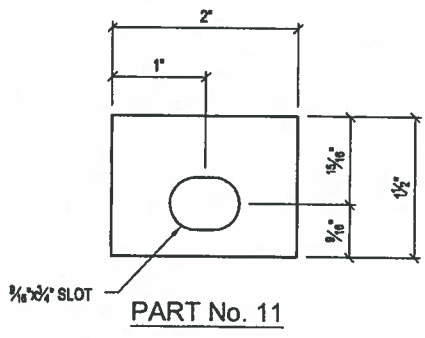
APPROVED
Washington State Department of Transportation
HQ Traffic Operations Office
BY: [Signature] DATE: 3/20/2018



B	REVISED MATERIAL NOTES FROM ASTM A36 TO ASTM A786-1008	CJC
REVISION	DESCRIPTION	BY

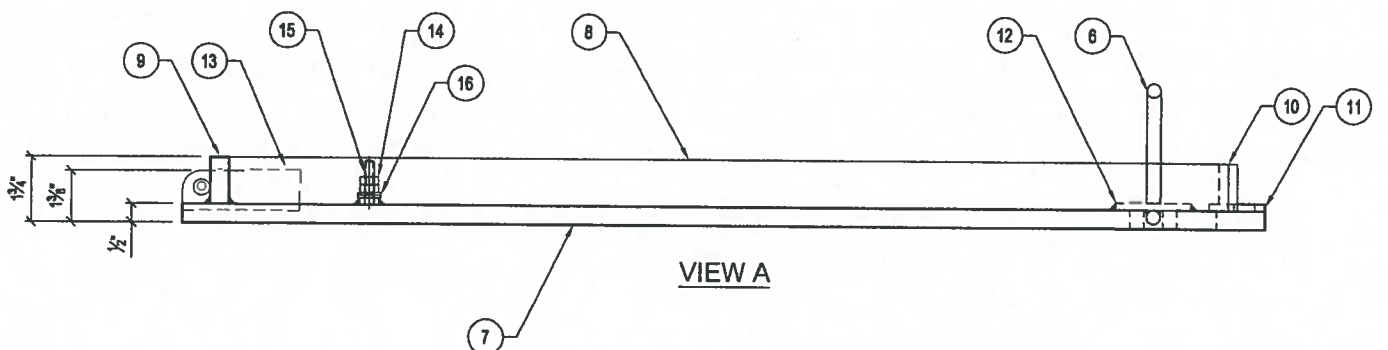


HINGE DETAIL

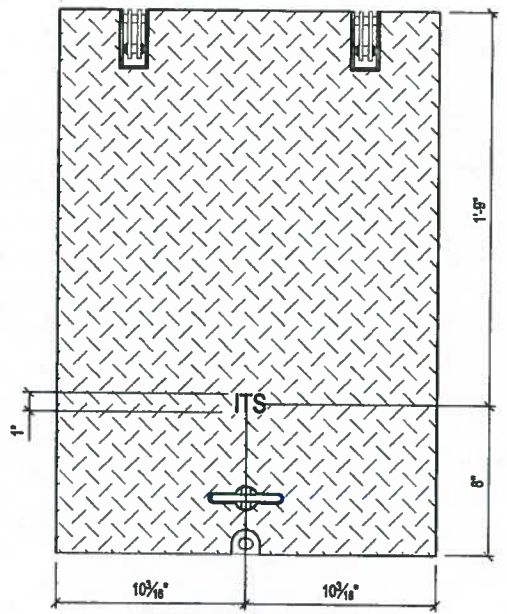


PART No. 11

PLAN VIEW



VIEW A



LETTERING DETAIL
ONE DOOR PER SET

- SHOP NOTES
- OVERALL DIMENSIONS HAVE A TOLERANCE OF $\pm 1/16"$
 - ALL WELDS ARE $3/16"$ FILLET UNLESS OTHERWISE NOTED
 - GRIND ALL SHARP EDGES
 - COVER TO BE HOT DIPPED GALVANIZED AFTER FABRICATION
 - WEIGHT BEFORE GALVANIZING: 200 lbs / SET

QUANTITIES ARE FOR (2) DOORS (1) SET

#	QUANTITY	DESCRIPTION	ITEM #
1	4 ea	7/8" OD FLAT WASHER - SS - OPC	9820123
2	8 ea	5/32" x 1" COTTER PIN - SS - OPC	9820122
3	4 ea	7/16" x 2 1/4" HINGE PIN - SS	5182016
4	4 ea	1/2" x 1" HINGE PIN - SS	5182010
5	8 ea	HINGE SIDE MOD - SS	5182025
6	2 ea	RING HANDLE	5210090
7	2 ea	DIAMOND PLATE 1/2" - TYPE 8 COVER PLATE	5541040
13	4 ea	HINGE POCKET	5310040
14	8 ea	1/4" -20 NC FINISHED HEX NUT - SS	5182027
15	4 ea	1/4" -20 NC x 1" 18-8 SCREW - SS	5182029
16	8 ea	1/4" 18-8 FLAT WASHER - SS	5182028
	27.54 lbs	FLATBAR 1/2" x 1 1/4"	5520190
	.32 lbs	FLATBAR 3/16" x 1 1/2"	5520050
	.11 lbs	FLATBAR 3/16" x 1/2"	5520025
	200 lbs	GALVANIZING PER LB	5800000

#	QUANTITY	DESCRIPTION	SIZE
8	4 ea	FLAT BAR 1/2" x 1 1/4"	27"
9	2 ea	FLAT BAR 1/2" x 1 1/4"	9 1/2"
10	4 ea	FLAT BAR 1/2" x 1 1/4"	7"
11	2 ea	FLATBAR 3/16" x 1 1/2"	SHT 2
12	2 ea	FLATBAR 3/16" x 1/2"	2"

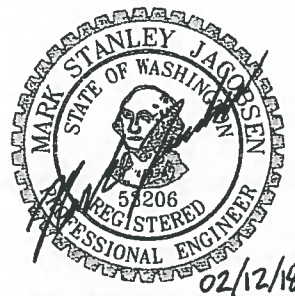
ENGINEERS SEAL:
DOOR SHOP DRAWINGS REVIEWED FOR GENERAL CONFORMANCE TO THE INTENT OF WSDOT STANDARD PLAN J-40.30-04 ONLY. DOOR AND FRAME TO BE TESTED IN ACCORDANCE TO SECTION 9-29.2(5) OF THE WSDOT STANDARD SPECIFICATION TO ENSURE STRUCTURAL SUITABILITY.



THIS DOCUMENT IS THE PROPERTY OF OLDCASTLE PRECAST, INC. IT IS CONFIDENTIAL, SUBMITTED FOR REFERENCE PURPOSES ONLY, AND SHALL NOT BE USED IN ANY MANNER UNLESS THE INTERESTS OF, OR WITHOUT THE WRITTEN PERMISSION OF OLDCASTLE PRECAST, INC. COPYRIGHT © 2017 OLDCASTLE PRECAST, INC. ALL RIGHTS RESERVED.

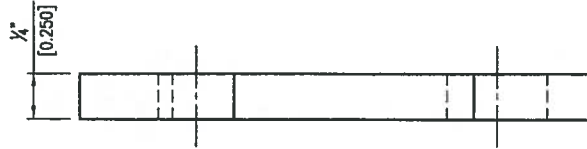
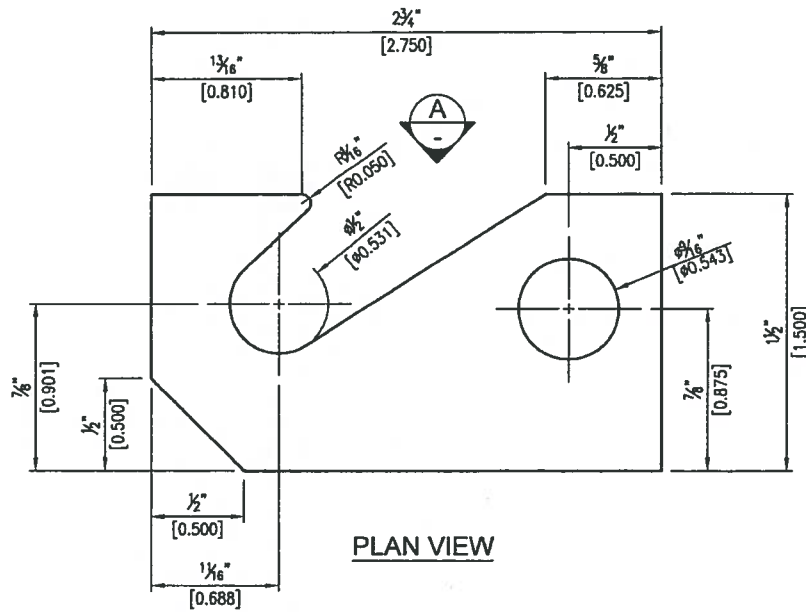
TYPE 8 DP COVER SET - WSDOT
ASSEMBLY AND WELD DETAILS

DATE	SALES	DRAWN	ENGINEER	CHECKED	SALES ORDER
02/23/2017		MKC			
DRAWING NUMBER					REVISION
010-2980765-001					B
REV DATE					SHEET
1/12/18					2 OF 2



APPROVED
Washington State Department of Transportation
HQ Traffic Operations Office
BY: *[Signature]* DATE: 3/20/2018

REVISION	DESCRIPTION	BY
B	REVISED BOM, UPDATED HINGE DETAIL	CJC



NOTES

1. MATERIAL: ASTM A1018 STRUCTURAL STEEL STANDARDS
1/4" HOT ROLLED STEEL, GRADE 36
2. USED ON: 38/25 CAST-IN FRAME, 3030 CAST-IN FRAME,
2436 FRAME, 3-2436 FRAME, WSDOT TYPE 8
3. WEIGHT: 0.21 lbs
4. TOLERANCE: ± .030

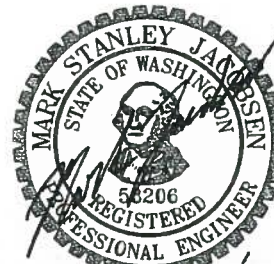
PLAN VIEW

VIEW A

APPROVED

Washington State Department of Transportation
HQ Traffic Operations Office

BY: [Signature] DATE: 3/20/2018



THIS DOCUMENT IS THE PROPERTY OF OLDCASTLE PRECAST, INC. IT IS CONFIDENTIAL, SUBMITTED FOR REFERENCE PURPOSES ONLY, AND SHALL NOT BE USED IN ANY WAY INJURIOUS TO THE INTERESTS OF, OR WITHOUT THE WRITTEN PERMISSION OF OLDCASTLE PRECAST, INC. COPYRIGHT © 2014 OLDCASTLE PRECAST, INC. ALL RIGHTS RESERVED.

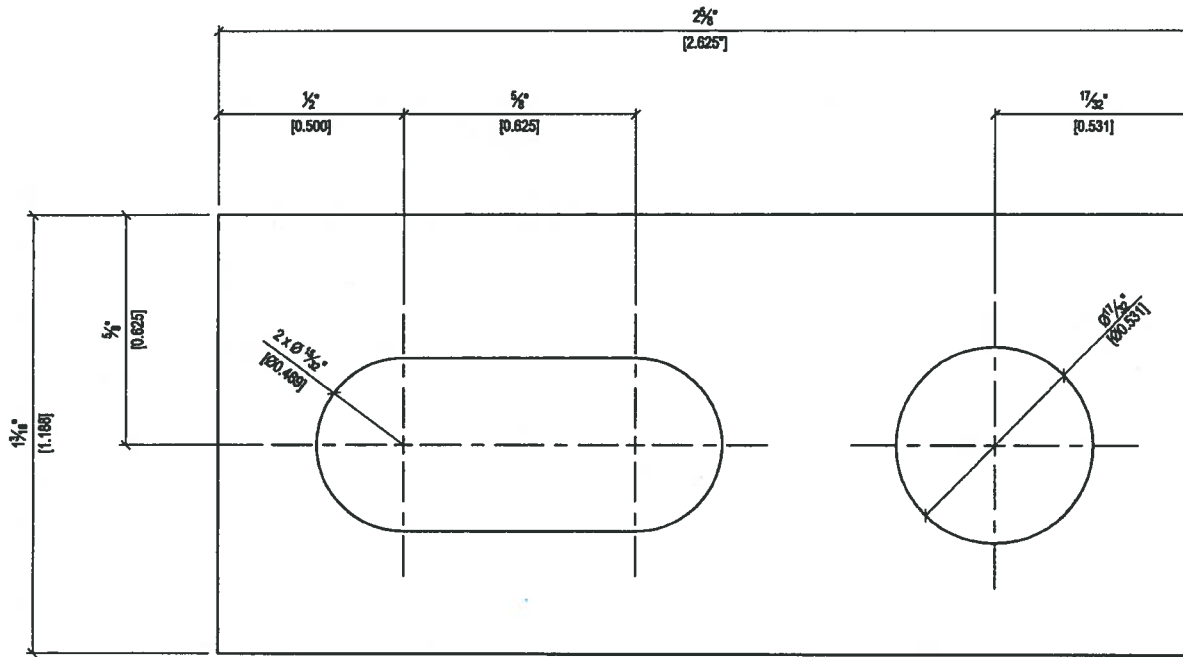
HINGE PLATE - NO GUSSET - VENDOR SUPPLIED
DOMESTIC MATERIAL REQUIRED

STANDARD PRODUCT (A12-160)

CUSTOMER

DATE	SALES	DRAWN	ENGINEER	CHECKED	SALES ORDER
10/17/16		CAS			
DRAWING NUMBER				REVISION	SHEET
010-5210600-001				E REV DATE 10/17/16	1 OF 1

REVISION	DESCRIPTION	BY
E	UPDATED DRAWING FORMAT	CAS



PLAN VIEW

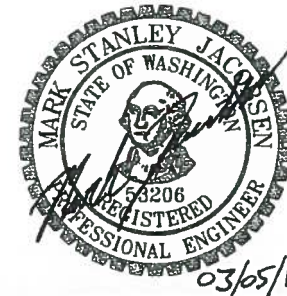
NOTES


1. MATERIAL: 3/8" THICK, ASTM A304 STAINLESS STEEL
2. USED ON: WSDOT TYPE 8
3. TOLERANCE: ± .030

APPROVED

Washington State Department of Transportation
 HQ Traffic Operations Office

BY: [Signature] DATE: 3/20/2018





Oldcastle Precast®
 P.O. BOX 680 ALBUQU, WA 98071-0280
 PHONE: 800-882-1838 FAX: 253-736-4201

THIS DOCUMENT IS THE PROPERTY OF OLDCASTLE PRECAST, INC. IT IS CONFIDENTIAL, SUBMITTED FOR REFERENCE PURPOSES ONLY, AND SHALL NOT BE USED IN ANY WAY INJURIOUS TO THE INTERESTS OF, OR WITHOUT THE WRITTEN PERMISSION OF OLDCASTLE PRECAST, INC. COPYRIGHT © 2018 OLDCASTLE PRECAST, INC. ALL RIGHTS RESERVED.

HINGE SIDE MOD. - SS
 DOMESTIC MATERIAL REQUIRED
 STANDARD PRODUCT

CUSTOMER

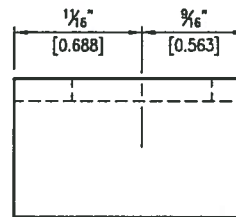
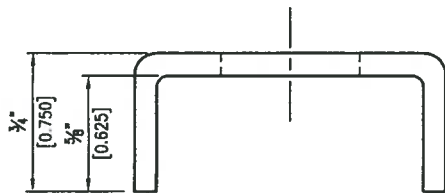
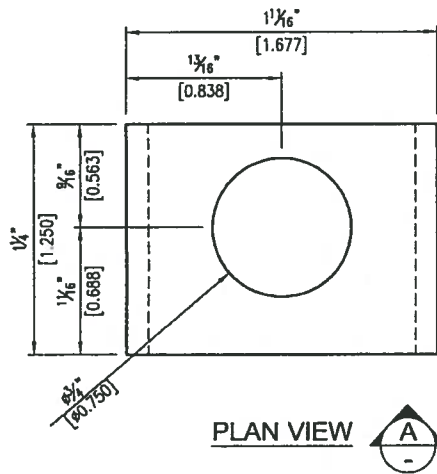
DATE	SALES	DRAWN	ENGINEER	CHECKED	SALES ORDER
1/12/18		CJC			

DRAWING NUMBER

010-5182025-001

REVISION	REVISION DATE	SHEET
		1 OF 1

REVISION	DESCRIPTION	BY



NOTES

1. MATERIAL: ASTM A1011 STRUCTURAL STEEL STANDARDS
11 GA MILD STEEL, GRADE A36
2. WEIGHT: 0.12 lbs
3. TOLERANCE: ± 0.30

APPROVED

Washington State Department of Transportation
HQ Traffic Operations Office

BY: [Signature] DATE: 3/20/2018



Oldcastle Precast®

P.O. BOX 698 ALBUQU, N.M. 80071-0698
PHONE: 800-882-1530 FAX: 203-735-4201

THIS DOCUMENT IS THE PROPERTY OF OLDCASTLE PRECAST, INC. IT IS CONFIDENTIAL, SUBMITTED FOR REFERENCE PURPOSES ONLY, AND SHALL NOT BE USED IN ANY WAY INJURIOUS TO THE INTERESTS OF, OR WITHOUT THE WRITTEN PERMISSION OF OLDCASTLE PRECAST, INC. COPYRIGHT © 2014 OLDCASTLE PRECAST, INC. ALL RIGHTS RESERVED.

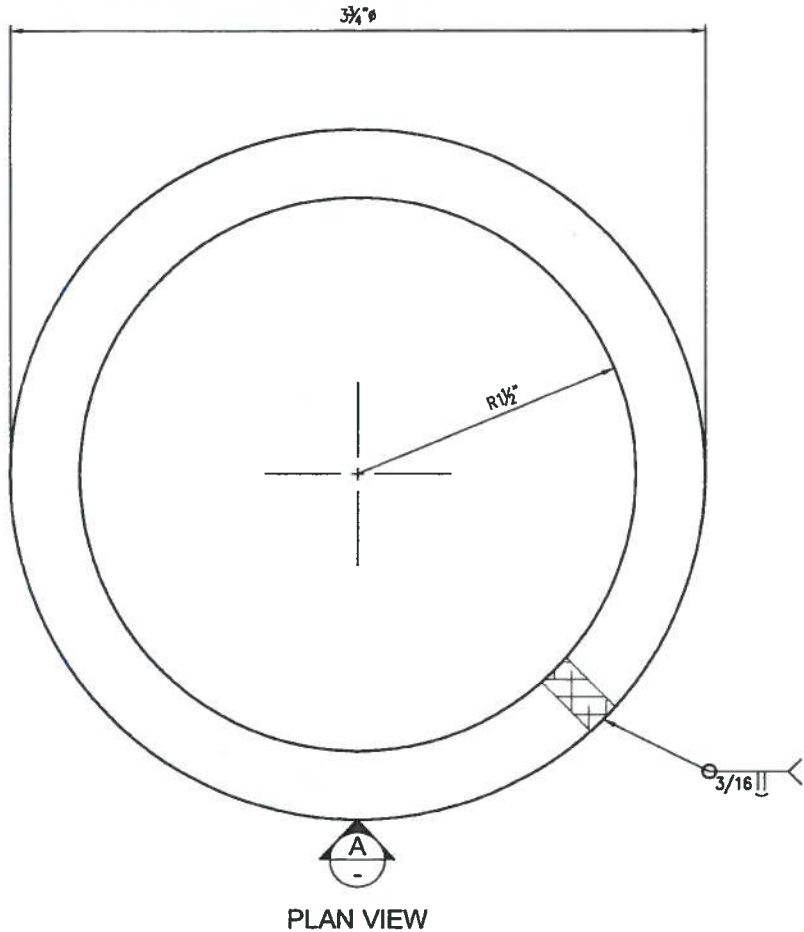
BOLT POCKET - VENDOR SUPPLIED
DOMESTIC MATERIAL REQUIRED

STANDARD PRODUCT (A12-275)

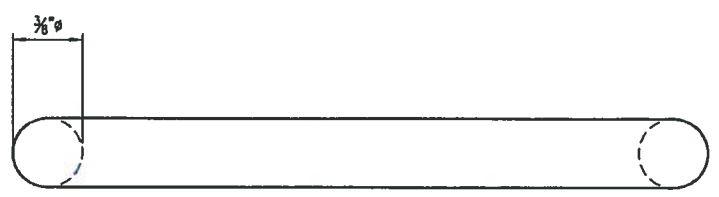
CUSTOMER

DATE	SALES	DRAWN	ENGINEER	CHECKED	SALES ORDER
10/27/16		CAS			
DRAWING NUMBER				REVISION	SHEET
010-5310130-001				B	1 OF 1
				REV DATE	
				10/27/16	

B	UPDATED DRAWING FORMAT	CAS
REVISION	DESCRIPTION	BY



PLAN VIEW



VIEW A

SHOP NOTES

1. MATERIAL: 3/8" ASTM A108 STEEL
2. OVERALL DIMENSIONS HAVE A TOLERANCE OF ± 1/16"
3. GRIND ALL SHARP EDGES
4. WEIGHT: 0.33 lbs

APPROVED

Washington State Department of Transportation
 HQ Traffic Operations Office

BY: [Signature] DATE: 3/20/2018

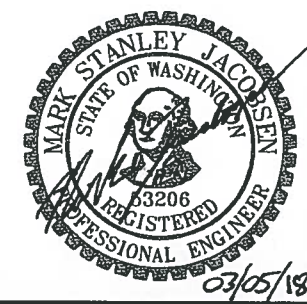


THIS DOCUMENT IS THE PROPERTY OF OLDCASTLE PRECAST, INC. IT IS CONFIDENTIAL, SUBMITTED FOR REFERENCE PURPOSES ONLY, AND SHALL NOT BE USED IN ANY WAY INJURIOUS TO THE INTERESTS OF, OR WITHOUT THE WRITTEN PERMISSION OF OLDCASTLE PRECAST, INC. COPYRIGHT © 2014 OLDCASTLE PRECAST, INC. ALL RIGHTS RESERVED.

RING HANDLE

STANDARD PRODUCT

CUSTOMER					
DATE	SALES	DRAWN	ENGINEER	CHECKED	SALES ORDER
12/10/14		WS			
DRAWING NUMBER				REVISION	SHEET
010-5210090-001				REV DATE	1 OF 1



REVISION	DESCRIPTION	BY