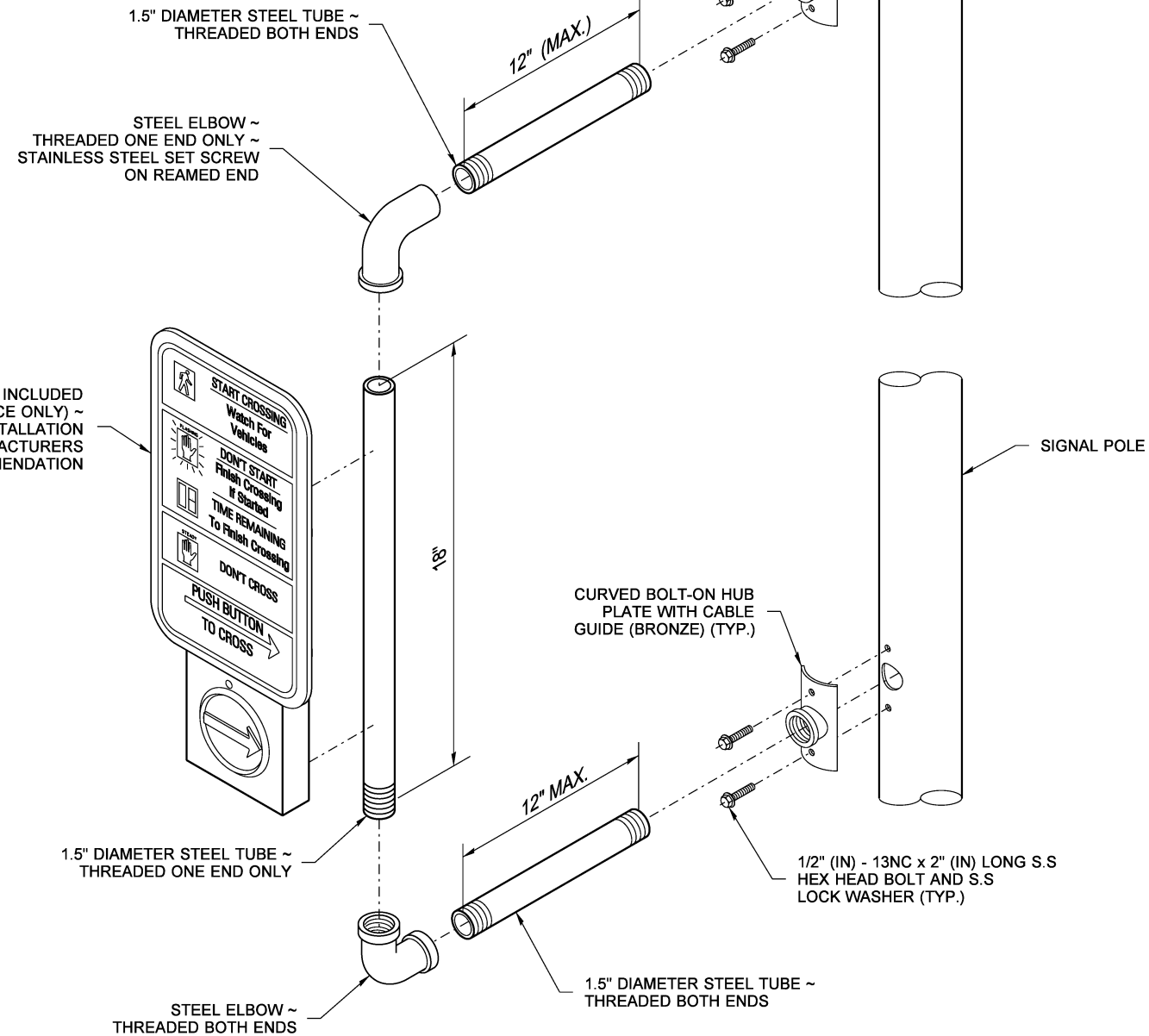


ELEVATION VIEW

ELEVATION VIEW WITH APS INSTALLED

APS PUSHBUTTON NOT INCLUDED (SHOWN FOR REFERENCE ONLY) ~ HARDWARE AND INSTALLATION PER MANUFACTURERS RECOMMENDATION



EXPLODED VIEW

NOTE

See **Standard Specification Section 9-29.17** for additional material requirements, including painting of all pipes, elbows, and hub plates.

APS PPB EXTENSION DETAIL

FILE NAME		S:\Design R P& S\4-Standards\2-Plan Sheet Library\02-PSL Work in Progress\Fern\IS-2) APS PPB Extension Detail\IS-2) Preliminary.dgn										Plot 1	
TIME		11:33:53 AM		REGION NO.		STATE		FED.AID PROJ.NO.				PLAN REF NO	
DATE		8/30/2018		10		WASH						IS-2	
PLOTTED BY		liddelf		JOB NUMBER						SHEET			
DESIGNED BY				CONTRACT NO.		LOCATION NO.				1			
ENTERED BY				DATE		DATE				OF			
CHECKED BY				BY		P.E. STAMP BOX				1			
PROJ. ENGR.				REVISION		P.E. STAMP BOX				SHEETS			
REGIONAL ADM.				DATE		DATE				1			

