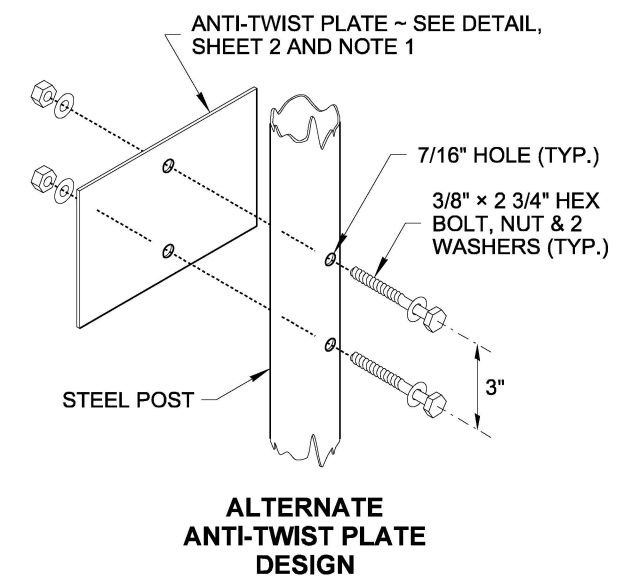


STEEL POST ASSEMBLY DETAIL

| STEEL POST FASTENERS | | | |
|--------------------------|----------|---------|----------|
| SIZE / TYPE | QUANTITY | WASHERS | LOCKNUTS |
| 3/8" DIAM. x 2 3/4" BOLT | 2 | 4 | 2 |
| 3/8" DIAM. x 3/4" BOLT | 4 | 8 | 4 |
| 3/16" DIAM. x 1" SCREW | 6 | 12 | 6 |
| 1 7/8" M-CLAMP | 2 | 4 | 4 |

NOTES

- The anchoring system shall meet MASH crash test criteria. The anti-twist plate anchoring system shown on this plan is deemed MASH compliant by WSDOT.
The V-Wing socket and wedge assembly in a concrete base shown on **Std. Plan H-70.20** is also deemed MASH compliant by WSDOT and may be substituted in lieu of the anti-twist plate designs shown.
Other MASH compliant anchoring systems manufactured by or recommended by the Type 1 support manufacturer are allowed to be used in lieu of the anti-twist plate or V-wing socket and wedge assembly.
- The platform design shown on this plan features slots that accommodate several types of mailbox supports; only those slots necessary for assembling the type being installed are required. An adjustable platform may be used in lieu of this design, but it must fit the bracket design shown on this plan. Brackets are required for all single-post installations. Field drilling may be necessary.
- Center the mailbox on the platform to ensure space for the mailbox door to open and to allow space for installing the fasteners (see ALIGNMENT DETAIL, Sheet 2). Spacing of mailbox mounting holes varies among manufacturers. Attachment of the mailbox to the platform may require drilling additional holes through the mailbox to fit the platform.
- Attach a newspaper box to a steel post with two 1 7/8" (in) Muffler Clamps spaced 4" (in) apart. Field drill 7/16" (in) holes in the newspaper box to fit. Newspaper boxes must not extend beyond the front of the mailbox when the mailbox door is closed.
- A Type 2 Support (**Standard Plan H-70.20**) is required when 2 or more mailboxes are to be installed on one support.



ALTERNATE ANTI-TWIST PLATE DESIGN



Aug 17, 2021

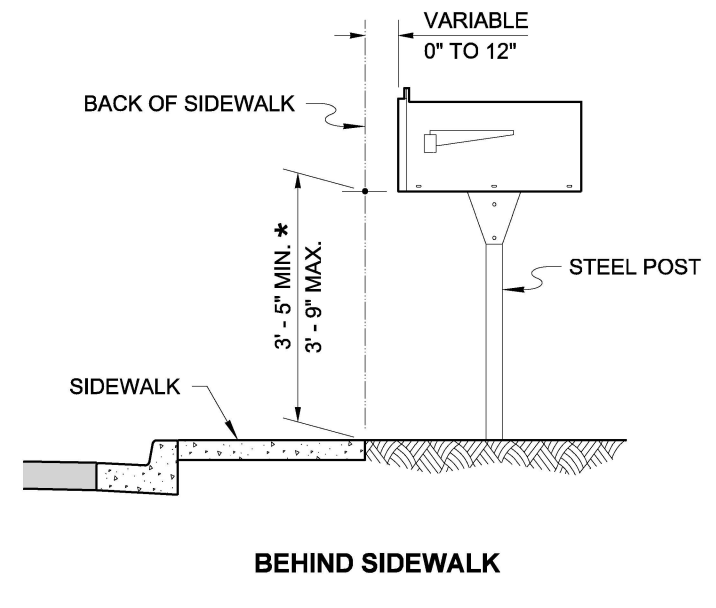
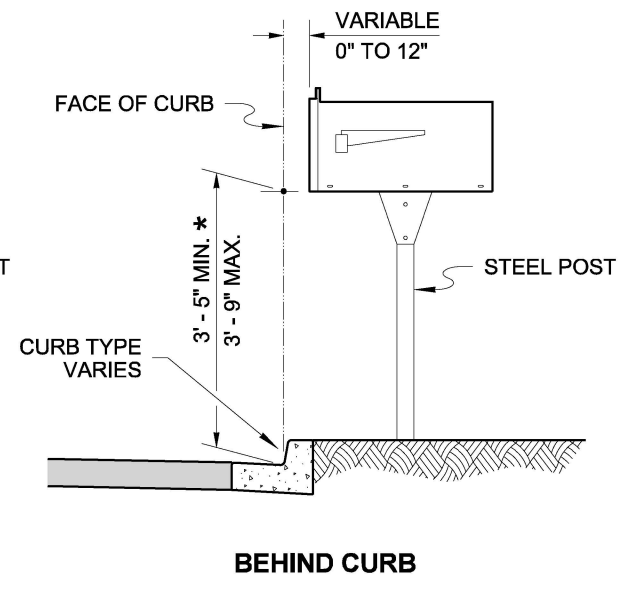
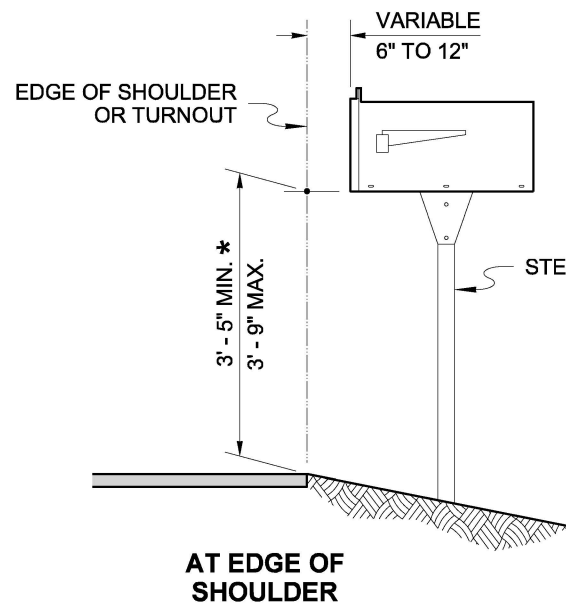
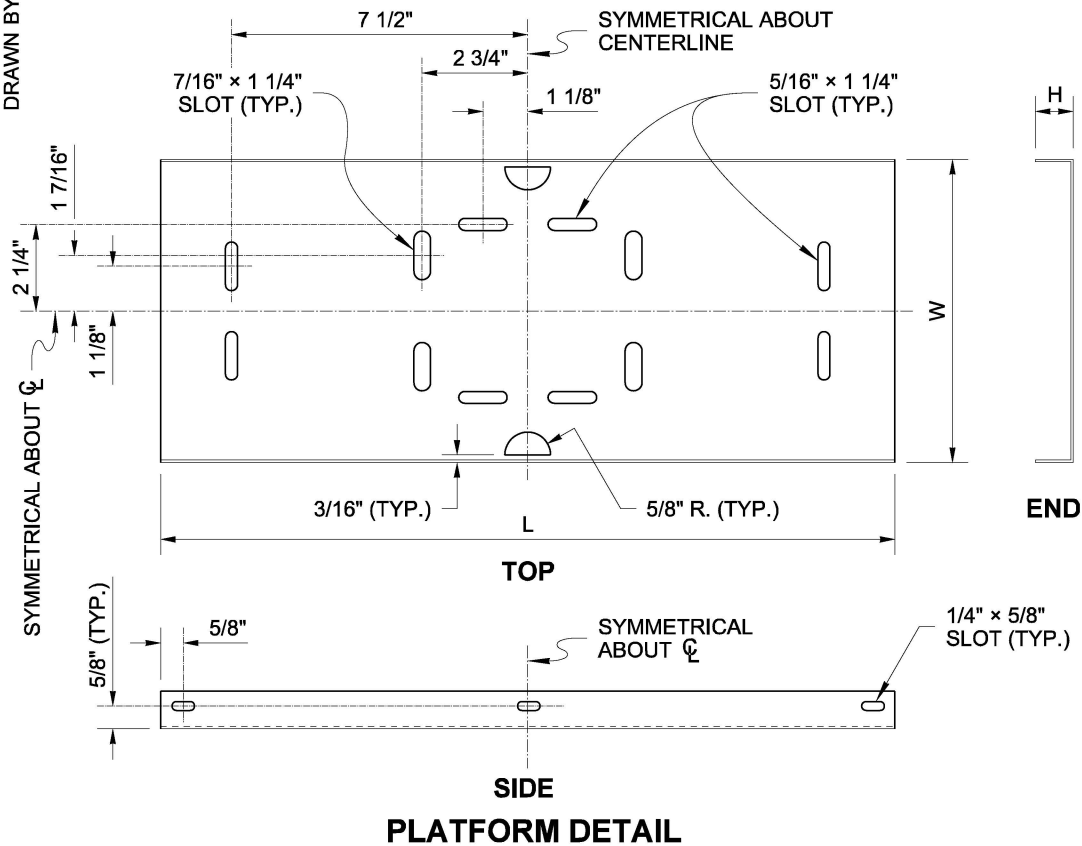
**MAILBOX SUPPORT
TYPE 1
STANDARD PLAN H-70.10-02**

SHEET 1 OF 2 SHEETS

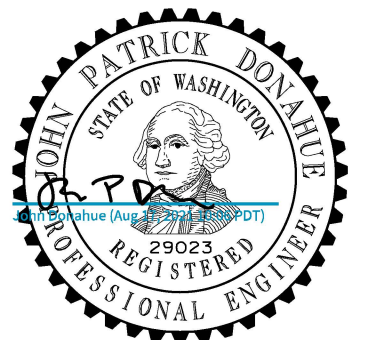
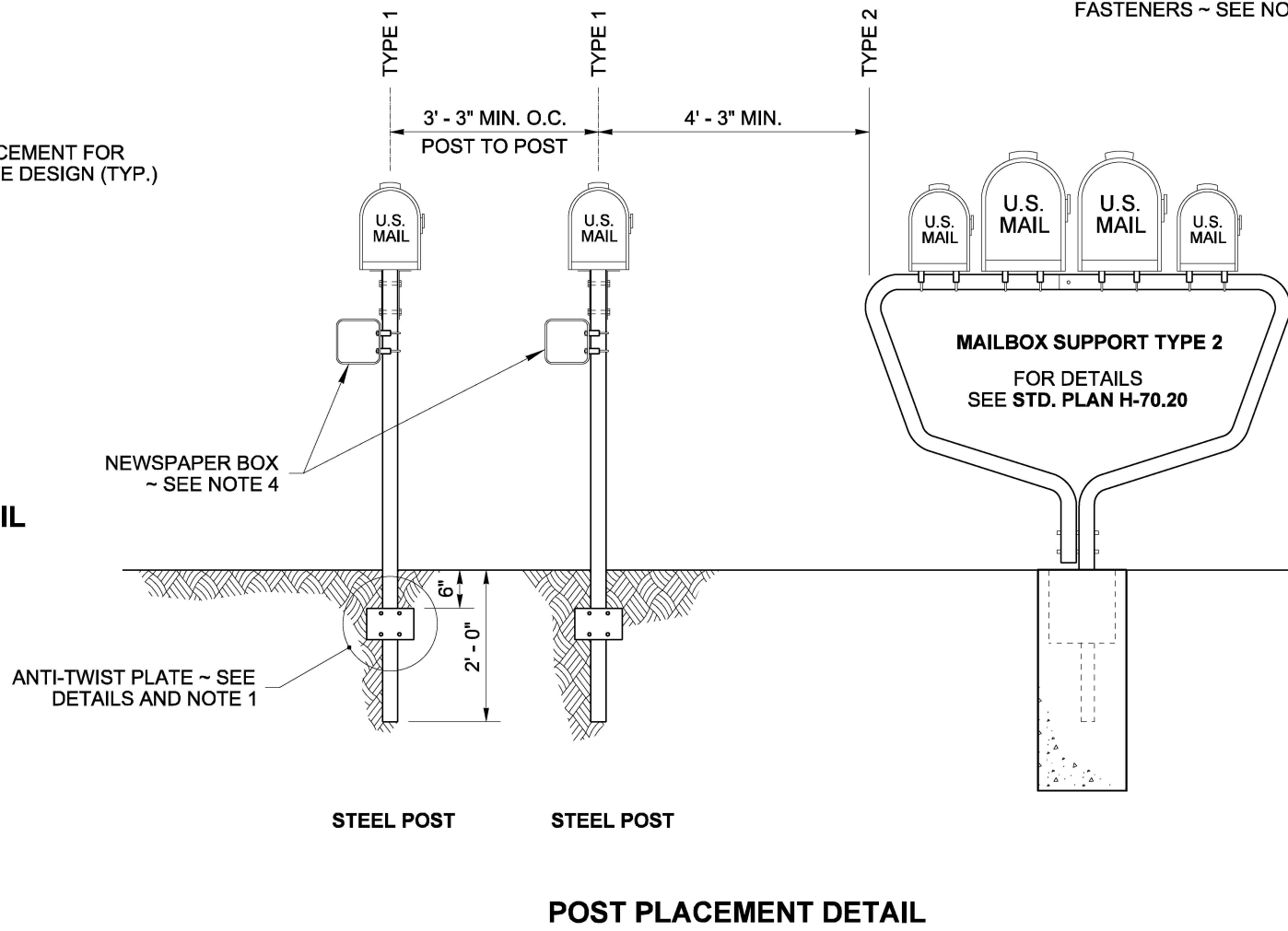
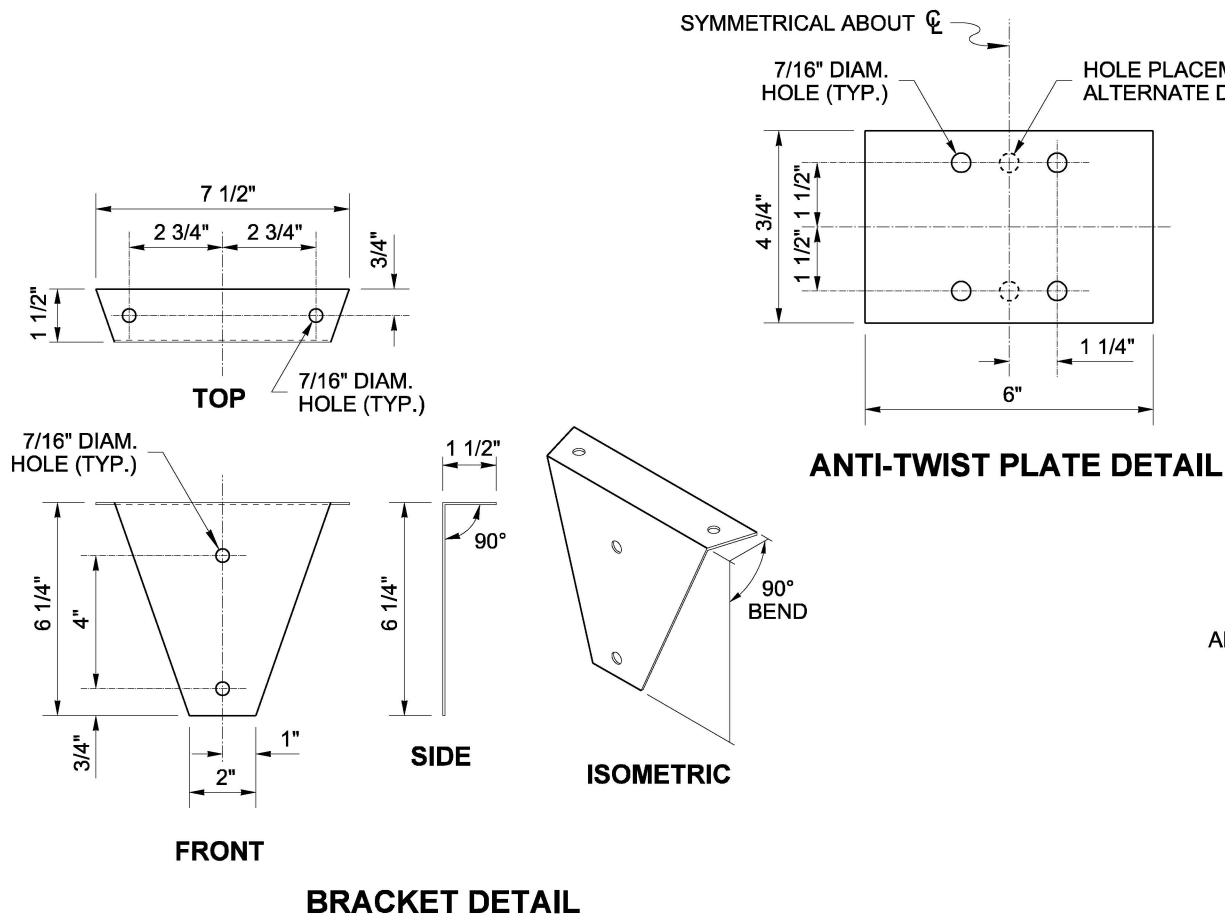
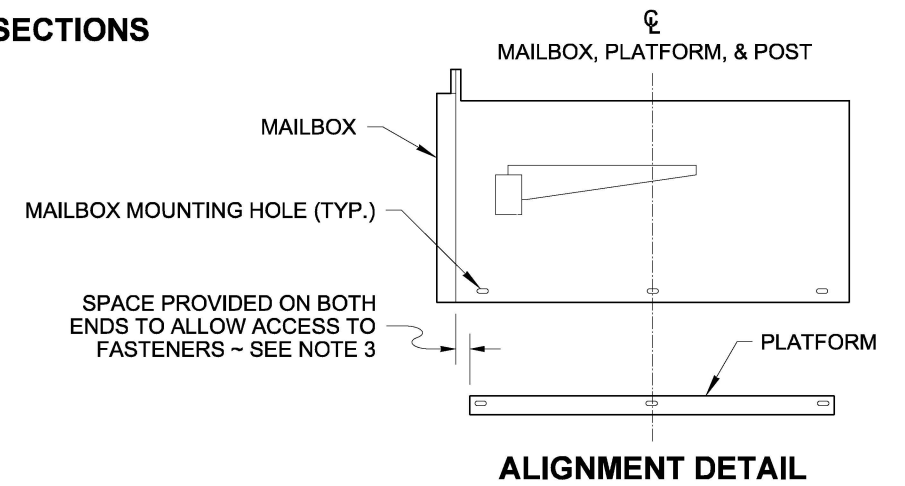
| | |
|---|--------------|
| APPROVED FOR PUBLICATION | Aug 17, 2021 |
| STATE DESIGN ENGINEER | |
| Washington State Department of Transportation | |

DRAWN BY: MARK SUJKA

| MAILBOX & PLATFORM DIMENSIONS | | | | | | |
|-------------------------------|--------------------|---------|---------|---------------------|--------|----|
| SIZE | MAILBOX DIMENSIONS | | | PLATFORM DIMENSIONS | | |
| | L | W | H | L | W | H |
| 1 | 19" | 6 1/2" | 8 1/2" | 17" | 6" | 1" |
| 1A | 21" | 8" | 10 1/2" | 19" | 7 1/2" | 1" |
| 2 | 24" | 11 1/2" | 13 1/2" | 21" | 11" | 1" |



* UNLESS OTHERWISE SHOWN IN THE PLANS
MAILBOX PLACEMENT SECTIONS



Aug 17, 2021

MAILBOX SUPPORT TYPE 1
STANDARD PLAN H-70.10-02
 SHEET 2 OF 2 SHEETS

APPROVED FOR PUBLICATION
 [Signature]
 Aug 17, 2021
 STATE DESIGN ENGINEER
 Washington State Department of Transportation