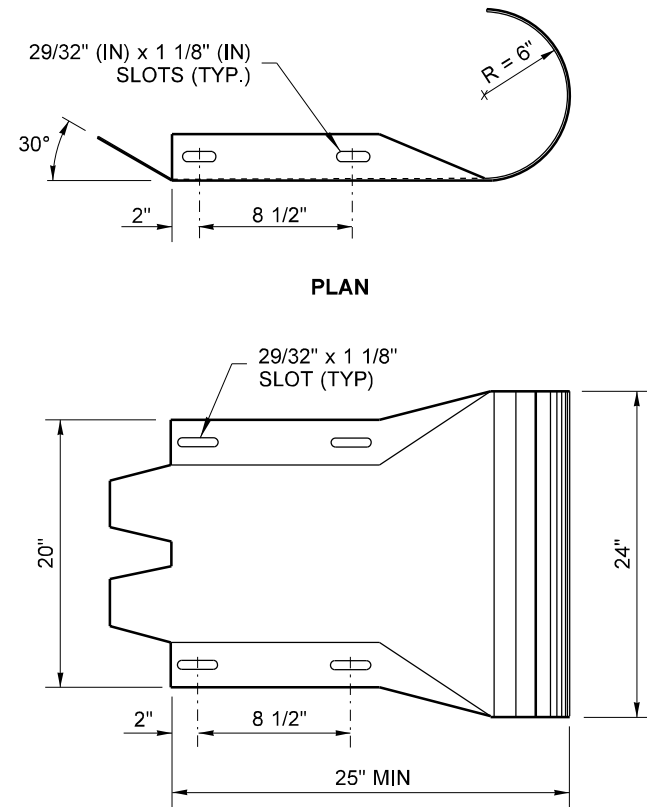
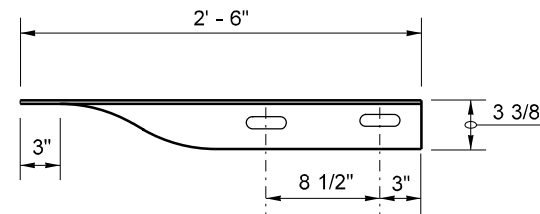


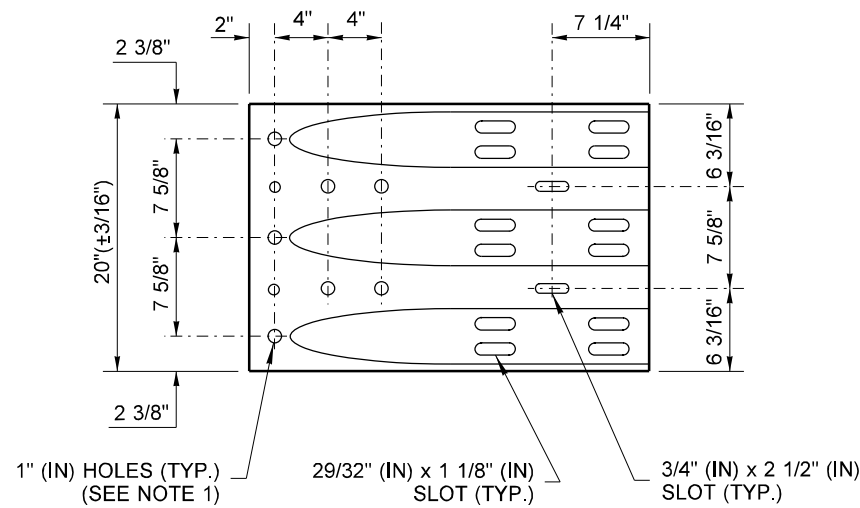
DRAWN BY: FERN LIDDELL



**ELEVATION
DESIGN C (THRIE BEAM)**



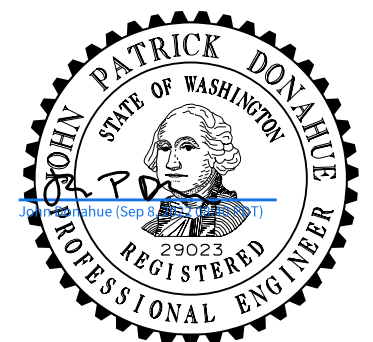
PLAN



**ELEVATION
DESIGN F (THRIE BEAM)
(SEE NOTE 2)**

NOTES

1. Attach guardrail to bridge rail or concrete barrier with 7/8" (in) diameter bolts (five minimum) **Standard Specification Section 9-06.5(4)**, with thin slab ferrule inserts or resin bonded anchors. See the Contract Plans.
2. In cases where Design F End Section is lapped on the outside of the guardrail, a galvanized 1" (in) ID, 2" (in) OD, 0.134" (in) thick, narrow Type A Plain Washer or an anchor rail washer will be placed under the splice bolt heads.



Sep 8, 2022

**THRIE BEAM
END SECTIONS**

STANDARD PLAN C-7a

SHEET 1 OF 1 SHEET

APPROVED FOR PUBLICATION

Mark Gaines
Mark Gaines (Sep 8, 2022 10:13 PDT)

Sep 8, 2022

STATE DESIGN ENGINEER



Washington State Department of Transportation