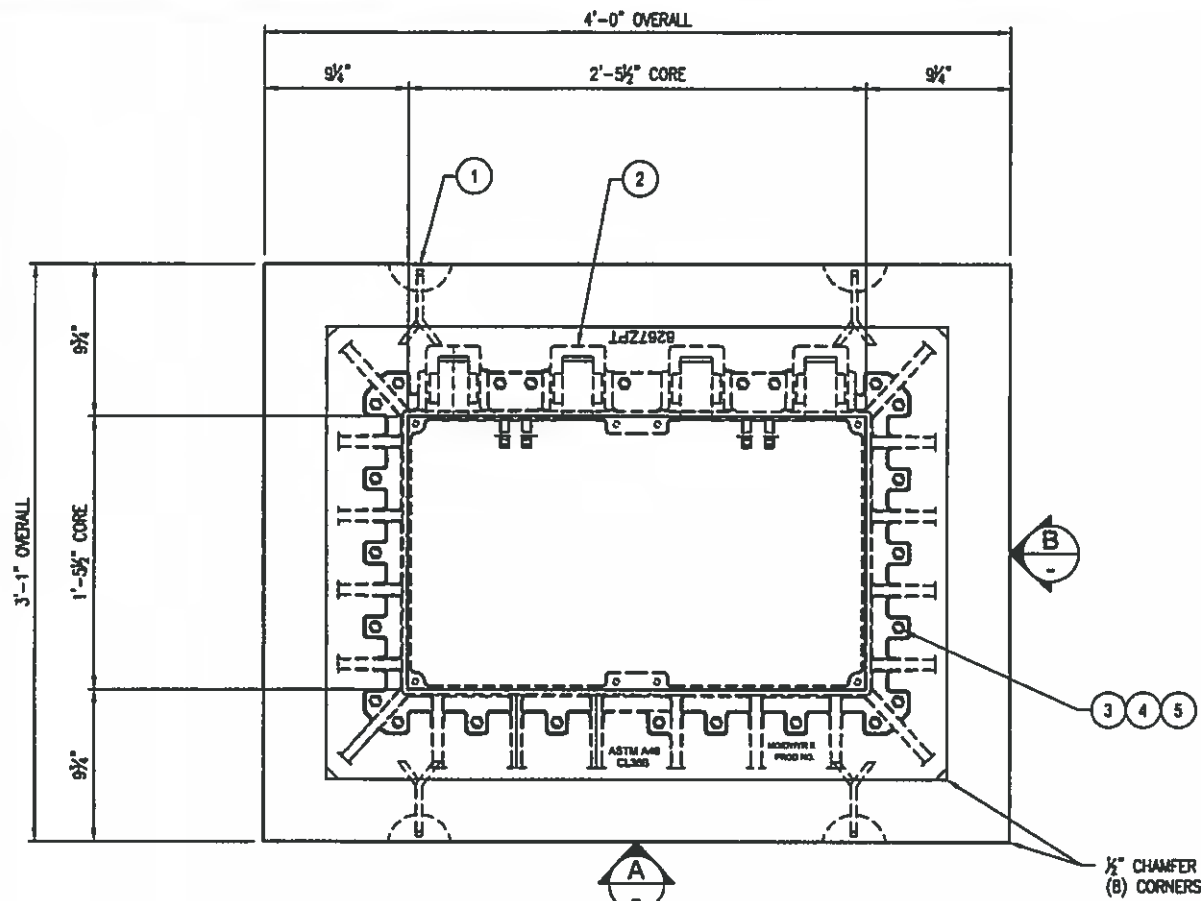
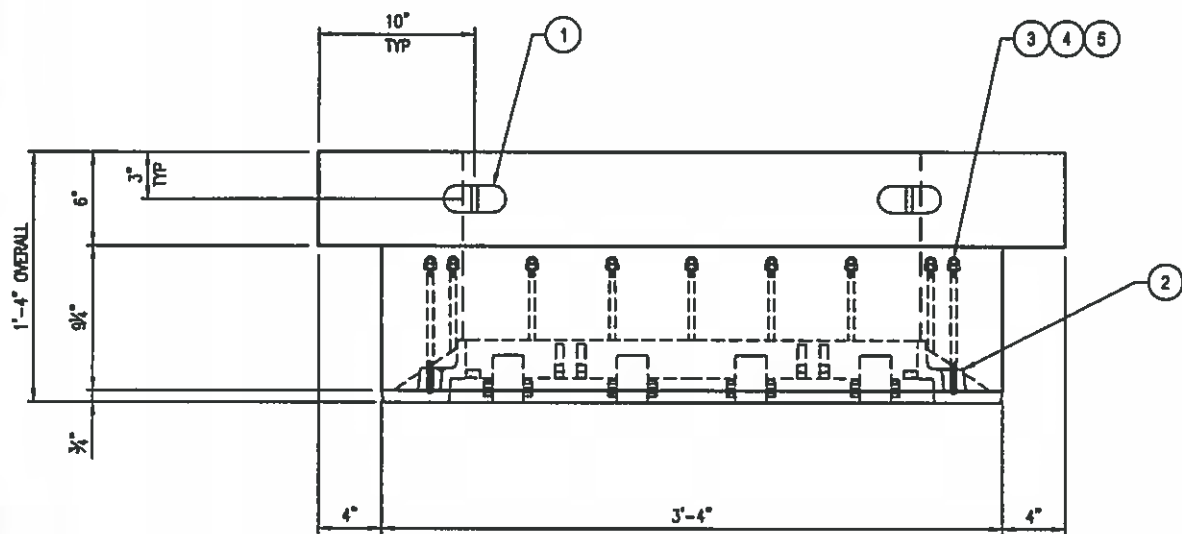


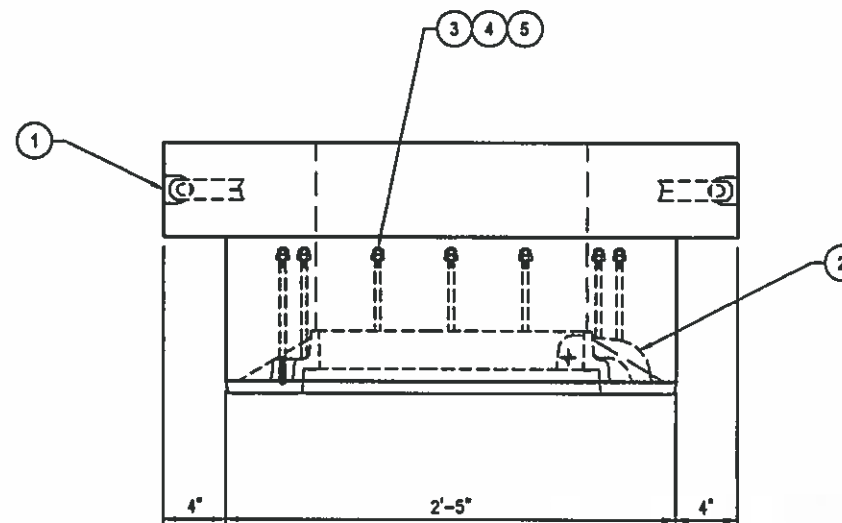
**APPROVED**  
 Washington State  
 Department of Transportation  
 HQ Traffic Operations Office  
 DATE April 14, 2015 TAT



PLAN VIEW  
 LAYOUT (SHOWN AS POURED)



VIEW A



VIEW B

STRUCTURAL NOTES

1. CONCRETE: 28 DAY COMPRESSIVE STRENGTH  $f'_c = 4,000$  psi
2. REBAR: ASTM A-706 GRADE 60
3. WWF: ASTM A-185 GRADE 65
4. DESIGN: ACI-318-05 BUILDING CODE
5. LOADS: HEAVY DUTY LOADING, 46,000 lbs  
 ASTM C-857 "MINIMUM STRUCTURAL DESIGN LOADING FOR UNDERGROUND PRECAST CONCRETE UTILITY STRUCTURES"  
 30% IMPACT FOR LESS THAN 2'-0" SOIL COVER  
 120 pcf SOIL DENSITY  
 40 pcf E.F.P. LATERAL SOIL PRESSURE ABOVE WATERTABLE  
 80 pcf E.F.P. LATERAL SOIL PRESSURE BELOW WATERTABLE  
 230 psf LIVE LOAD SURCHARGE  
 NO LIVE LOAD SURCHARGE FOR SOIL COVER > 6'-0"  
 TOP OF VAULT AT FINISHED GRADE  
 WATERTABLE 5'-0" BELOW FINISHED GRADE (ASSUMED)

GENERAL NOTES

1. CUSTOMER TO:  
 VERIFY ALL VAULT FEATURES  
 SUPPLY & INSTALL ALL PIPING & ELECTRICAL  
 DO ALL PAINTING

PRODUCT WEIGHT

1,500 LBS

SHOP NOTES

1. USE "TYPE 5 JUNCTION BOX" STEEL FORM LESS CORE
2. USE WOOD FORM FOR CORE BLOCKOUT
3. USE "BRACKETING" TIED TO FORM TO LOCATE & HOLD DOWN CORE
4. CORE FORM DIAGONAL DISTANCE: 2'-10 1/4"
5. CONCRETE FINISH: FLAT FLOAT FINISH WITH MACHINED EDGES

STATE INSPECTION  
 REQUIRED

BILL OF MATERIALS

#	QUANTITY	DESCRIPTION	ITEM #
1	4 ea	ANCHOR 1-TON SPREAD - GALV	5100645
2	1 ea	ENR 8267APT ZPT DBL DOOR ASSEMBLY	SUPPLIED
3	24 ea	3/8-16 x 8 1/2" F1554 GR105 ATR STUD	5700045
4	24 ea	3/8-16 GR DH HYY HEX NUT	5700045
5	24 ea	3/8-16 NC GR C HEX LOCK NUT	5700045
	0.28 yds	CONCRETE MIX - SCC	5010000
	0.66 bar	REBAR #4 X 40' A706/GR60	5510030
	0.73 bar	REBAR #5 X 40' A706/GR60	5510050
	17.78 sqf	MESH - 4x2 (SQ. FT)	5500005
	25.00 ea	WOOD & STEEL FORMING CHARGE	9300050



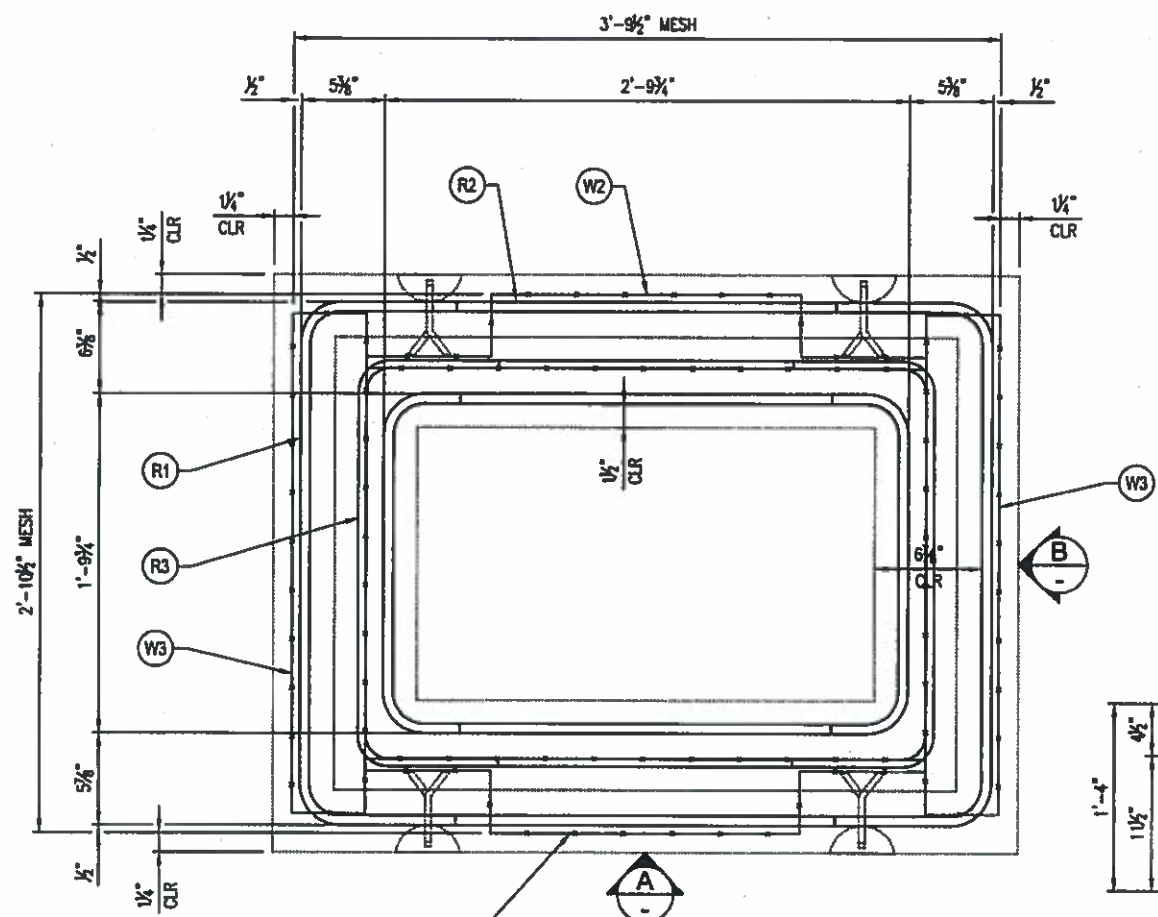
THIS DOCUMENT IS THE PROPERTY OF OLDCASTLE PRECAST, INC. IT IS CONFIDENTIAL, SUBMITTED FOR REFERENCE PURPOSES ONLY, AND SHALL NOT BE USED IN ANY WAY INJURIOUS TO THE INTERESTS OF OLDCASTLE PRECAST, INC. OR WITHOUT THE WRITTEN PERMISSION OF OLDCASTLE PRECAST, INC. COPYRIGHT © 2014 OLDCASTLE PRECAST, INC. ALL RIGHTS RESERVED.

TYPE 5 HEAVY DUTY JUNCTION BOX - WSDOT  
 LAYOUT DETAILS  
 TESTING  
 ALBURN, WA

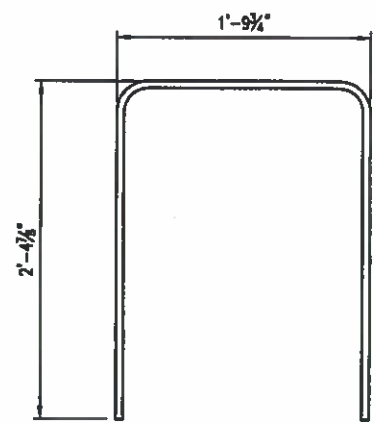
CUSTOMER WSDOT					
DATE 7/18/14	SALES KMR	DRAWN WS	ENGINEER	CHECKED	SALES ORDER S122374
DRAWING NUMBER 010-S122374-001				REVISION D REV DATE 9/25/14	SHEET 1 OF 2



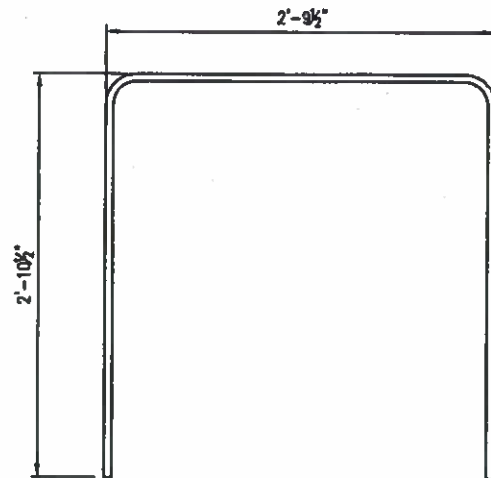
D	UPDATED BOM	WS
REVISION	DESCRIPTION	BY



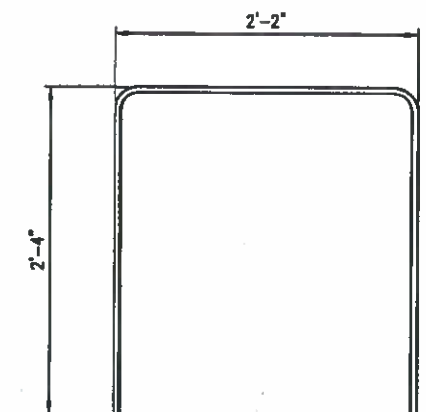
**PLAN VIEW**  
REINFORCING (SHOWN AS POURED)  
DOOR NOT SHOWN FOR CLARITY



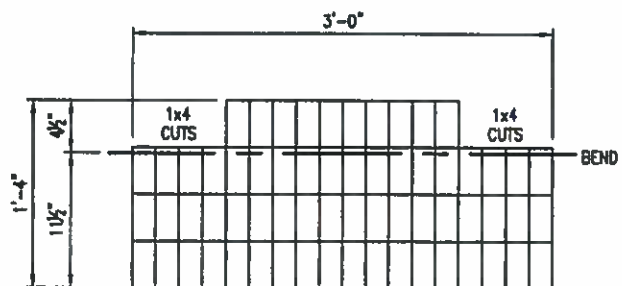
**R1 DETAIL**



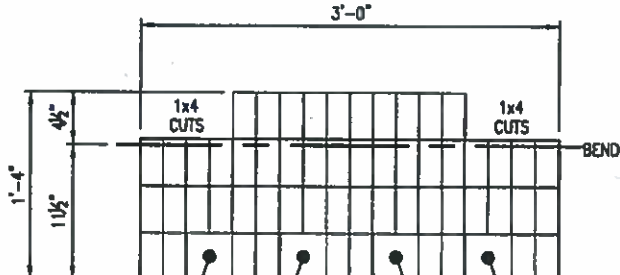
**R2 DETAIL**



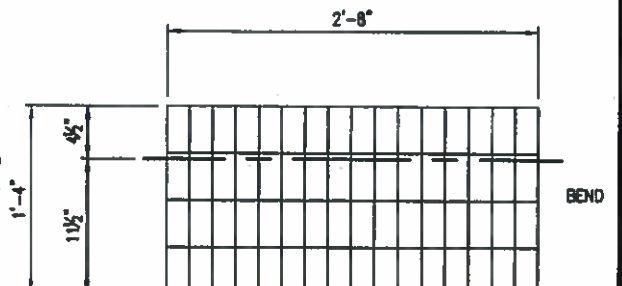
**R3 DETAIL**



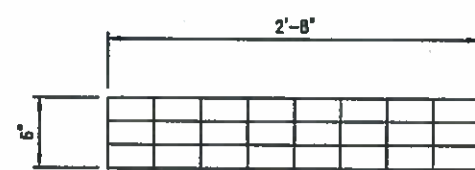
**W1 DETAIL**



**W2 DETAIL**



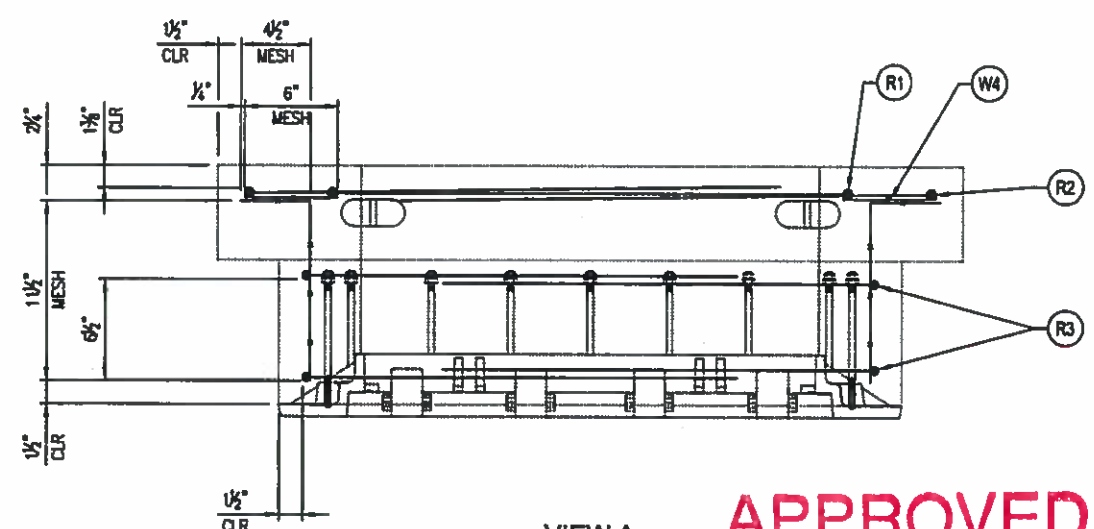
**W3 DETAIL**



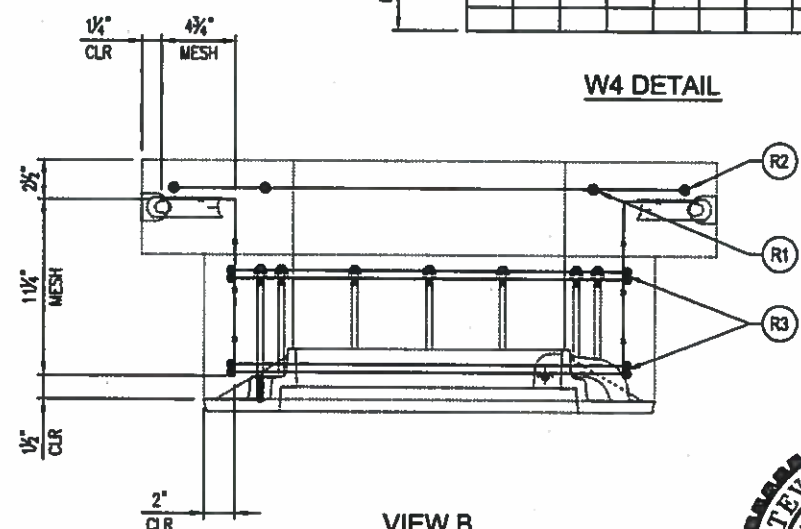
**W4 DETAIL**

**STATE INSPECTION  
REQUIRED**

REINFORCEMENT CUT LIST				
#	QTY	MATERIAL	LENGTH	SHAPE
R1	2	#5 REBAR A706/GR60	6'- 4"	BENT
R2	2	#5 REBAR A706/GR60	8'- 3"	BENT
R3	4	#4 REBAR A706/GR60	6'- 7"	BENT
W1	1	MESH 4X2 - W2.9 X W2.9		BENT
W2	1	MESH 4X2 - W2.9 X W2.9		BENT
W3	2	MESH 4X2 - W2.9 X W2.9		BENT
W4	2	MESH 4X2 - W2.9 X W2.9		STR



**VIEW A**



**VIEW B**

**APPROVED**  
Washington State  
Department of Transportation  
HQ Traffic Operations Office  
DATE April 14, 2015 TAT



REVISION	DESCRIPTION	BY
D	REDESIGNED REINFORCING	WS

**Oldcastle Precast**  
P.O. BOX 888 ALBURN, WA 99013-0888  
PHONE: 509-883-1538 FAX: 509-735-4301

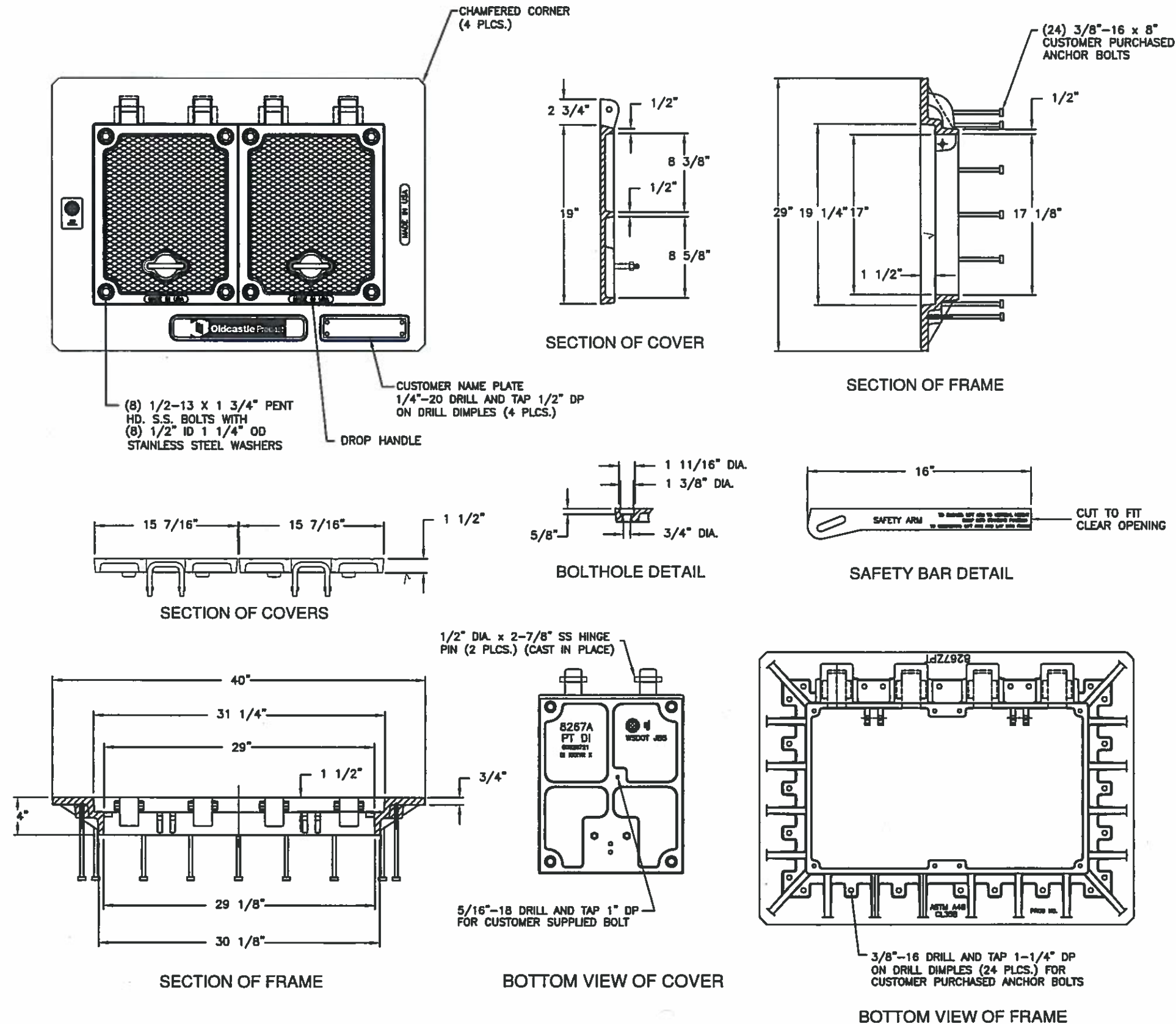
THIS DOCUMENT IS THE PROPERTY OF OLDCASTLE PRECAST, INC. IT IS CONFIDENTIAL, SUBMITTED FOR REFERENCE PURPOSES ONLY, AND SHALL NOT BE USED IN ANY WAY INJURIOUS TO THE INTERESTS OF, OR WITHOUT THE WRITTEN PERMISSION OF OLDCASTLE PRECAST, INC. COPYRIGHT © 2011 OLDCASTLE PRECAST, INC. ALL RIGHTS RESERVED.

**TYPE 5 HEAVY DUTY JUNCTION BOX - WSDOT**  
REINFORCING DETAILS  
TESTING  
ALBURN, WA

CUSTOMER  
**WSDOT**

DATE 7/18/14	SALES KJMR	DRAWN WS	ENGINEER	CHECKED	SALES ORDER S122374
DRAWING NUMBER 010-S122374-001			REVISION D	REV DATE 9/25/14	SHEET 2 OF 2

# 8267 Assembly



**Product Number**  
NPR12-2051A.SLDPRT

**Design Features**

- Materials
- Cover  
    Ductile Iron (80-55-06)
- Frame  
    Gray Iron (CL35B)

- Design Load  
  Heavy Duty
- Open Area  
  n/a
- Coating  
  Undipped
- Designates Machined Surface

**Certification**

- ASTM A536
- ASTM A48
- Country of Origin: USA

**Major Components**

00826720  
00826710

**Drawing Revision**

8/28/2012 Designer: KK  
8/28/2012 Revised By: KK

**Disclaimer**

Weights (lbs./kg) dimensions (inches/mm) and drawings provided for your guidance. We reserve the right to modify specifications without prior notice.

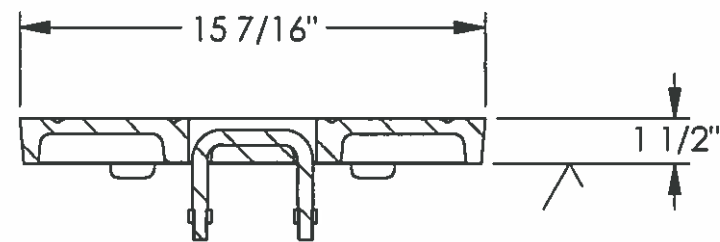
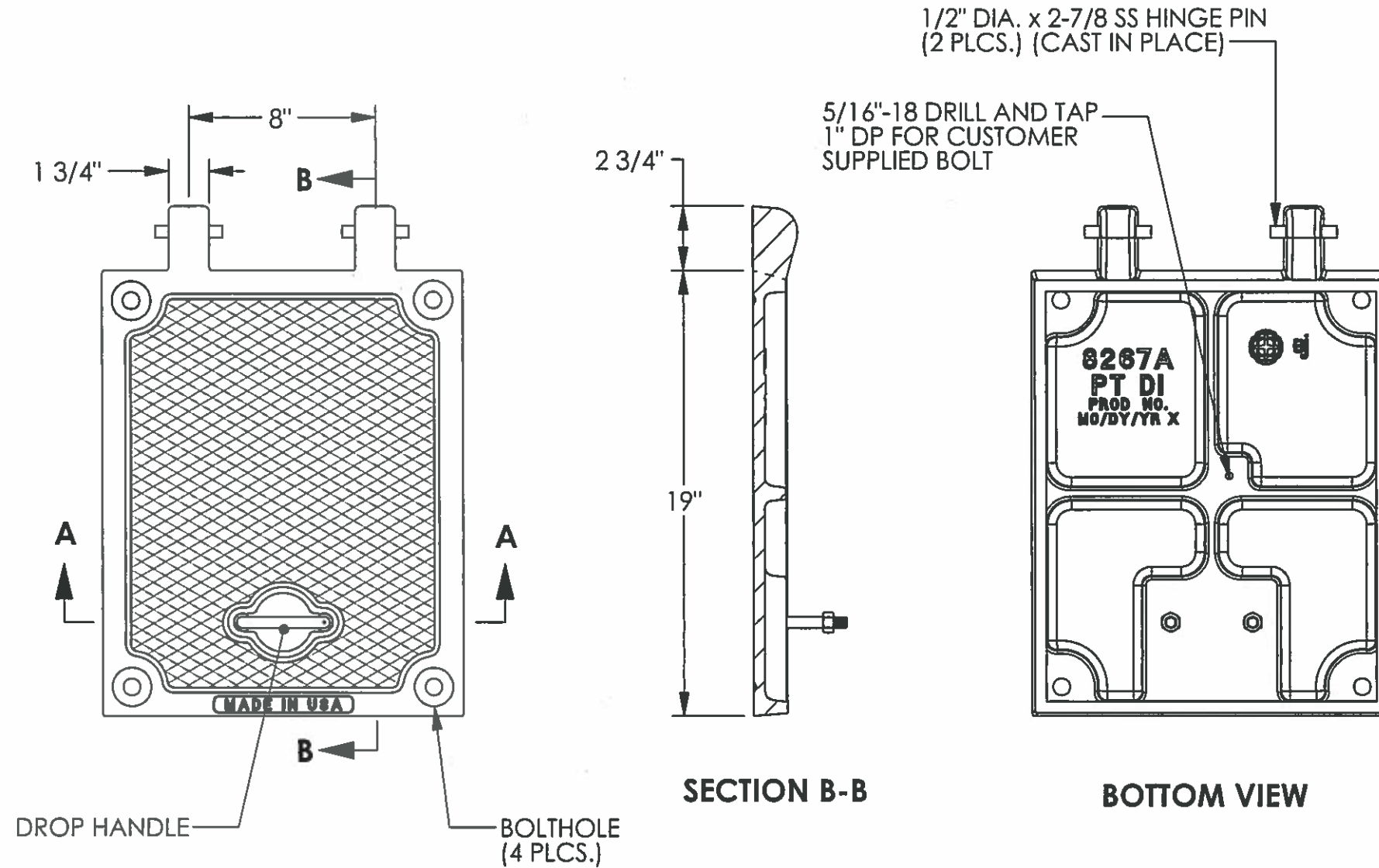
CONFIDENTIAL: This drawing is the property of EJ GROUP, Inc., and embodies confidential information, registered marks, patents, trade secret information, and/or know how that is the property of EJ GROUP, Inc. Copyright © 2012 EJ GROUP, Inc. All rights reserved.

**Contact**

800 626 4653  
ejco.com

**APPROVED**  
 Washington State  
 Department of Transportation  
 HQ Traffic Operations Office  
 DATE: April 14, 2015 TAT

# 8267 Hatch Cover



**APPROVED**

Washington State  
Department of Transportation  
HQ Traffic Operations Office  
DATE April 14, 2015 TAT

**\*NOTE: DEBURR ALL SHARP EDGES FOR SAFETY. ALL MACHINING WILL BE OUTSOURCED**

**Product Number**  
NPR12-2051C

**Design Features**

- Materials  
Ductile Iron (80-55-06)
- Design Load  
Heavy Duty
- Open Area  
n/a
- Coating  
Undipped
- √ Designates Machined Surface

**Certification**

- ASTM A536
- 
- Country of Origin: USA

**Drawing Revision**

- 6/10/2002 Designer: JIJ
- 8/28/2012 Revised By: KK

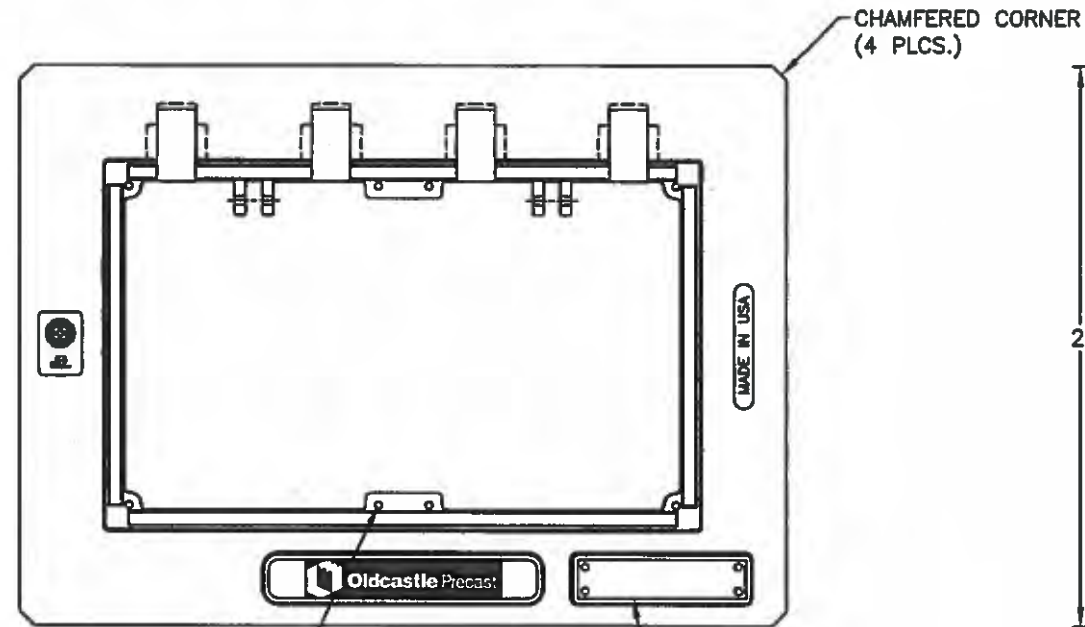
**Disclaimer**

Weights (lbs/kg), dimensions (inches/mm) and drawings provided for your guidance. We reserve the right to modify specifications without prior notice.

CONFIDENTIAL: This drawing is the property of EJ Group, Inc. and embodies confidential information, registered marks, patents, trade secret information, and/or know how that is the property of EJ Group, Inc. Copyright © 2011 EJ Group, Inc. All rights reserved.

**Contact**  
800 626 4653  
ejco.com

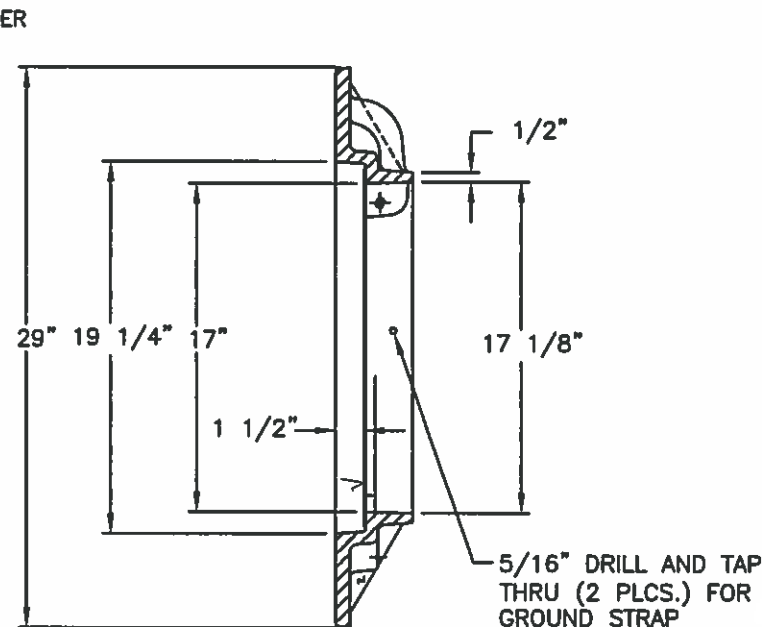
# 8267 Hatch Frame



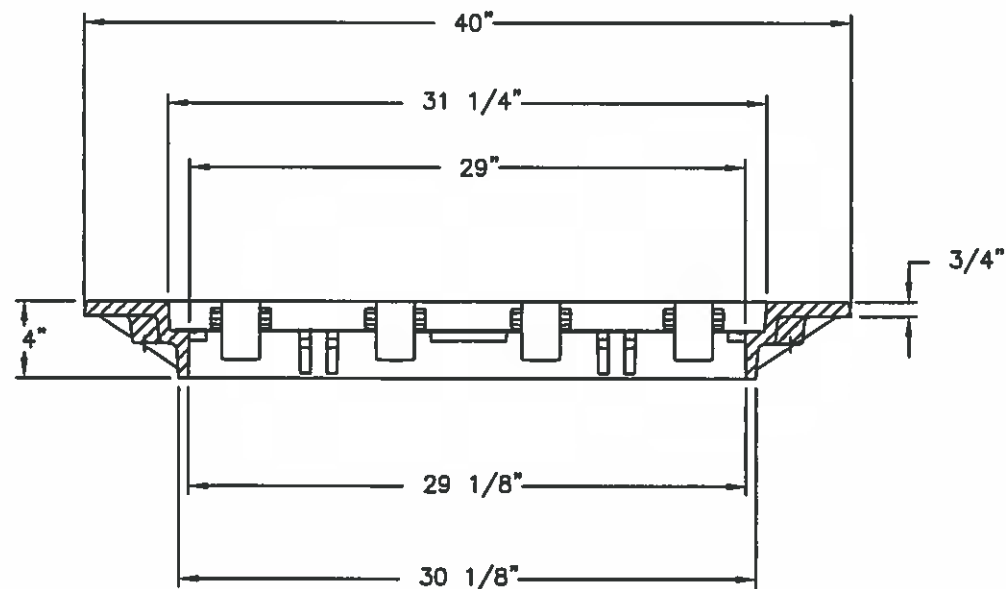
1/2"-13 DRILL AND TAP THRU ON DRILL DIMPLES (8 PLCS.) FOR 1/2"-13 X 1-3/4" S.S. PENT HEAD BOLTS

PLAN VIEW

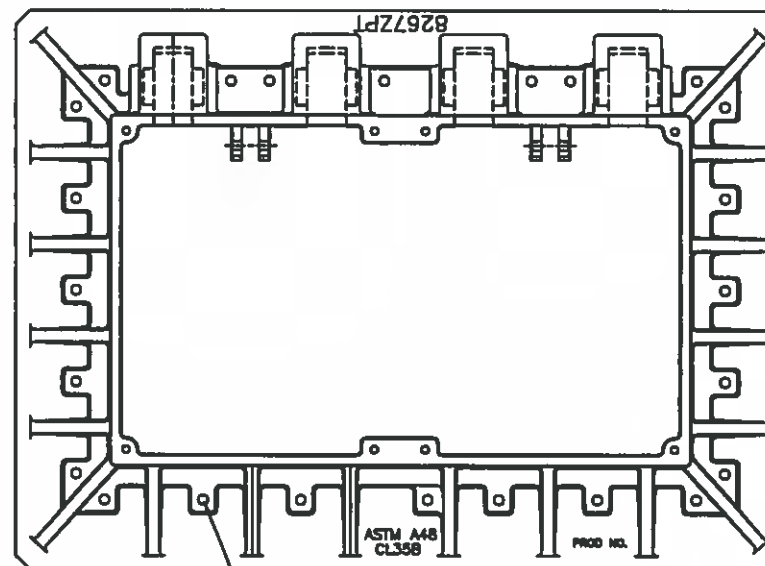
CUSTOMER NAME PLATE 1/4"-20 DRILL AND TAP 1/2" DP ON DRILL DIMPLES (4 PLCS.)



SECTION OF FRAME



SECTION OF FRAME



3/8"-16 DRILL AND TAP 1-1/4" DP ON DRILL DIMPLES (24 PLCS.) FOR CUSTOMER PURCHASED ANCHOR BOLTS

BOTTOM VIEW

NOTE: ALL MACHINING WILL BE OUTSOURCED

- Product Number**  
NPR12-2051B.SLDPRT
- Design Features**
- Materials  
Gray Iron (CL35B)
  - Design Load  
Heavy Duty
  - Open Area  
n/a
  - Coating  
Undipped
  - Designates Machined Surface

- Certification**
- ASTM A48
  - Country of Origin: USA

**APPROVED**  
Washington State  
Department of Transportation  
HQ Traffic Operations Office  
DATE April 14, 2014 TAT

- Drawing Revision**
- 9/7/2002 Designer: JIJ
  - 8/27/2012 Revised By: KK

**Disclaimer**  
Weights (lbs./kg) dimensions (inches/mm) and drawings provided for your guidance. We reserve the right to modify specifications without prior notice.

CONFIDENTIAL: This drawing is the property of EJ GROUP, Inc., and embodies confidential information, registered marks, patents, trade secret information, and/or know how that is the property of EJ GROUP, Inc. Copyright © 2011 EJ GROUP, Inc. All rights reserved.

**Contact**  
800 626 4653  
ejco.com