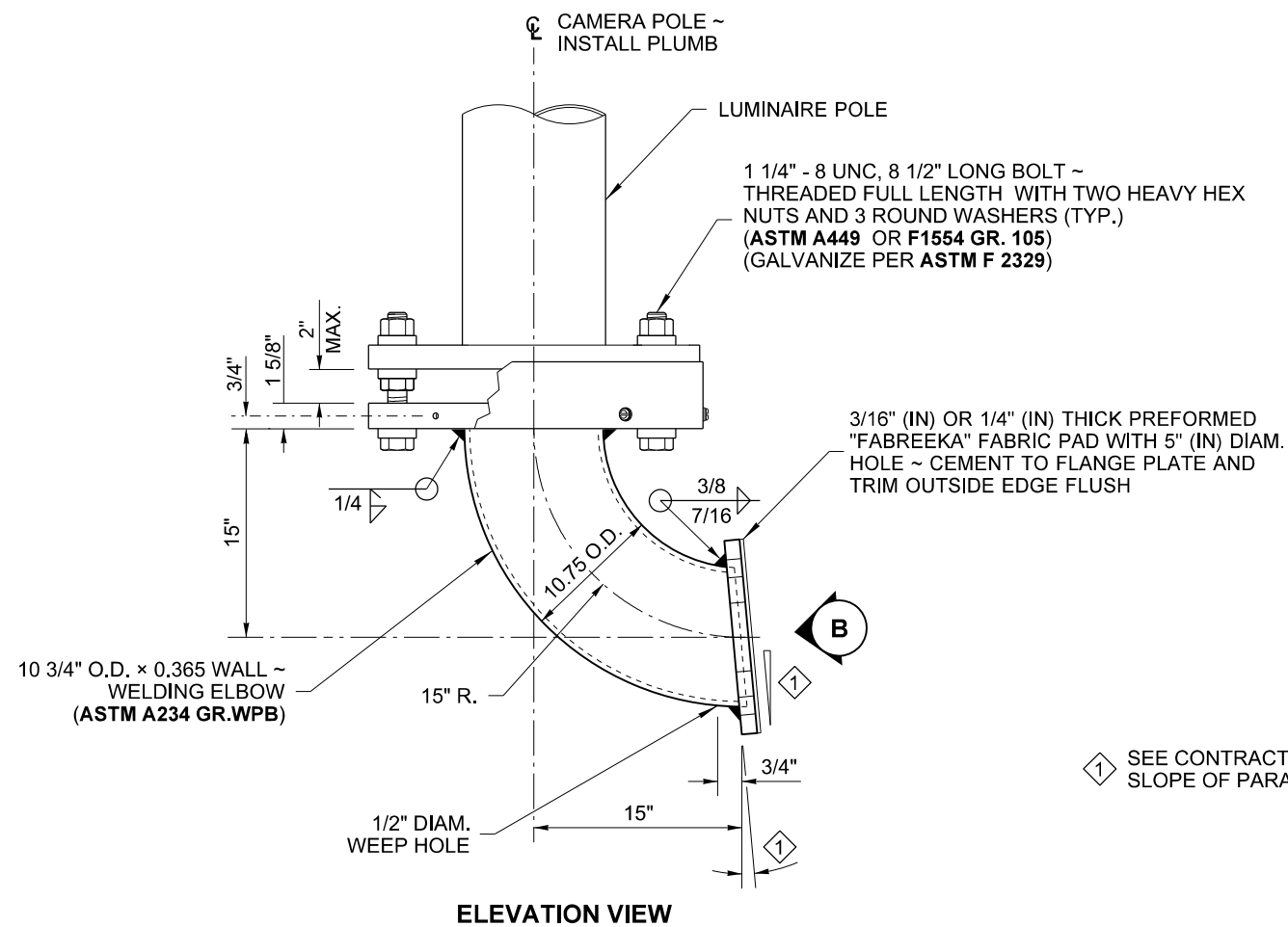
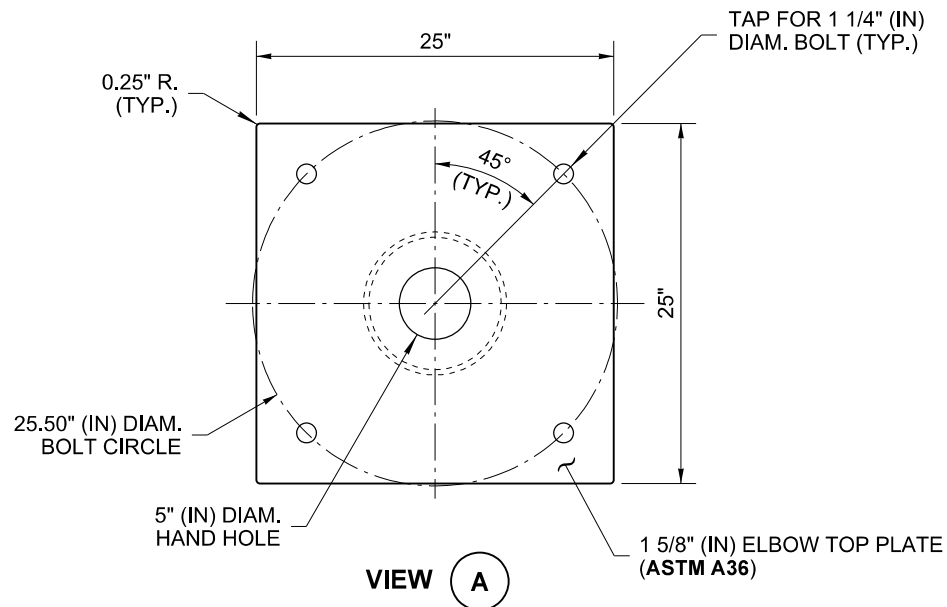


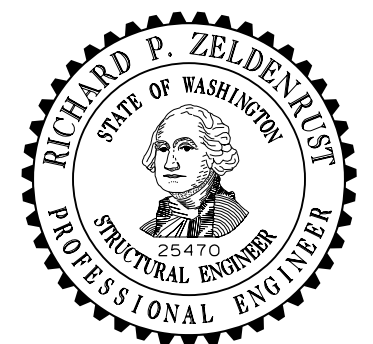
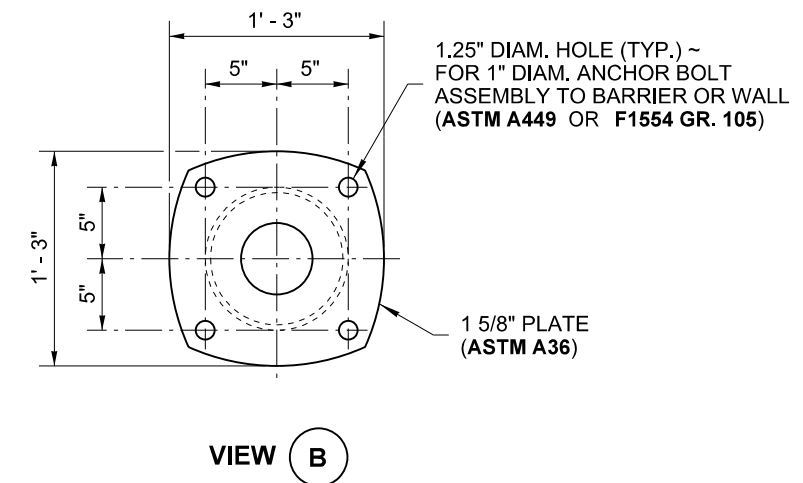
DRAWN BY: FERN LIDDELL



CAMERA POLE ELBOW MOUNT ~ 25" SQUARE

NOTES

1. For information not shown, see Steel Light Standard Elbow detail, **Standard Plan J-28.45**. For Camera Pole Details, see **Standard Plan J-29.15**.
2. Round and smooth all edges along wire-way to protect conductors.
3. The manufacturer shall verify that the Elbow Top Plate matches the Camera Pole Base, and shall submit the shop drawings for approval.
4. Galvanize after fabrication according to **AASHTO M111**.
5. Install galvanized steel protective band (3/16" thick x 4" high (**ASTM A36**)) on all four sides, as shown in **Standard Plan J-28.45**, except fasten 6" from corners on 25" square base.



TYPE CCTV TRAFFIC SIGNAL STANDARD (CAMERA POLE) ELBOW DETAILS
STANDARD PLAN J-29.16-02

SHEET 1 OF 1 SHEET

APPROVED FOR PUBLICATION

STATE DESIGN ENGINEER
 Washington State Department of Transportation