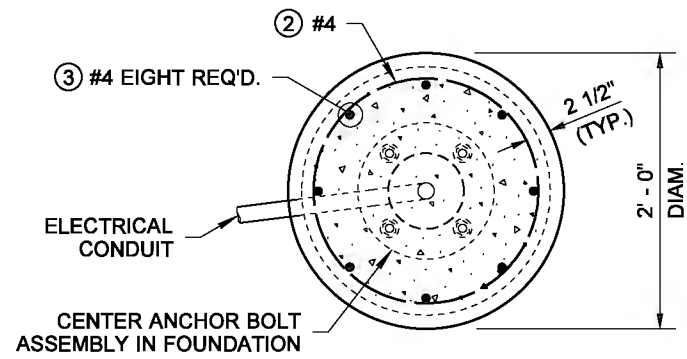
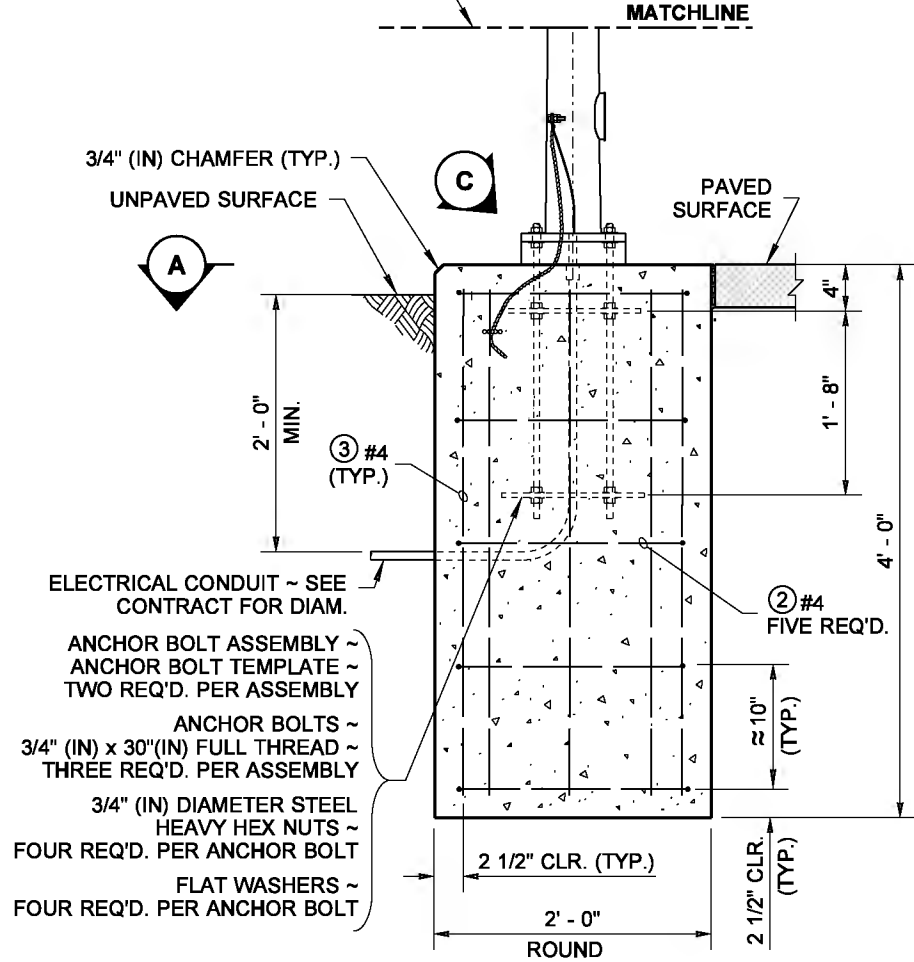


- NOTES**
- Clamping bolts shall be tightened to 50 ft-lbs max. torque. After state inspection, burr threads to prevent nut rotation. DO NOT OVERTIGHTEN.
 - The final height of the Anchor Bolts shall be below the top of the slip plate assembly to ensure proper function of the slip base.
 - Supplemental grounding conductor shall be non-insulated #4 AWG stranded copper and shall be clamped to vertical rebar with a connector suitable for use embedded in concrete: Provide 3' - 0" min. slack. Attach to pole grounding stud with a full circle crimp-on connector (crimped with a manufacturer recommended crimper).
 - Junction box serving the Standard shall preferably be located 5' - 0" (10' - 0" Max.) from the Standard.
 - Provide cable tie at wiring entering the junction box (for slip base installations only) ~ See **Detail A, Standard Plan J-28.70**.
 - Keeper Plate shall not extend beyond the edges of the pole base plate.

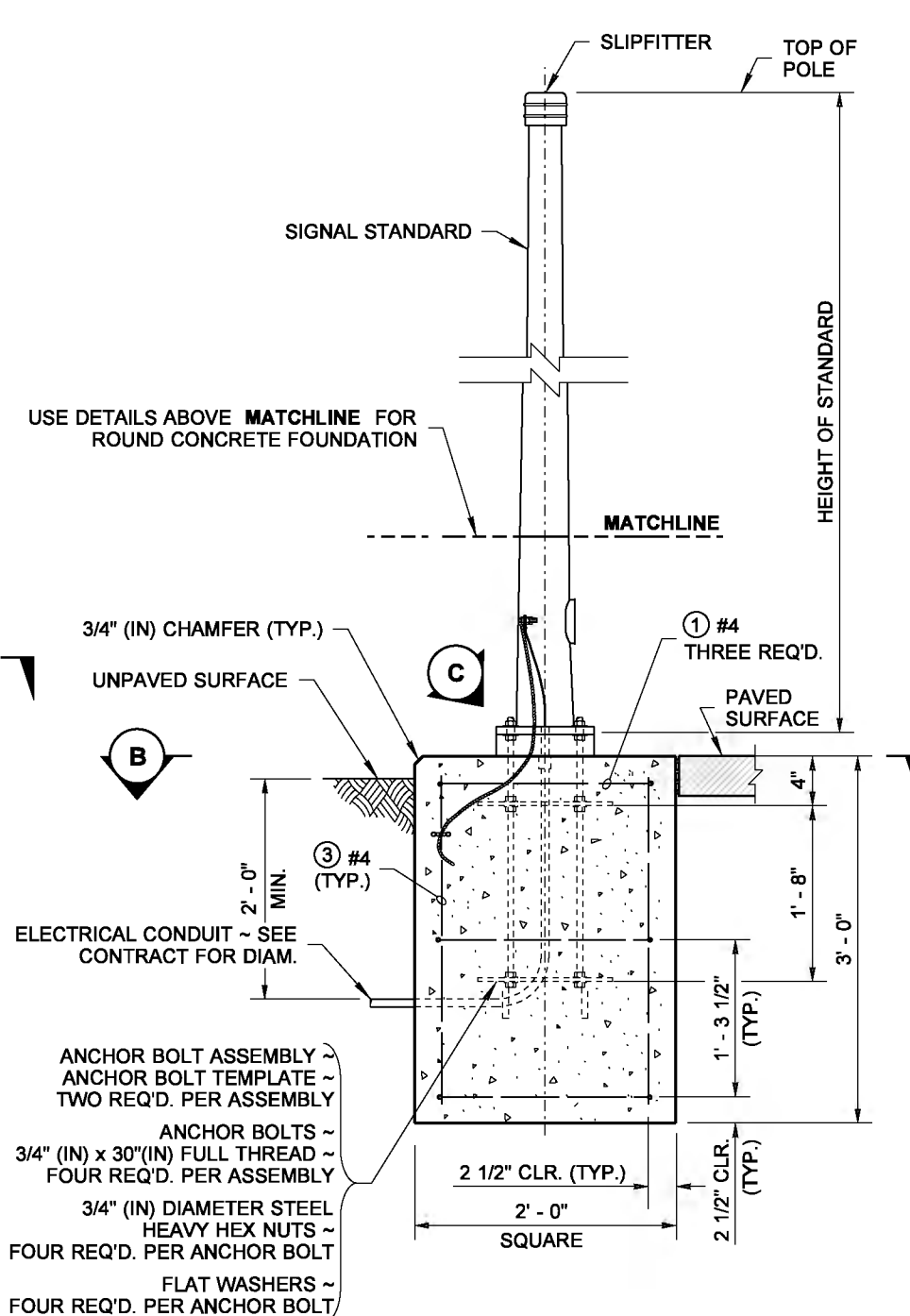
DRAWN BY: FERN LIDDELL



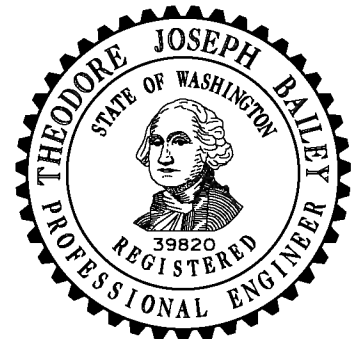
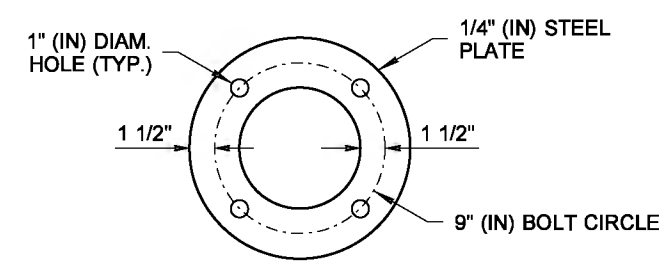
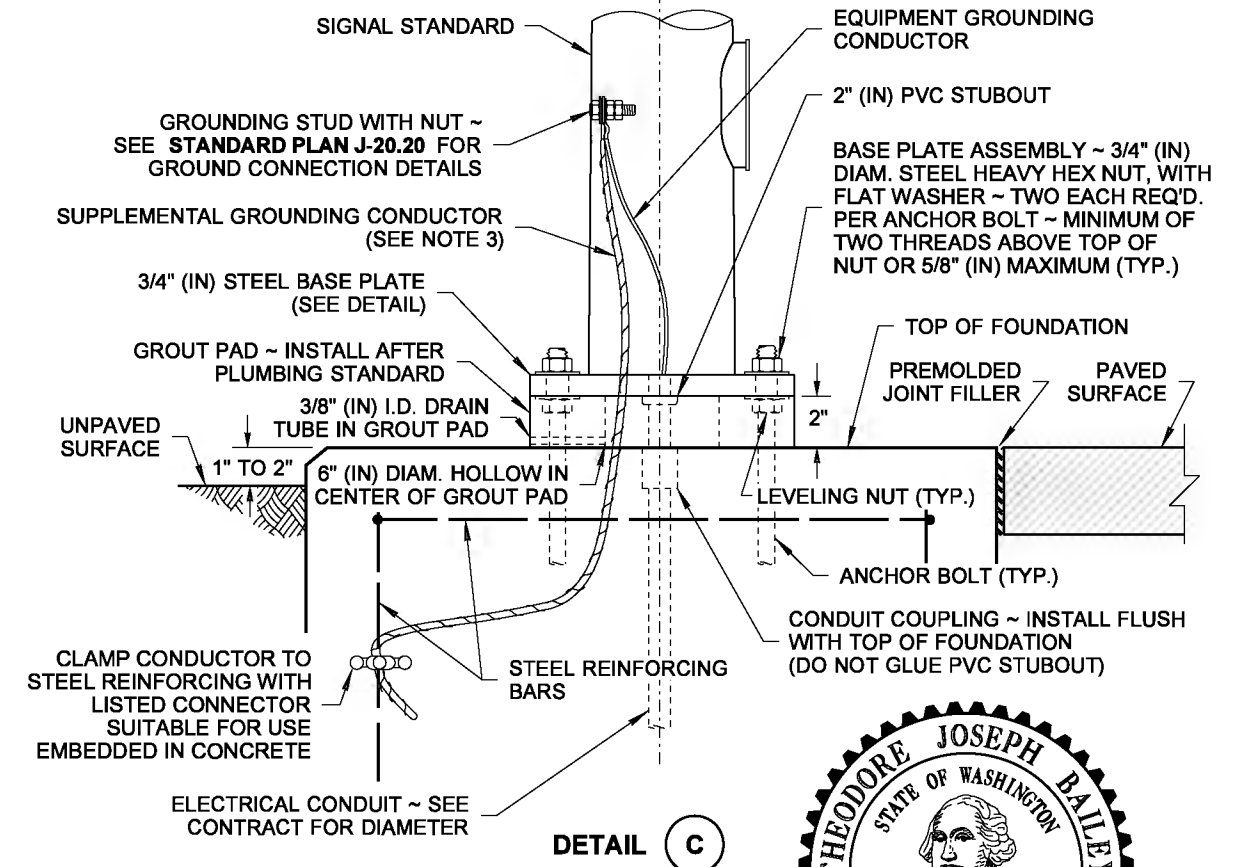
SEE DETAILS ABOVE MATCHLINE FOR SQUARE CONCRETE FOUNDATION



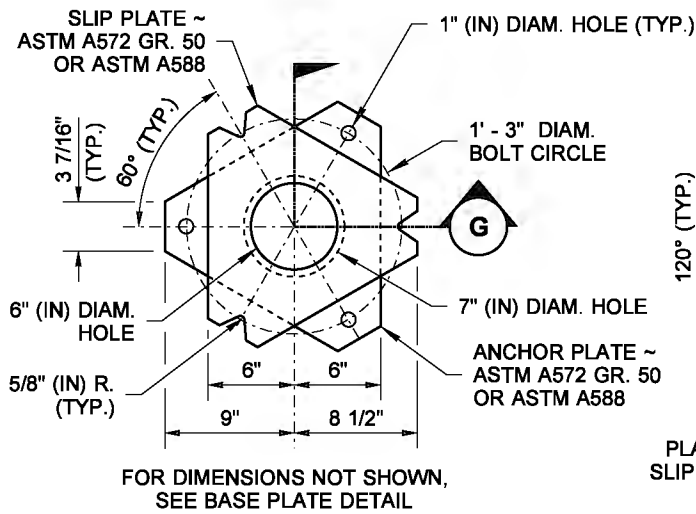
ROUND CONCRETE FOUNDATION DETAIL



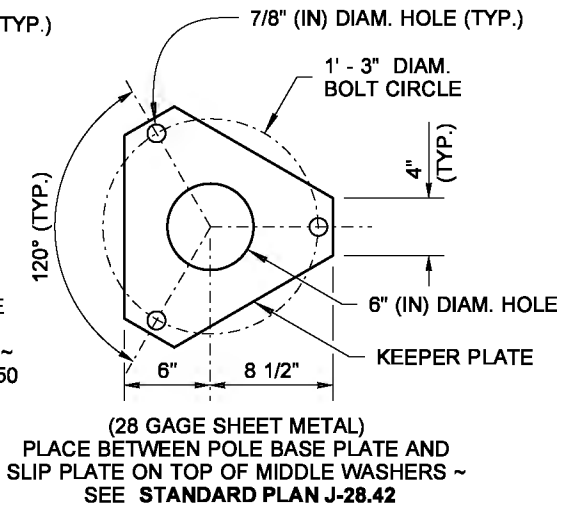
FIXED BASE SQUARE CONCRETE FOUNDATION DETAIL



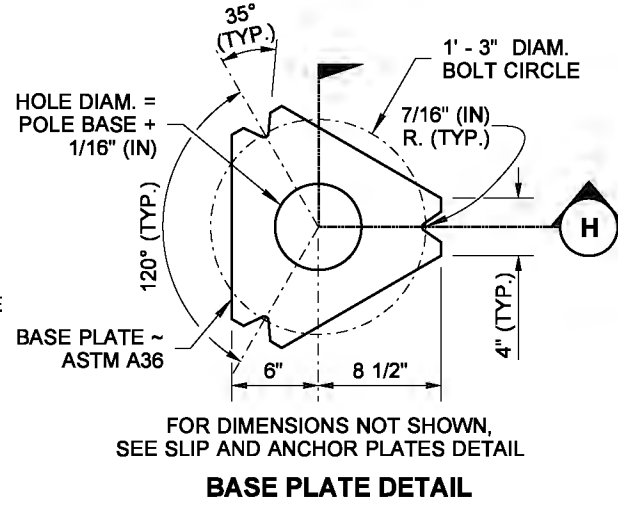
TYPE PS, TYPE 1, RM & FB SIGNAL STANDARD FOUNDATION DETAILS
STANDARD PLAN J-21.10-04



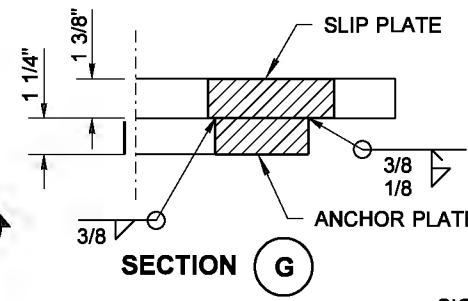
SLIP AND ANCHOR PLATES DETAIL



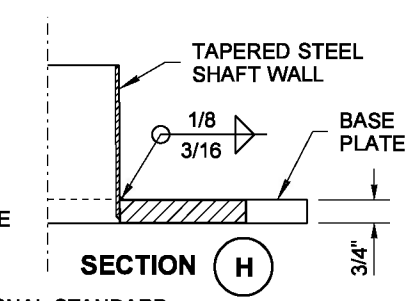
KEEPER PLATE DETAIL



BASE PLATE DETAIL

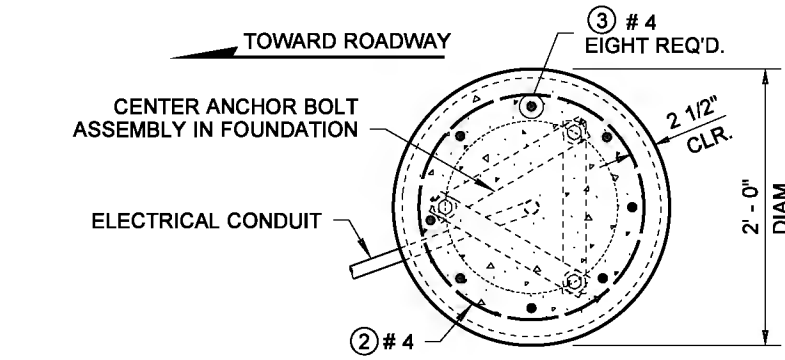


SECTION G



SECTION H

DRAWN BY: FERN LIDDELL



SECTION D

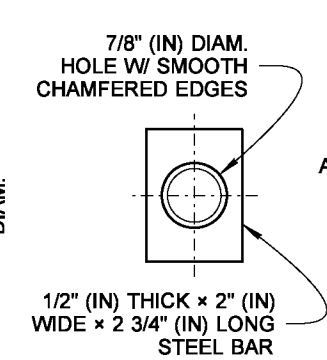
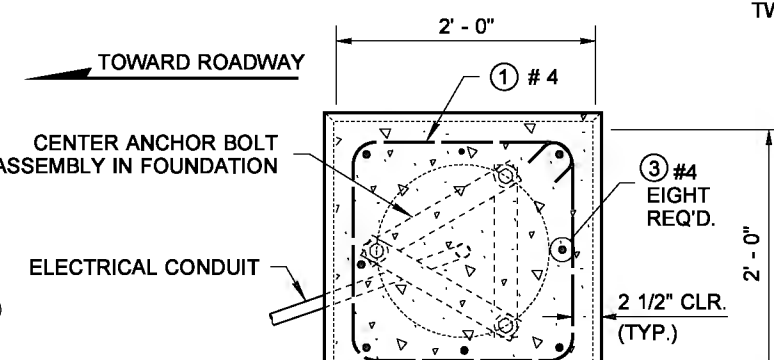
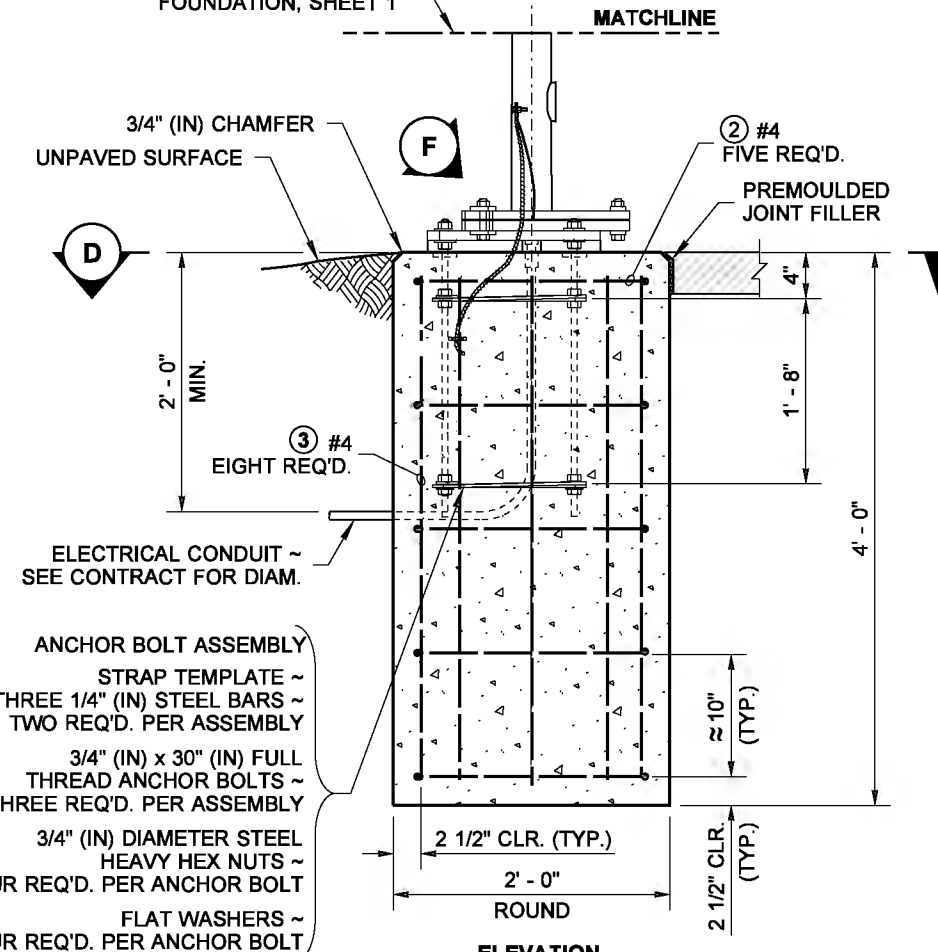


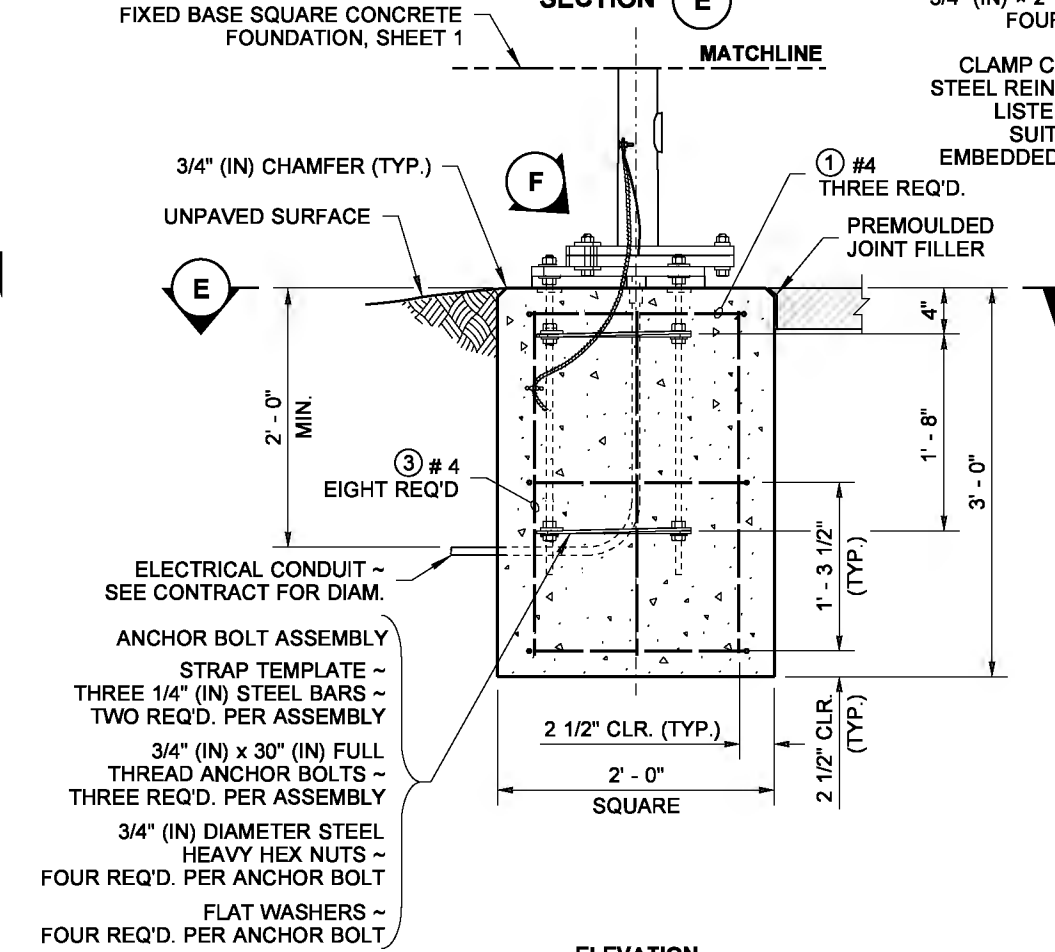
PLATE WASHER DETAIL



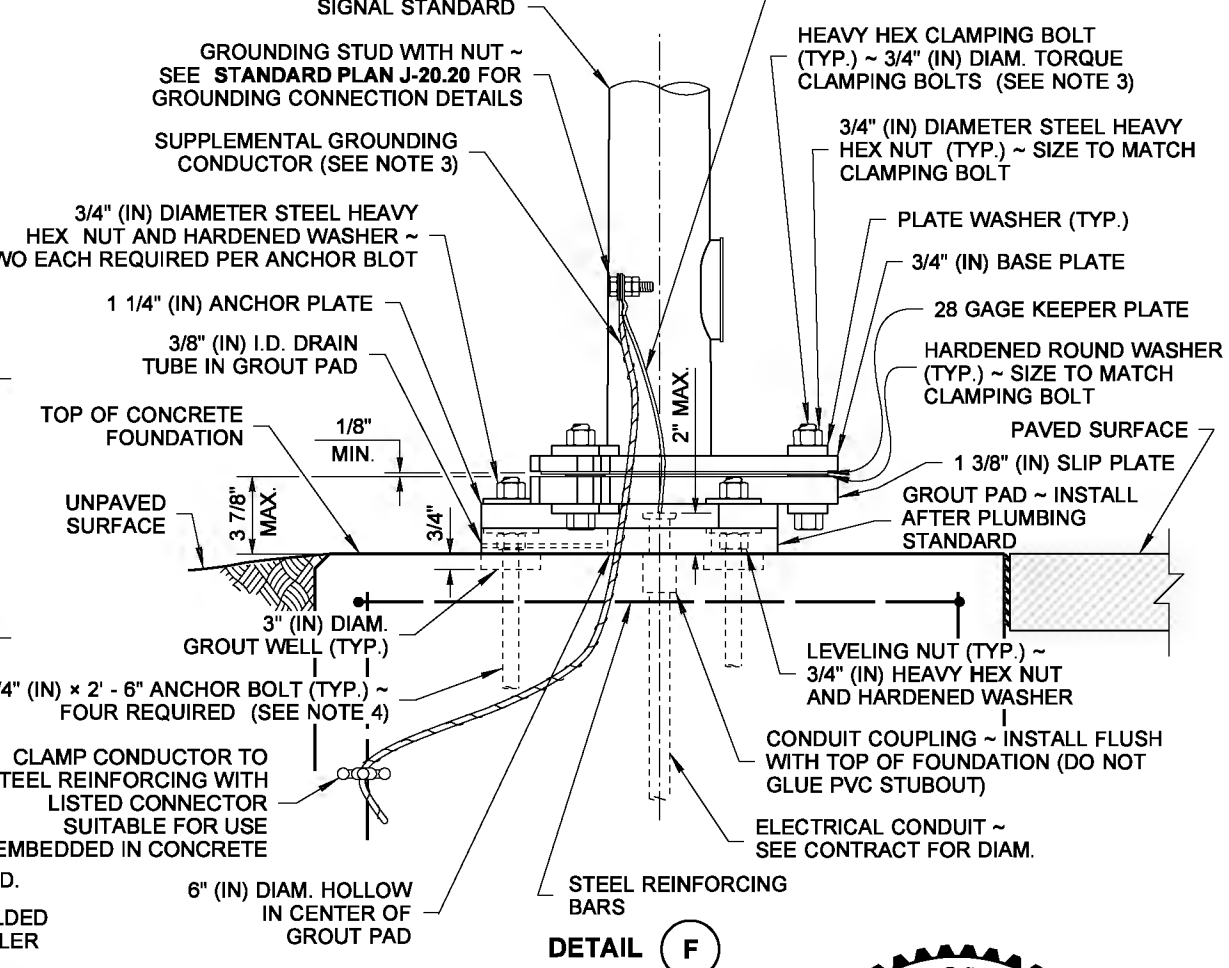
SECTION E



ROUND CONCRETE FOUNDATION DETAIL

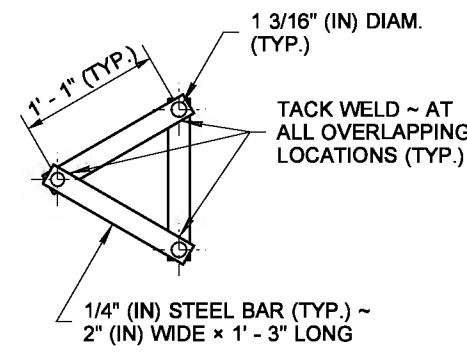


SQUARE CONCRETE FOUNDATION DETAIL

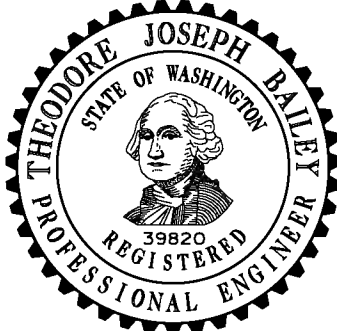


DETAIL F

SQUARE FOUNDATION SHOWN



STRAP TEMPLATE DETAIL



TYPE PS, TYPE 1, RM & FB SIGNAL STANDARD FOUNDATION DETAILS
STANDARD PLAN J-21.10-04

SHEET 2 OF 2 SHEETS

APPROVED FOR PUBLICATION