

NOTES

1. For typical rail element and post details not shown on this plan refer to Standard Plans C-20.10 and C-1b.
2. For additional details not shown, see Sheet 2 of this Plan.
3. Fasten the Anchor Cable using two 1" (in) nuts and washer, at both ends of cable. Outside nut shall be torqued against inside nut a minimum of 100 ft.-lbs.
4. It is permissible to fabricate the anchor plate from 1/4" (in) thick plates welded to equal strength and dimensions as shown.
5. Eight 5/8" x 1 1/2" (in) machine bolts with hex nut and washer. Place washer on face side of rail.
6. Galvanizing of Anchor metal components shall be in accordance with Standard Specification Section 9-16.3(5).
7. See Standard Plans C-20.14 or C-20.18 for proper placement of Type 11 Anchors in front of fixed features.



Oct 13, 2023

BEAM GUARDRAIL TYPE 31 ~ ANCHOR TYPE 11

STANDARD PLAN C-23.70-01

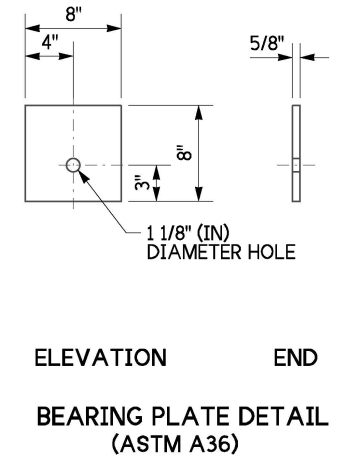
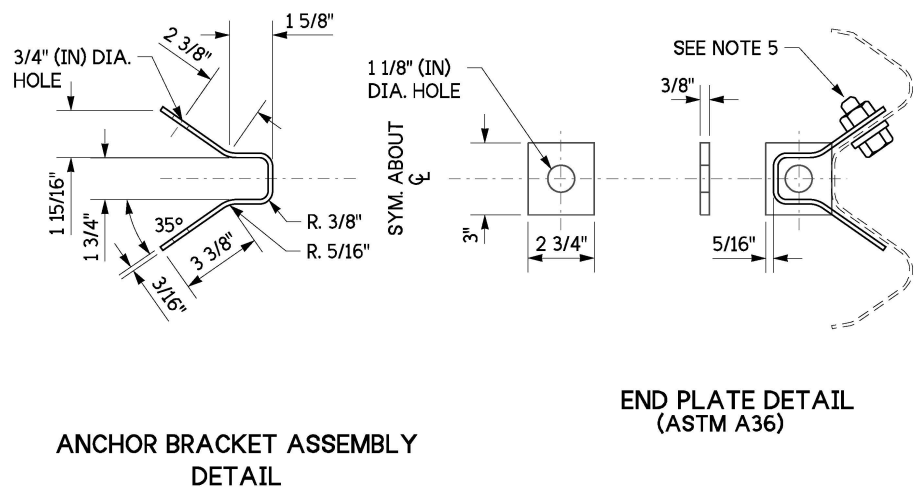
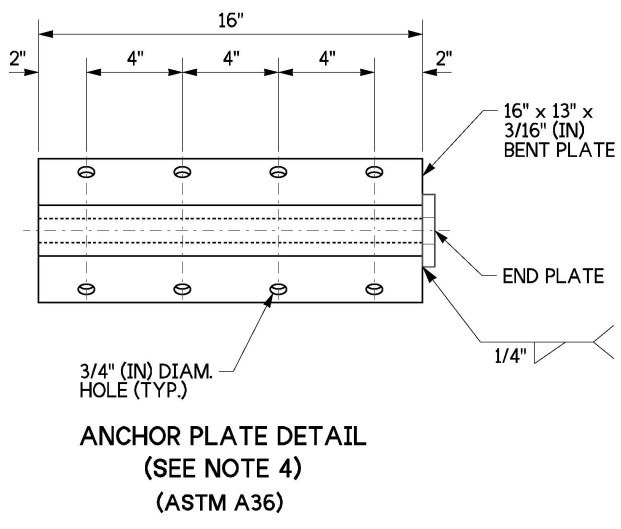
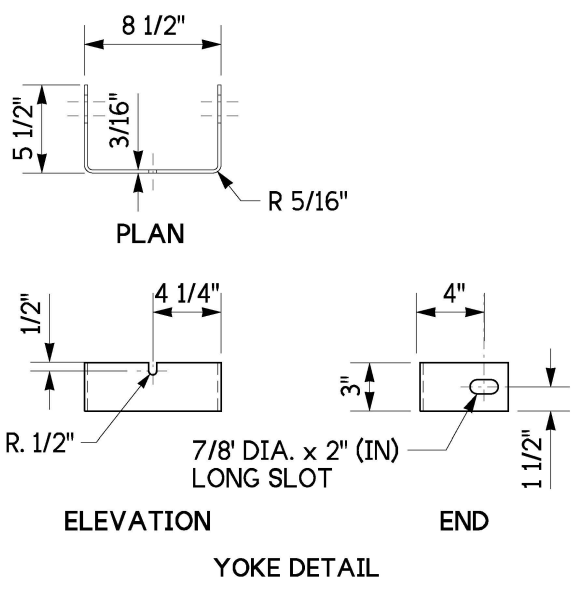
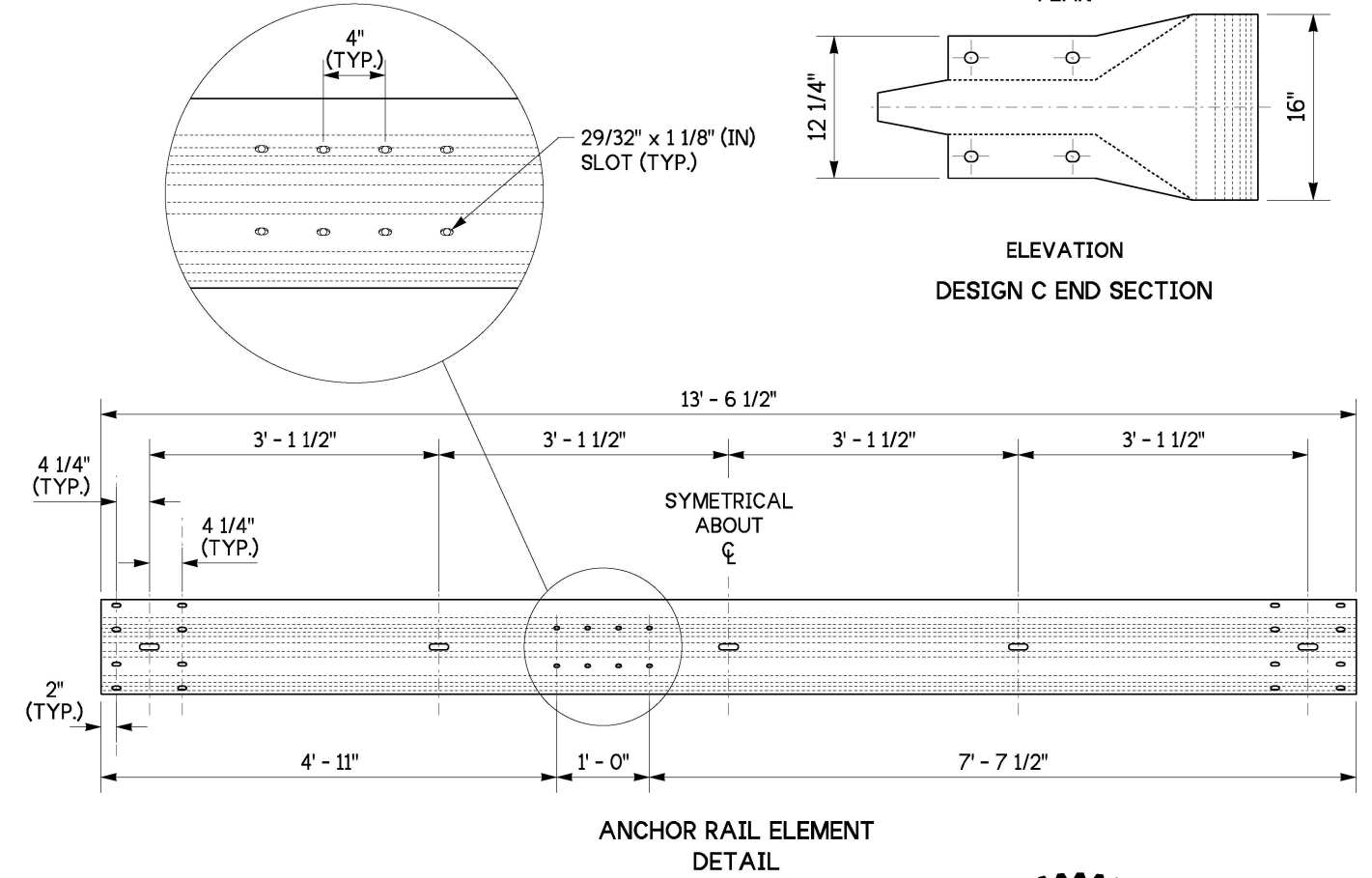
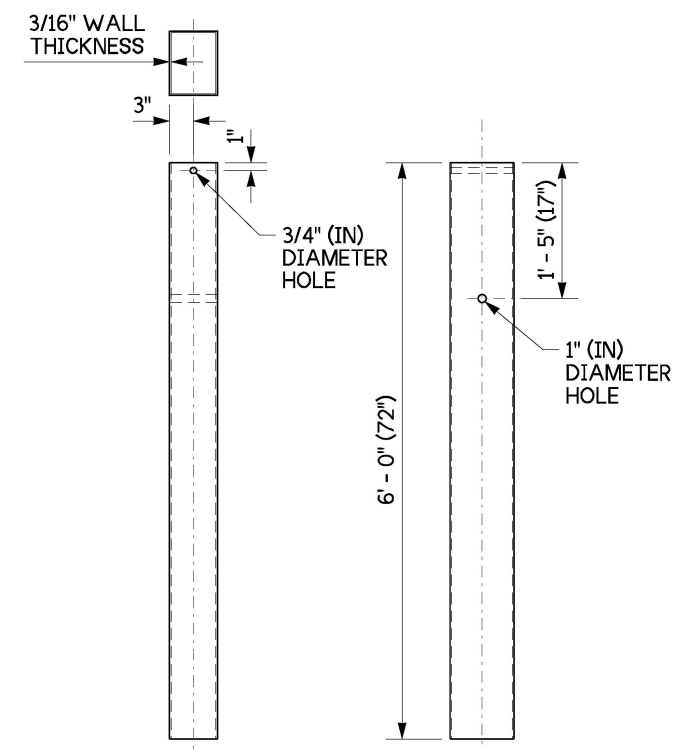
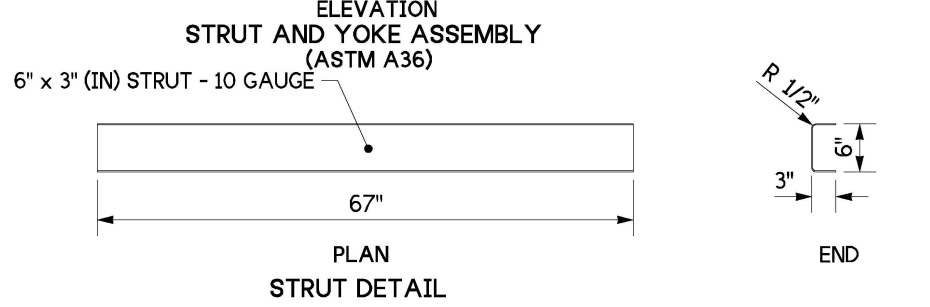
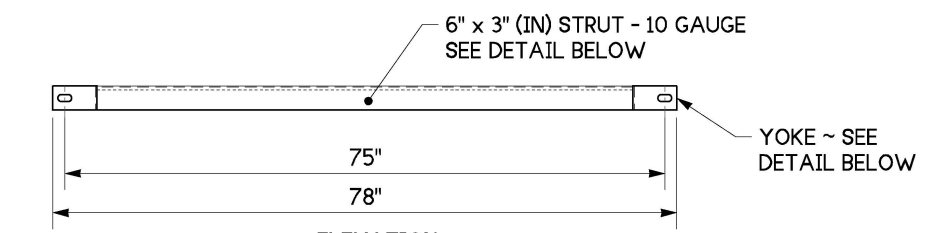
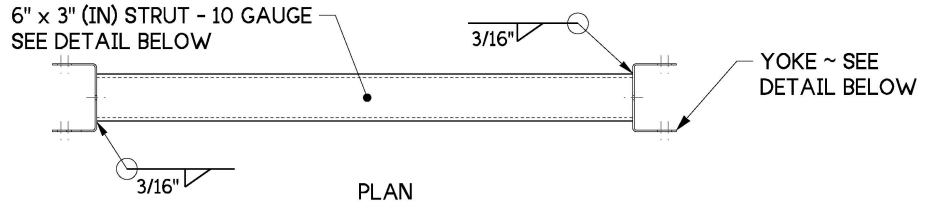
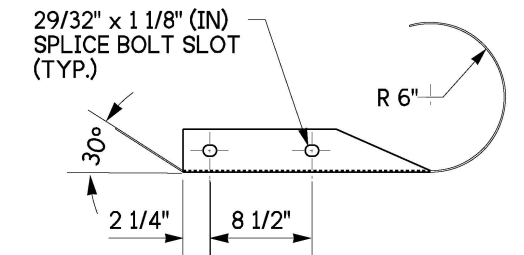
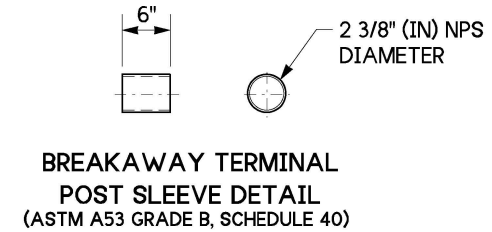
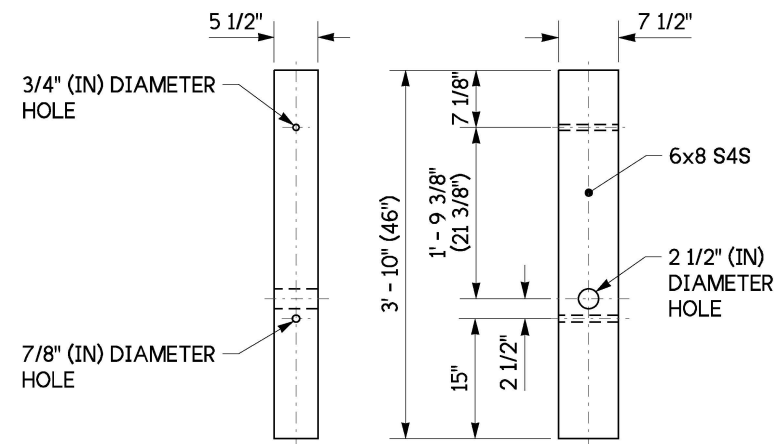
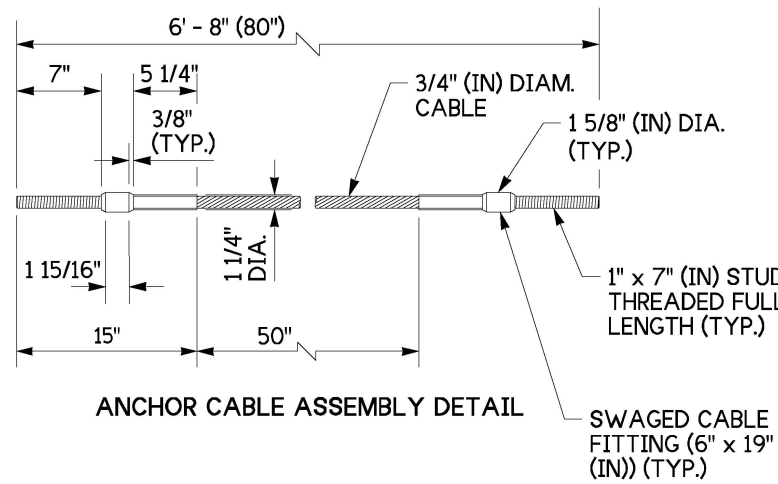
SHEET 1 OF 2 SHEETS

APPROVED FOR PUBLICATION

Mark A. Raines Oct 16, 2023

STATE DESIGN ENGINEER

Washington State Department of Transportation



Oct 13, 2023

BEAM GUARDRAIL TYPE 31 ~ ANCHOR TYPE 11

STANDARD PLAN C-23.70-01

SHEET 2 OF 2 SHEETS

APPROVED FOR PUBLICATION

Mark A. Davis

Oct 16, 2023

STATE DESIGN ENGINEER

