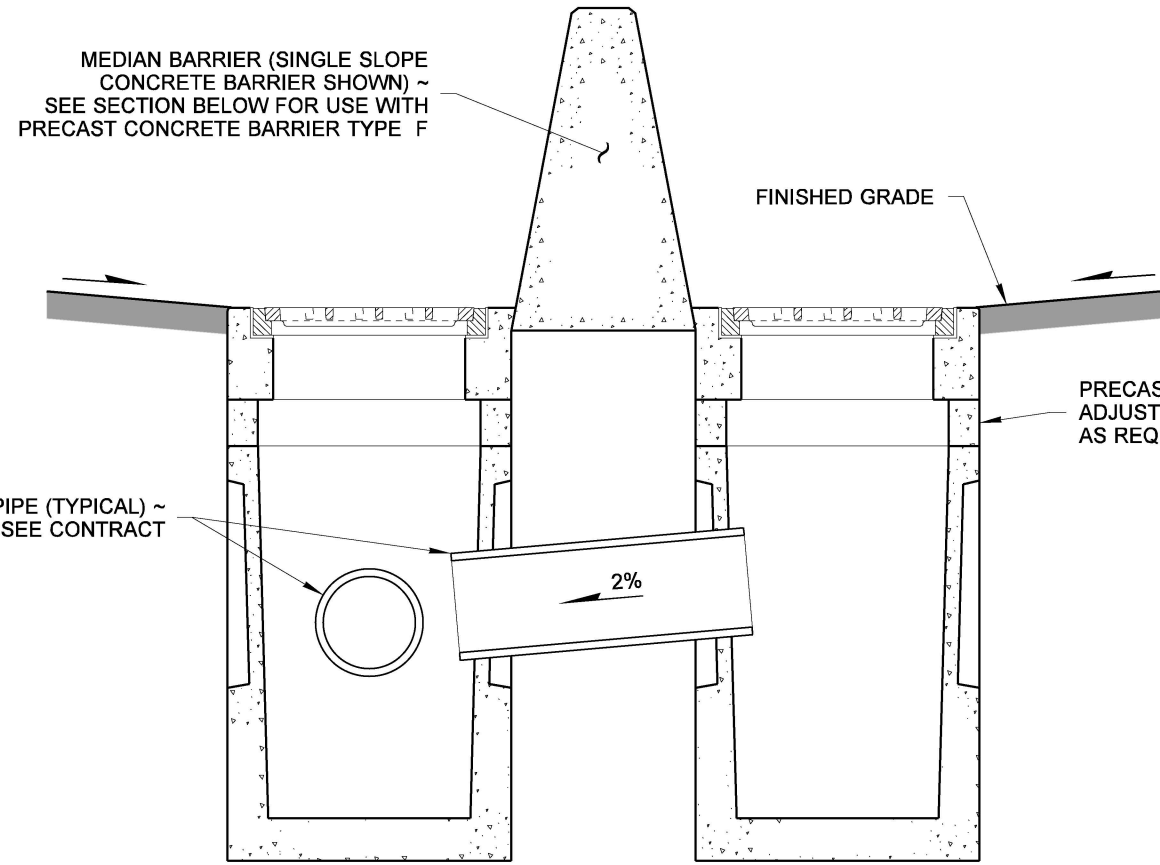


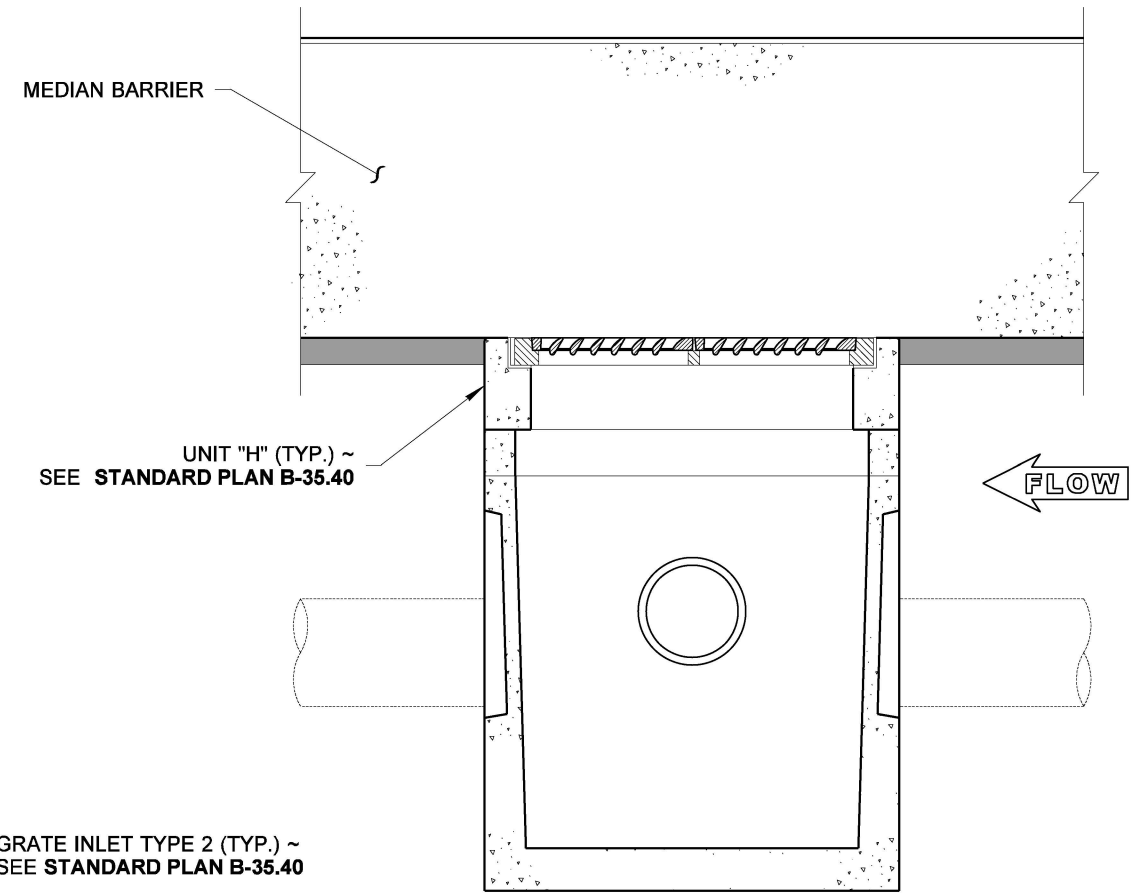
DRAWN BY: FERN LIDDELL



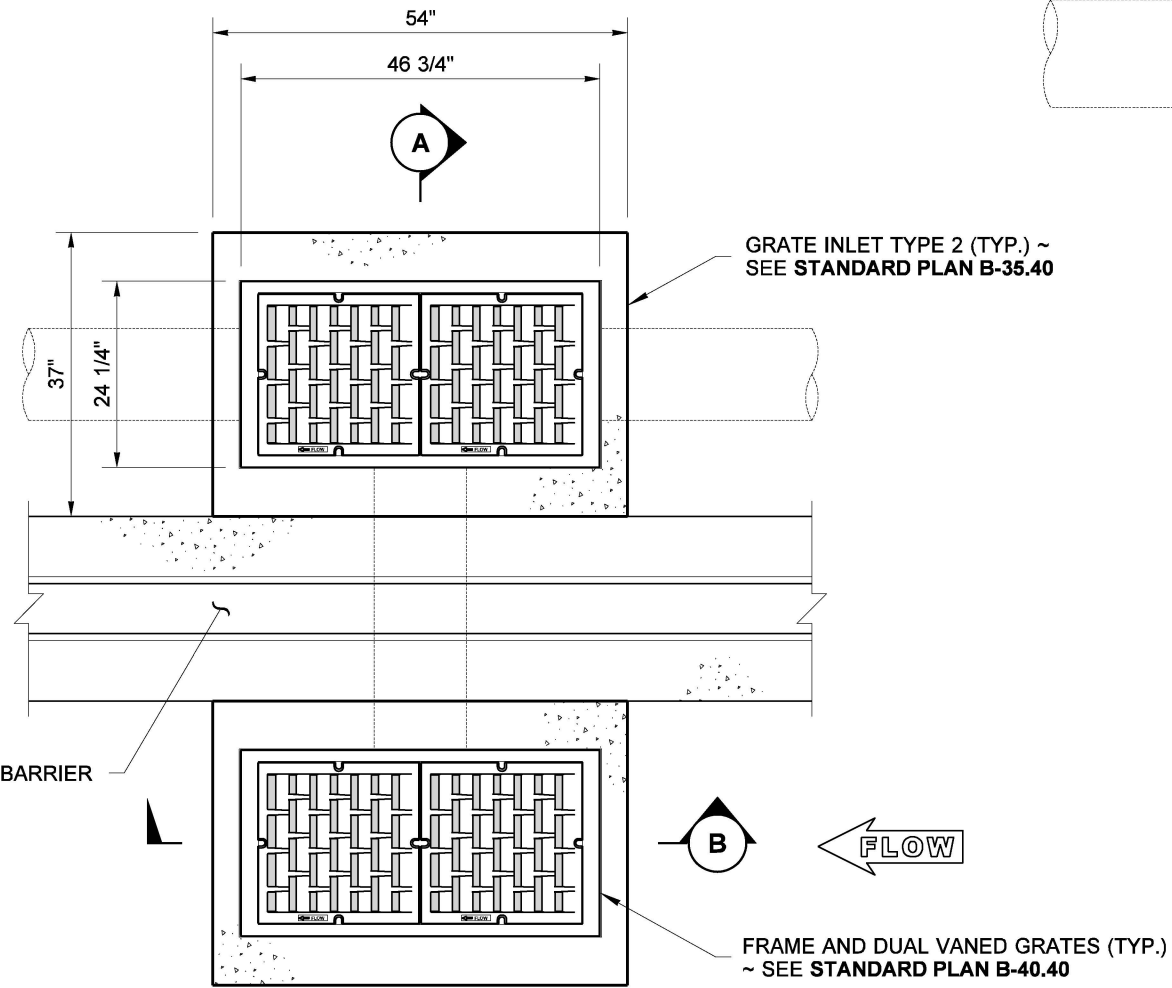
SECTION A

**NOTE**

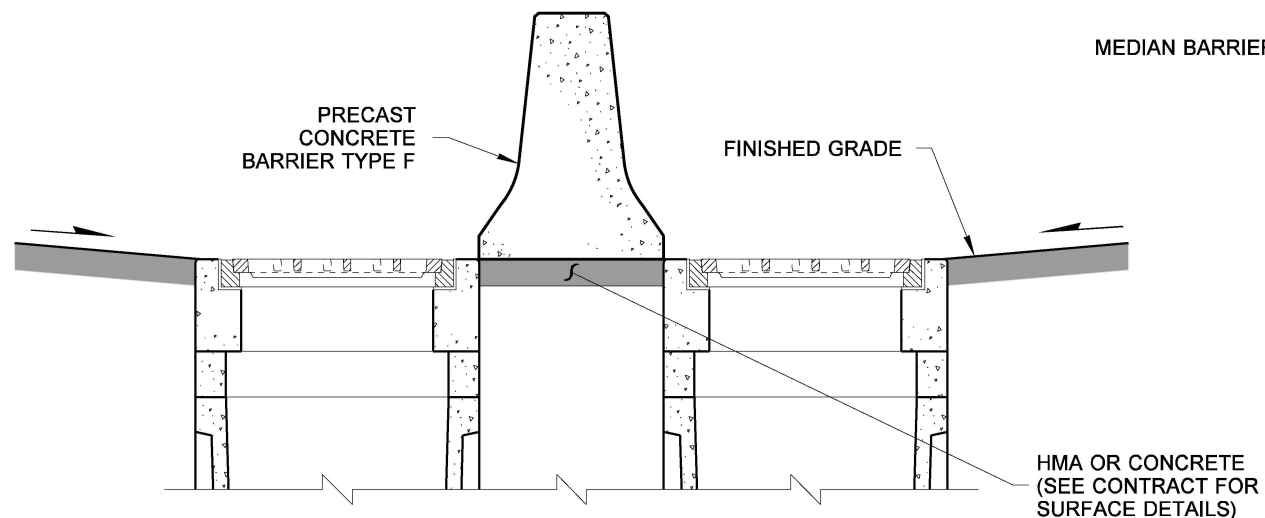
1. Grate Inlet Type 2 shown, but design parameters apply to all drainage structure types.



SECTION B



PLAN VIEW



CONCRETE BARRIER TYPE 2 SECTION

SEE SECTION A



Aug 17, 2021

**MEDIAN BARRIER  
DRAINAGE INSTALLATION  
STANDARD PLAN B-95.20-02**

SHEET 1 OF 1 SHEET

APPROVED FOR PUBLICATION

Aug 17, 2021

STATE DESIGN ENGINEER



Washington State Department of Transportation