

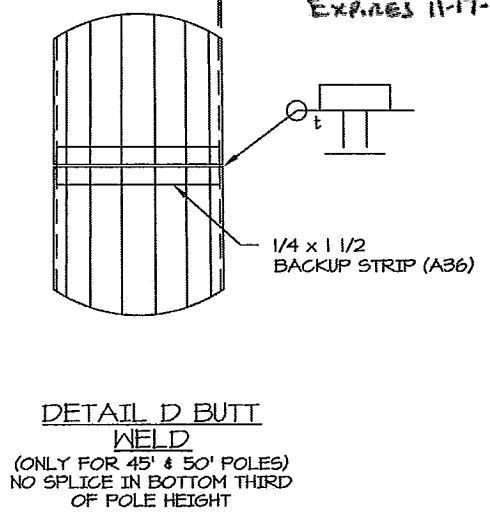
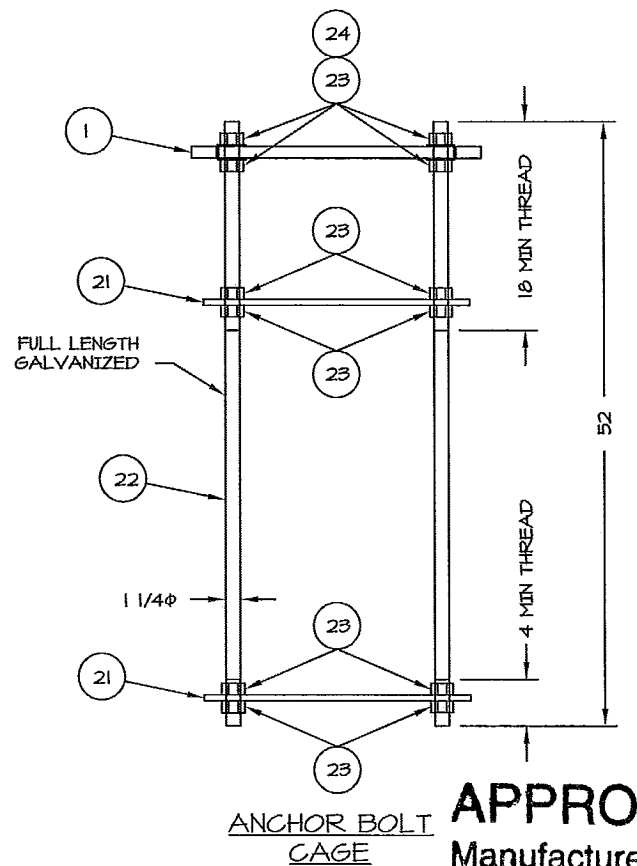
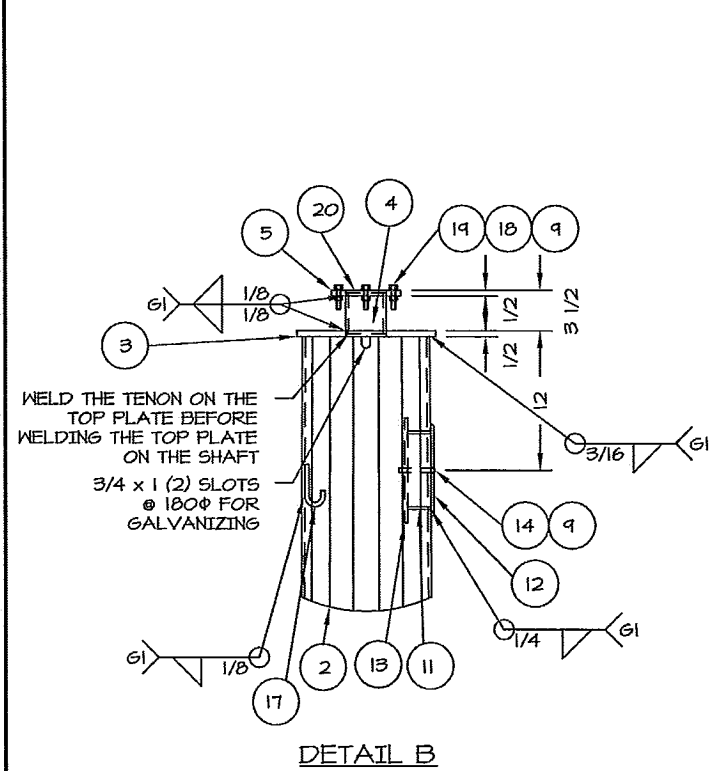
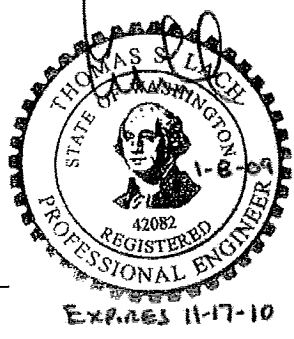
POLE CHART

POLE PART NUMBER	HEIGHT (ft)	WEIGHT (Lbs)	CALCULATED DEFLECTION @ 70 mph	CALCULATED DEFLECTION @ 35 mph	CALCULATED DEFLECTION @ 30 mph	SHAFT DIMENSIONS AND DETAILS							BASE PLATE DETAILS		TOP PLATE PART NUMBER	
						PART NUMBER	LENGTH (ft)	AFB (in)	AFT (in)	THK** (in)	DWB (in)	DBT (in)	MATERIAL	PART NUMBER		"B" THICK
9013-16-0001-25	25	551	0.6"	0.2"	0.1"	200-16-01-001-25	25	12.5	9	0.1345	39.05	27.91	A1011 GR50	211-16-01-001-25	1"	210-00-L04-013-25
9013-16-0001-30	30	637	1.0"	0.3"	0.3"	200-16-01-001-30	30	13	9	0.1345	40.63	27.91	A1011 GR50	211-16-01-001-30	1"	210-00-L04-013-25
9013-16-0001-35	35	716	1.4"	0.4"	0.3"	200-16-01-001-35	35	14.5	9	0.1345	43.41	27.91	A1011 GR50	211-16-01-001-35	1-1/4"	210-00-L04-013-25
9013-16-0001-40	40	1191	1.8"	0.4"	0.3"	200-16-01-001-40	40	15.5	10	3/16	48.51	30.21	A512 GR50	211-16-01-001-40	1-1/4"	210-00-L04-013-40
9013-16-0001-45	45	1431	1.4"	0.5"	0.4"	200-16-01-001-45	45	17	11	3/16	53.03	33.99	A512 GR50	211-16-01-001-45	1-1/4"	210-00-L04-013-45
9013-16-0001-50	50	2091	1.4"	0.5"	0.4"	200-16-01-001-50	50	18	11	1/4	55.93	33.66	A512 GR50	211-16-01-001-50	1-1/4"	210-00-L04-013-45

\*Poles with 45' & 50' heights have two sections.

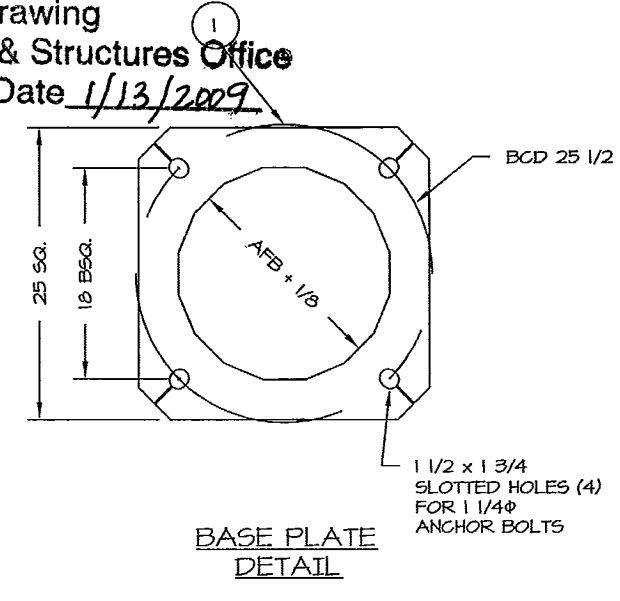
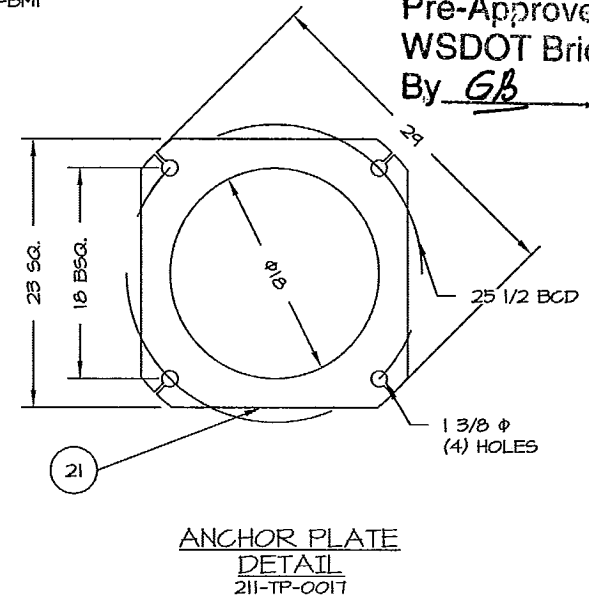
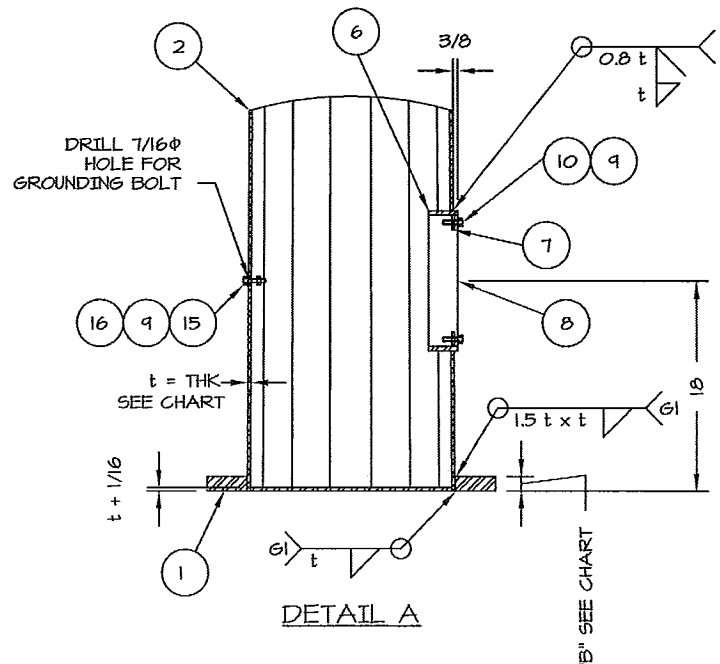
Notes:

- DESIGN STANDARDS: AASHTO 2001-Standard Specifications for Structural Support for Highway, Signs, Luminaires, and Traffic Signals.
  - Design wind speed - 90 mph
  - Design life/recurrence interval - 50 years.
  - Loading: (1) Camera - EPA 4 sq. ft. @ 2 ft above top of pole and (1) Dish - EPA 1 sq. ft. @ top of the pole.
- WELDING: All welding per latest edition of AWS Structural Welding Code D1.1 Steel.
- FINISH: All steel shall be hot dip galvanized after fabrication as per ASTM A123/A153. The Silico content of the galvanized steel shall be  $Si \leq 0.04\%$  or  $0.15\% \leq Si \leq 0.25\%$
- Anchor bolt plates and anchor bolts are supplied only if required.
- Maximum allowed deflection: 1.4" @ 70 mph and 0.7" @ 30 mph.
- Customer to confirm the dimensions of the camera mounting plate (bolt circle diameter, bolt holes & thickness) and the connection bolt size prior to fabrication.
- \*\*0.1345" is nominal thickness. Minimum thickness is 0.1265".




BILL OF MATERIALS FOR POLE ASSEMBLY				
#	QTY	PART NUMBER	DESCRIPTION	MATERIAL
1	1	See Chart	Base plate, 25" Sq., 25-1/2" BCD, Thickness - See Chart	A512 GR50
2	1	See Chart	16 Sided Shaft, See Chart	See Chart
3	1	See Chart	Top Plate, 3-4/16" ID, 1/2" Thick	A36/A512 GR50
4	1	121-300-0010	3" Sch.40 Pipe, 3-1/2" OD, Length 3-1/2"	A53 GRB
5	1	210-00-L04-01	Camera Mounting Plate, 6" O.D., 4-3/4" BCD, 1/2" Thick	A36/A512 GR50
6	1	230-R6-FL04	Hand Hole Ring, 5-3/8" x 12" x 2-1/2", 3/8" Thick	ASTM A36
7	2	230-TA-F03	Hand Hole Tab, 1/4" Thick	ASTM A36
8	1	230-CO-FL01	Hand Hole Cover, 5-7/8" x 12-1/2", 10GA Thick	A1011-50
9	14	154-FWN-5011	3/8" Flat Washer Narrow	18-8 SS
10	2	151-HR5-03T5-08	3/8"-16 Hex Head Regular Bolt, Length 1-1/4", Full Thread	18-8 SS
11	1	230-R6-F03	Hand Hole Ring, 4-1/4" x 6-3/4" x 2", 1/4" Thick	ASTM A36
12	1	230-CO-F01	Hand Hole Cover, 10GA Thick	A1011-50 or A36
13	1	230-CB-00001	Cover Bar, 1/4" x 1-1/2" Flat Bar, Length 9"	ASTM A36
14	1	151-HR5-03T5-23	3/8"-16 Hex Head Regular Bolt, Length 3"	18-8 SS
15	1	151-HR5-03T5-10	3/8"-16 Hex Head Regular Bolt, Length 1-1/2", Full Thread	18-8 SS
16	2	153-HRN-5005	3/8"-16 Hex Regular Nut	18-8 SS
17	1	245-JH-00001	J Hook, 3/8" Hot Rolled Round, Length 5-7/16	ASTM A36
18	4	153-HL-5005	3/8"-16 Hex Nylon-Insert Locknut	18-8 SS
19	4	151-HR5-03T5-135	3/8"-16 Hex Head Regular Bolt, Length 1-3/4", Stainless Steel	ASTM F543
20	1	220-SQ-00002-07	Cover Plate, 4-3/4" Sq., 4-3/4" BCD, 1/8" or 10GA Thick.	A36/A607 GR50
BILL OF MATERIALS FOR ANCHOR BOLT CAGE				
21	2	211-TP-0017	Anchor Plate, 23" Sq., 25-1/2" BCD, 1/2" Thick	A36/A512 GR50
22	4	160-L25-0007	Anchor Bolt, 1-1/4" φ, 52" Long, Galvanized	F1554 GR105 or AASHTO M164
23	24	153-H2H-6010	1-1/4"-7 Heavy Hex Nut	ASTM A194 Gr.2H Galvanized
24	8	154-FWN-6014	1-1/4" Flat Washer Narrow, Galvanized	ASTM F436

**APPROVED**  
 Manufacturer's Pole Plan  
 Approved For Listing As A  
 Pre-Approved Drawing  
 WSDOT Bridge & Structures Office  
 By GB Date 1/13/2009



DRK	IC	01-06-09	UPDATE DRAWINGS AS PER GB MARK UPS DATED 12-30-08
DRK	IB	12-20-08	UPDATE DRAWINGS AS PER GB MARK UPS DATED 12-17-08
DRK	IA	12-11-08	UPDATE DRAWINGS AS PER GB MARK UPS DATED 12-11-08
BY	REV	DATE	DESCRIPTION



**CAMERA POLES**  
STATE OF WASHINGTON  
ASSEMBLY DETAILS

American Pole Structures LLC  
 Sedro Woolley, WA  
 PH: 360-855-0737 FX: 360-855-1692

REVISION:	OA
SHEET SIZE:	B
APPROVED BY:	DAB
SCALE:	3/4" = 1'-0"
DATE:	07-06-08
DRAWN:	DRK
SHEET:	2 OF 2

WS-CP-01