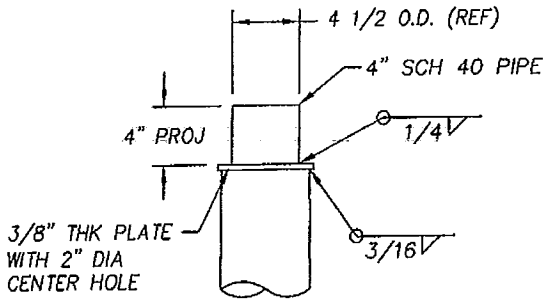


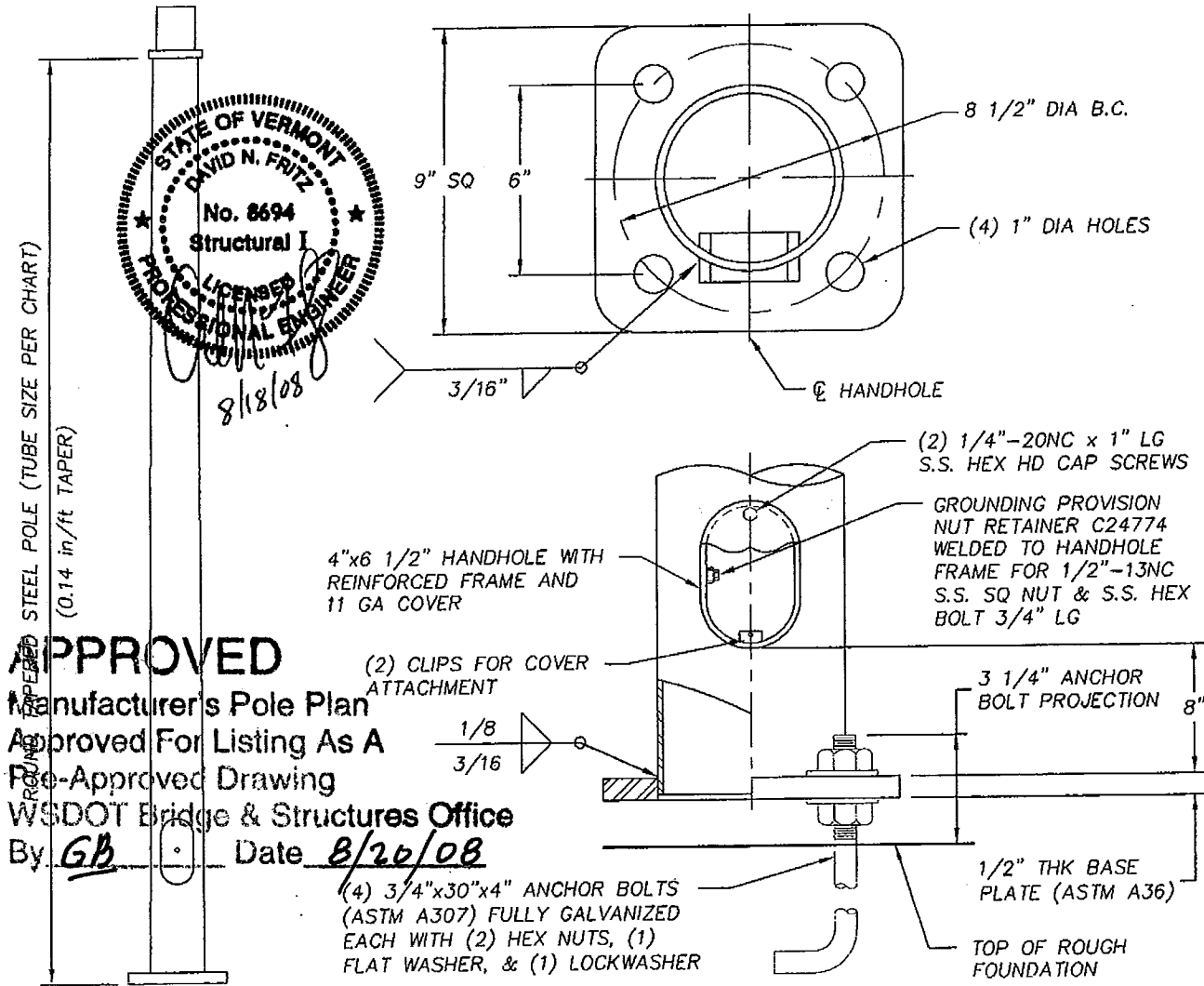
U.M.C. DESIGN NUMBER	POLE TYPE	TUBE SIZE
TA-10025-A	PS	11E-6.50x5.43x7'-8"
TA-10025-B	I	11E-6.50x5.15x9'-8"

DESIGN CRITERIA:

1. DESIGNED IN ACCORDANCE WITH THE STANDARD SPECIFICATIONS FOR STRUCTURAL SUPPORTS FOR HIGHWAY SIGNS, LUMINAIRES, & TRAFFIC SIGNALS, 4TH EDITION (AASHTO 2001) FOR 90 MPH WIND ZONE AND 50 YEAR DESIGN LIFE.
2. ANCHOR BOLTS ANALYZED FOR STEEL STRENGTH ONLY. THE ANCHOR BOLT EMBEDMENT LENGTH SHOWN ON THIS DRAWING SHALL BE VERIFIED BY THE FOUNDATION ENGINEER.
3. THE EXPOSED LENGTH OF THE ANCHOR BOLT BETWEEN THE TOP OF THE FOUNDATION AND THE BOTTOM OF THE LEVELING NUT SHOULD NOT EXCEED ONE BOLT DIAMETER.
4. STRUCTURE FINISH TO BE HD GALV TO ASTM A123 AND HARDWARE FINISH TO BE HD GALV TO ASTM A153.



TENON MOUNT POLE TOP DETAIL



STATE OF VERMONT
 DAVID N. FRITZ
 No. 8694
 Structural I
 LICENSED PROFESSIONAL ENGINEER
 8/18/08

REVISIONS TO
 APPROVED
 MANUFACTURER'S POLE PLAN
 APPROVED FOR LISTING AS A
 PRE-APPROVED DRAWING
 WSDOT BRIDGE & STRUCTURES OFFICE
 BY GB DATE 8/26/08

APPROVED

MANUFACTURER'S POLE PLAN
 APPROVED FOR LISTING AS A
 PRE-APPROVED DRAWING
 WSDOT BRIDGE & STRUCTURES OFFICE
 BY GB DATE 8/26/08

NO.	DATE	DESCRIPTION	BY	CHKD	REVISIONS
R14	20273-31	HANDHOLE SIZE WAS 3"x5", TYPE PS POLE SIZE WAS 11E-5.07, TYPE I POLE SIZE WAS 11E-5.35, DESIGN LIFE WAS 25 YEARS, REVISED POLE TOP DETAIL (ADDED ADAPTER PLATE)	JMW	LRB	8/12/08
R13		ADDED ROUND EDGES NOTE, LEG DIMENSION FOR A.BOLT	LCV	CXC	3/17/04
R12		REVISED TO AASHTO 2001	LCV	CXC	11/25/03

STD. SIGNAL WITH POST TOP, TYPE PS & I STATE OF WASHINGTON D.O.T.	
LOF REQ.# 0408-06-95	ENG. REF.# S.O.# CAD# TA-10025
DRAWN <u>R.T.</u> DATE <u>10/20/75</u> CHECKED <u>CA</u>	DRAWING NO. TA-10025

REVISIONS