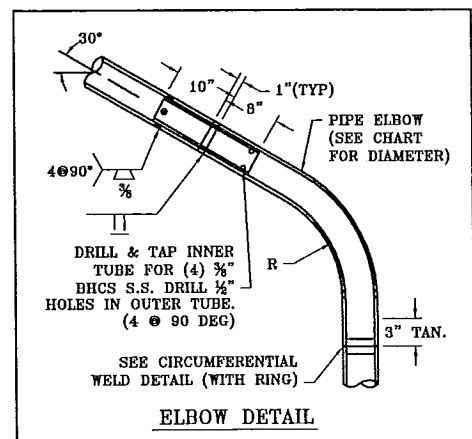


POLE DATA				
MOUNTING HEIGHT (FT)	BASE DIAMETER (IN)	TOP DIAMETER (IN)	THICKNESS (IN)	TOTAL LENGTH (FT)
25.0	7.38	5.0	.188	17.0
30.0	8.08	5.0	.188	22.0
35.0	8.78	5.0	.188	27.0
40.0	9.48	5.0	.188	32.0
45.0	10.18	5.0	.188	37.0
50.0	10.88	5.0	.188	42.0



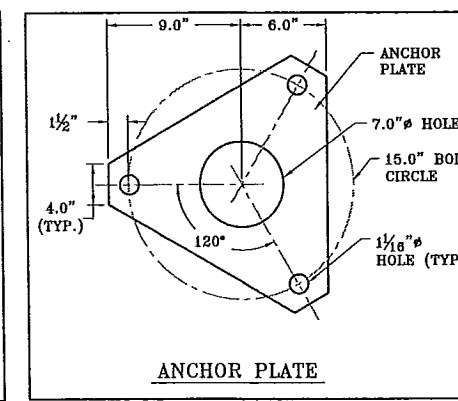
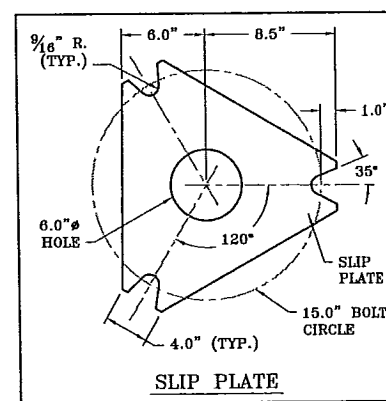
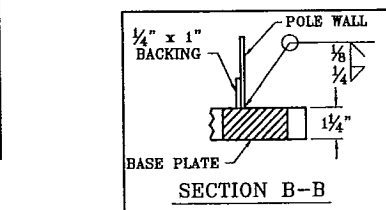
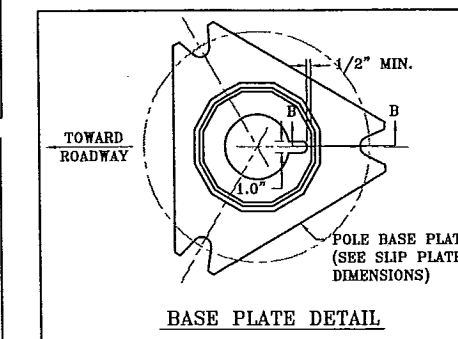
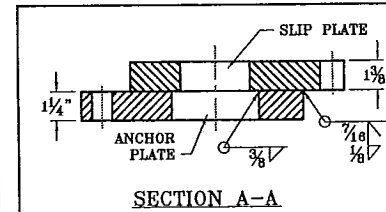
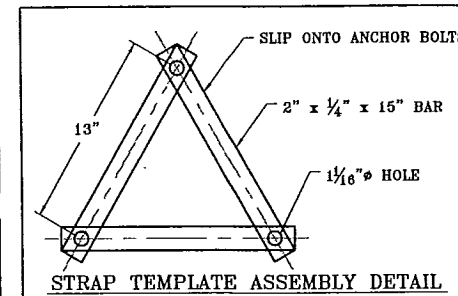
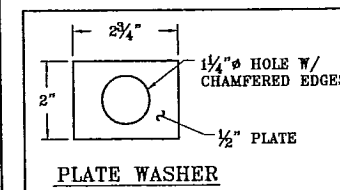
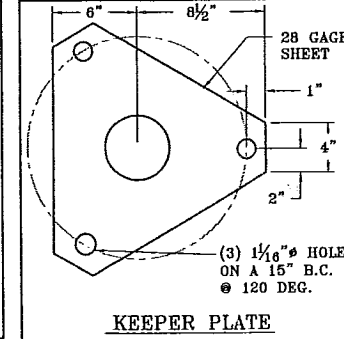
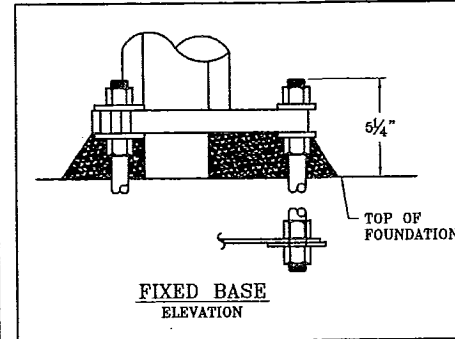
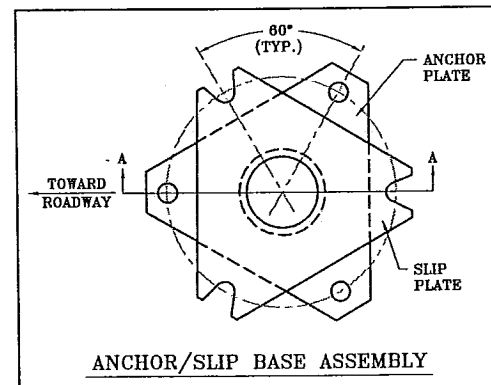
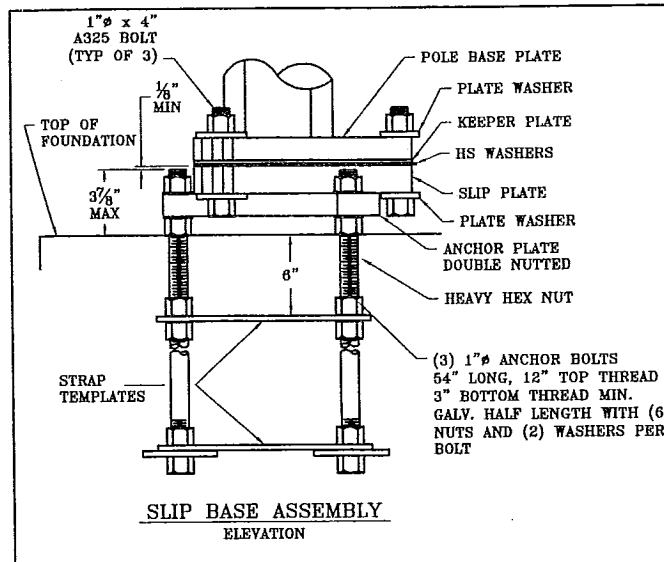
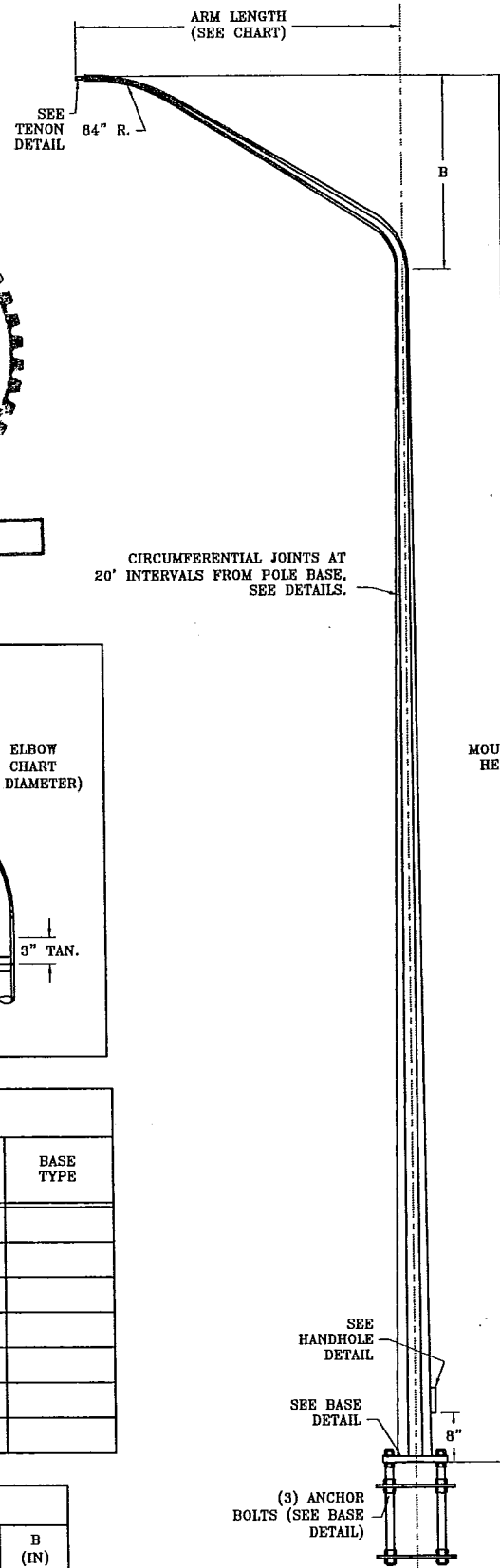
EXPIRES: 4/20/10



POLE SCHEDULE			
POLE NUMBER	MOUNTING HEIGHT (FT)	ARM LENGTH (FT)	BASE TYPE

LUMINAIRE ARM DATA				
ARM LENGTH (FT)	ELBOW DIAMETER (IN) (L)	R (IN)	THICKNESS (IN)	B (IN)
6	4	12	.188	24
8	4	12	.188	36
10	4	12	.188	51
12	4	12	.188	65
14	4	12	.188	79
16	4	12	.188	93

(1) ELBOWS TO BE MADE FROM STD PIPE



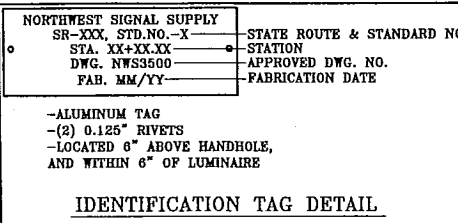
NOTES:

DESIGN CRITERIA
 2001 AASHTO STANDARD SPECIFICATIONS FOR STRUCTURAL SUPPORTS FOR HIGHWAY SIGNS, LUMINAIRES, AND TRAFFIC SIGNALS.
 -90 MPH 3 SECOND GUST
 -50 YEAR DESIGN LIFE/RECURRENCE INTERVAL
 -FATIGUE CATEGORY III

CAFL AT CRITICAL CONNECTIONS
 -POLE TO BASE PLATE CONNECTION = E
 -LUMINAIRE SLIP FIT CONNECTION = B
 -POLE SHAFT = B'

GENERAL
 -POLE AND LUMINAIRE ARMS SHALL BE DODECAGONAL IN CROSS SECTION. POLE SHAFT SHALL HAVE TAPER OF 0.14 IN/FT.
 -FABRICATION SHALL CONFORM TO 2001 AASHTO STANDARD SPECIFICATIONS FOR STRUCTURAL SUPPORTS FOR HIGHWAY SIGNS, LUMINAIRES, AND TRAFFIC SIGNALS AND AWS D1.1 STRUCTURAL STEEL WELDING CODE.

MATERIALS
 -ALL STEEL IN TUBES, BASE PLATES, FLANGE PLATES, GUSSET PLATES & HANDHOLE FRAMES SHALL CONFORM TO ASTM A572 GR50.
 -ANCHOR BOLTS SHALL CONFORM TO ASTM F1554 GR 105, NUTS SHALL CONFORM TO ASTM A563 GR DH HEAVY HEX, WASHERS SHALL CONFORM TO ASTM F436 TYPE I.
 -ANCHOR PLATE SHALL CONFORM TO ASTM A36.
 -CONNECTION BOLTS SHALL CONFORM TO ASTM A325, NUTS SHALL CONFORM TO ASTM A563 GR DH HEAVY HEX, WASHERS SHALL CONFORM TO ASTM F436 TYPE I.
 -GALVANIZING SHALL CONFORM TO ASTM A123 & A153.
 -HANDHOLE COVERS SHALL CONFORM TO ASTM A1011 GR50.
 -ALL PIPE TENONS AND WIRE GUIDES SHALL CONFORM TO ASTM A53 GR B.
 -FASTENERS LESS THAN 1/2 IN DIAMETER SHALL BE STAINLESS STEEL OR BRASS.
 -PLATE WASHERS SHALL CONFORM TO ASTM A36.
 -KEEPER PLATE SHALL CONFORM TO ASTM A653 COATING DESIGNATION G 90.



APPROVED
 Manufacturer's Pole Plan
 Approved For Listing As A
 Pre-Approved Drawing
 WSDOT Bridge & Structures Office
 By GB Date 8/6/2008

NO.	REVISION	DATE
1	NEW BOARDER, MINOR DESIGN CHANGES	6/08

NORTHWEST SIGNAL SUPPLY, INC
 12965 SW Herman Rd. - Tualatin, OR 97062
 PH: 503-635-4351, FX: 503-635-4341
 www.nwsignal.com

WSDOT LIGHT POLE STANDARD J-1
 WITH TYPE II LUMINAIRE ARM

DESIGNED BY	DATE	CHECKED BY	DATE
D. EMSLIE	6/10/08	J. MEUSCH	6/27/08

DRAWING NUMBER	NWS3515B
SHEET 1 OF 1	
JOB NUMBER	