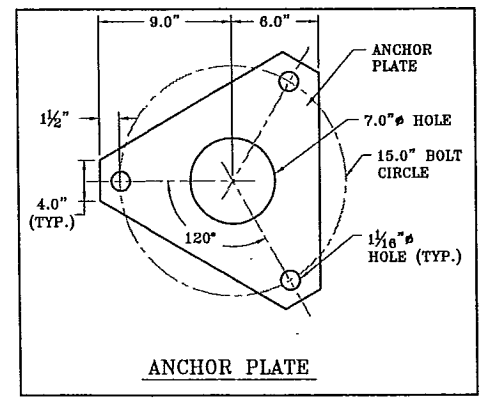
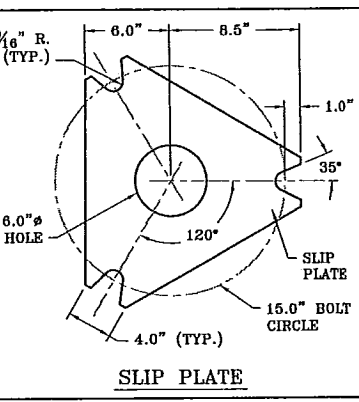
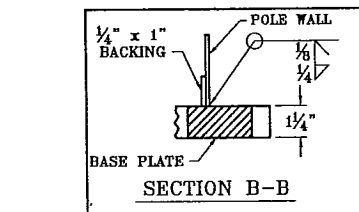
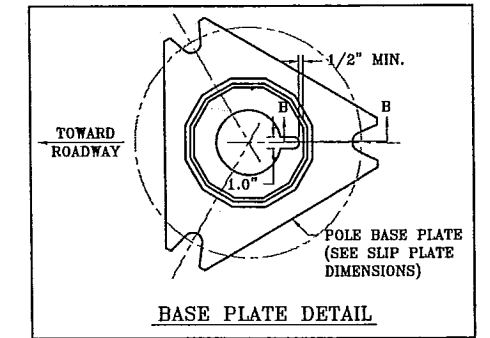
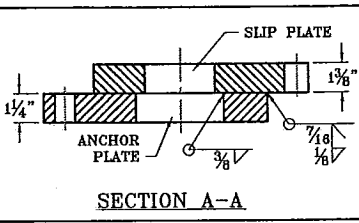
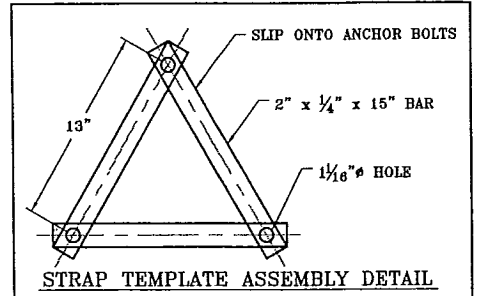
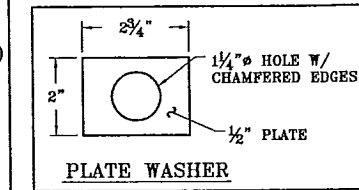
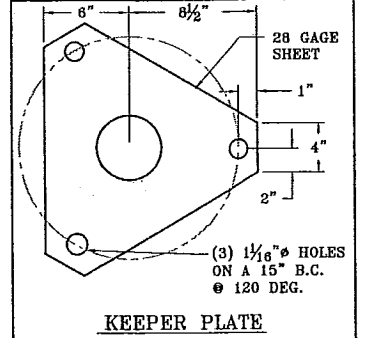
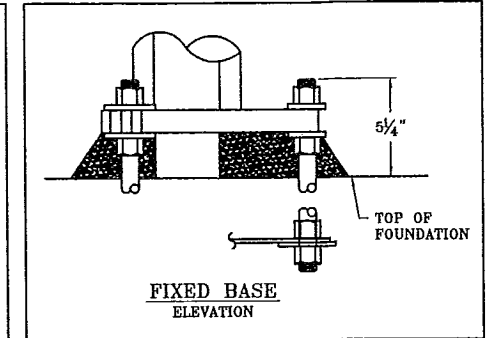
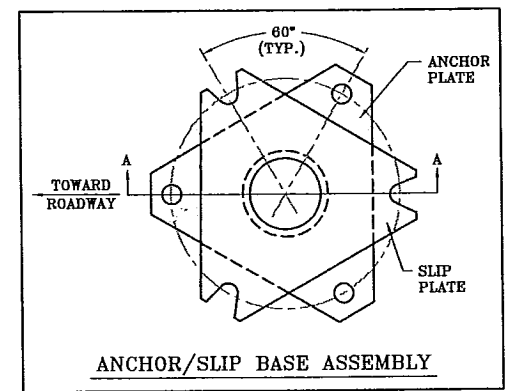
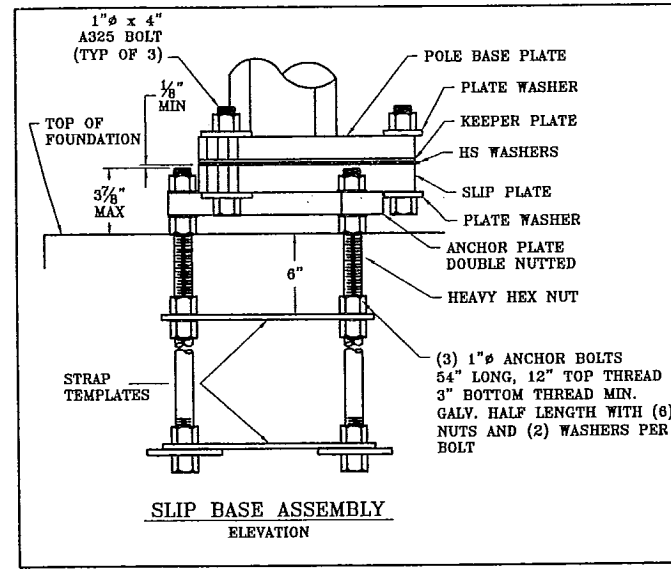
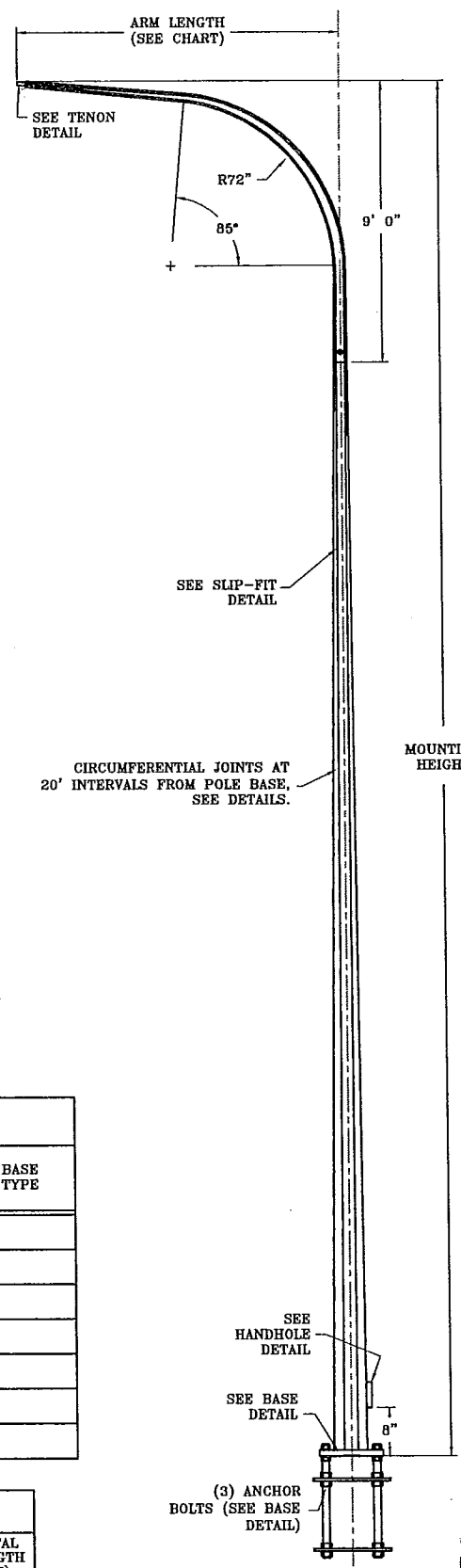


EXPIRES: 4/20/10

POLE SCHEDULE			
POLE NUMBER	MOUNTING HEIGHT (FT)	ARM LENGTH (FT)	BASE TYPE

POLE DATA				
MOUNTING HEIGHT (FT)	BASE DIAMETER (IN)	TOP DIAMETER (IN)	THICKNESS (IN)	TOTAL LENGTH (FT)
25.0	7.38	5.0	.188	17.0
30.0	8.08	5.0	.188	22.0
35.0	8.78	5.0	.188	27.0
40.0	9.48	5.0	.188	32.0
45.0	10.18	5.0	.188	37.0
50.0	10.88	5.0	.188	42.0

LUMINAIRE ARM DATA				
ARM LENGTH (FT)	BASE DIAMETER (IN)	END DIAMETER (IN)	THICKNESS (IN)	TOTAL LENGTH (FT)
6	5.75	4	.188	11.5
8	5.75	3.75	.188	13.5
10	5.75	3.5	.188	15.5
12	5.75	3.25	.188	17.5
14	5.75	3	.188	19.5
16	5.75	2.75	.188	21.5



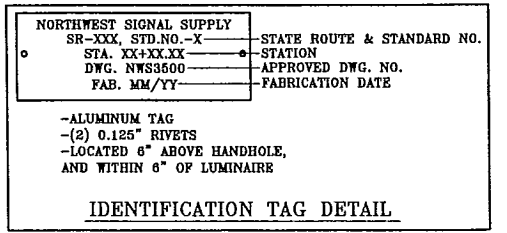
**NOTES:**

**DESIGN CRITERIA**  
 2001 AASHTO STANDARD SPECIFICATIONS FOR STRUCTURAL SUPPORTS FOR HIGHWAY SIGNS, LUMINAIRES, AND TRAFFIC SIGNALS.  
 -90 MPH 3 SECOND GUST  
 -50 YEAR DESIGN LIFE/RECURRENCE INTERVAL  
 -FATIGUE CATEGORY III

**CAUTION AT CRITICAL CONNECTIONS**  
 -POLE TO BASE PLATE CONNECTION = E  
 -LUMINAIRE SLIP FIT CONNECTION = B  
 -POLE SHAFT = B'

**GENERAL**  
 -POLE AND LUMINAIRE ARMS SHALL BE DODECAGONAL IN CROSS SECTION. POLE SHAFT SHALL HAVE TAPER OF 0.14 IN/FT.  
 -FABRICATION SHALL CONFORM TO 2001 AASHTO STANDARD SPECIFICATIONS FOR STRUCTURAL SUPPORTS FOR HIGHWAY SIGNS, LUMINAIRES, AND TRAFFIC SIGNALS AND AWS D1.1 STRUCTURAL STEEL WELDING CODE.

**MATERIALS**  
 -ALL STEEL IN TUBES, BASE PLATES, FLANGE PLATES, GUSSET PLATES & HANDHOLE FRAMES SHALL CONFORM TO ASTM A672 GR50.  
 -ANCHOR BOLTS SHALL CONFORM TO ASTM F1554 GR 105, NUTS SHALL CONFORM TO ASTM A563 GR DH HEAVY HEX, WASHERS SHALL CONFORM TO ASTM F436 TYPE I.  
 -ANCHOR PLATE SHALL CONFORM TO ASTM A36.  
 -CONNECTION BOLTS SHALL CONFORM TO ASTM A325, NUTS SHALL CONFORM TO ASTM A563 GR DH HEAVY HEX, WASHERS SHALL CONFORM TO ASTM F436 TYPE I.  
 -GALVANIZING SHALL CONFORM TO ASTM A123 & A153.  
 -HANDHOLE COVERS SHALL CONFORM TO ASTM A1011 GR50.  
 -ALL PIPE TENONS AND WIRE GUIDES SHALL CONFORM TO ASTM A53 GR B.  
 -FASTENERS LESS THAN 1/2 IN DIAMETER SHALL BE STAINLESS STEEL OR BRASS.  
 -PLATE WASHERS SHALL CONFORM TO ASTM A36.  
 -KEEPER PLATE SHALL CONFORM TO ASTM A653 COATING DESIGNATION G 90.



**APPROVED**  
 Manufacturer's Pole Plan  
 Approved For Listing As A  
 Pre-Approved Drawing  
 WSDOT Bridge & Structures Office  
 By GB Date 8/6/2008

NO.	REVISION	DATE
1	NEW BOARDER, MINOR DESIGN CHANGES	6/08

**NORTHWEST SIGNAL SUPPLY, INC**  
 12965 SW Herman Rd. - Tualatin, OR 97062  
 PH: 503-635-4351, FX: 503-635-4341  
 www.nwsignal.com

WSDOT LIGHT POLE STANDARD J-1 WITH TYPE I LUMINAIRE ARM

DESIGNED BY	DATE	CHECKED BY	DATE
D. EMSLIE	6/10/08	J. MEUSCH	6/27/08

DRAWING NUMBER: NWS3510B  
 SHEET 1 OF 1  
 JOB NUMBER: