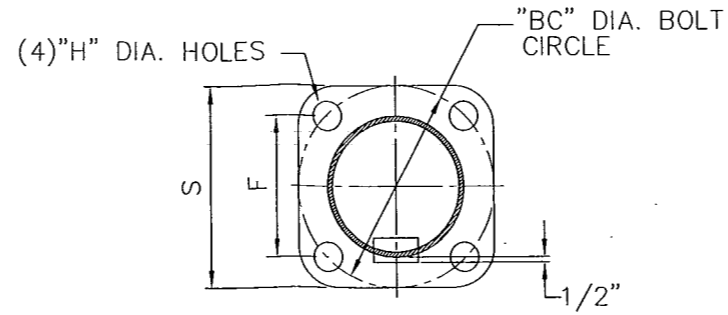
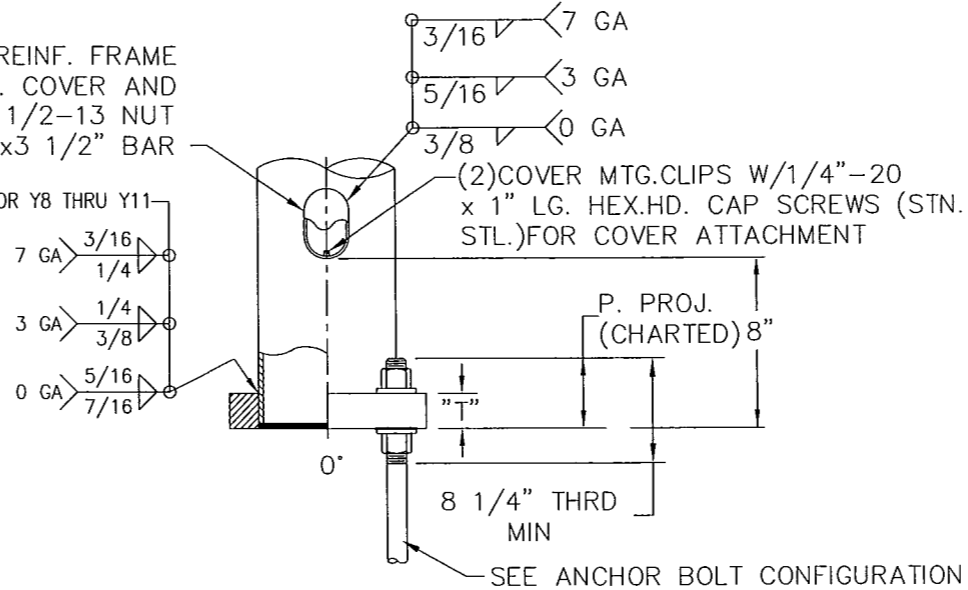


HANDHOLE BAR DETAIL

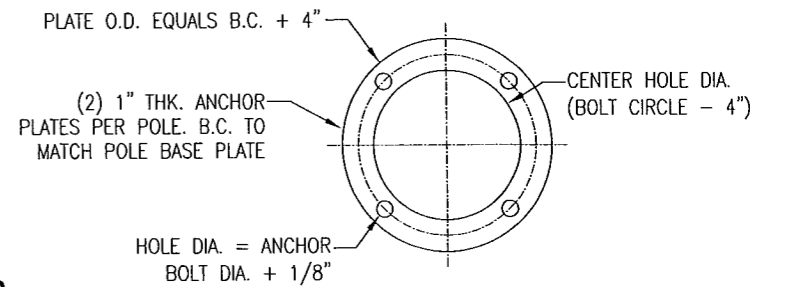
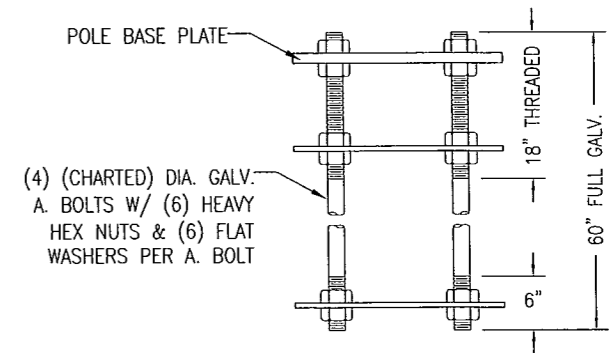


4"x6 1/2" REINF. FRAME
W/ 11 GA. GALV. STL. COVER AND
GRND. NUT RETAINER FOR 1/2-13 NUT
3/4"x3 1/2" BAR

SEE WELD DETAIL FOR Y8 THRU Y11

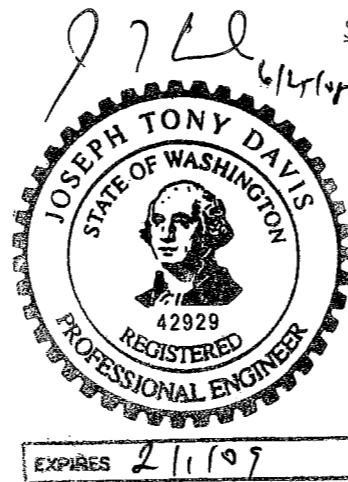


SINGLE PLY BASE &
HANDHOLE DETAIL



ANCHOR BOLT CONFIGURATION
(SHIPPED UNASSEMBLED)

U.M. DESIGN NUMBER	BASE PLATE DATA						P. PROJ.
	"BC"	S	F	"H"	"T"	A.BOLT SIZE	
71026-B87-Y1							
71026-B87-Y2							
71026-B87-Y3							
71026-B87-Y4	18"	18"	12 3/4"	1 3/4"	1 1/2"	1 1/2" x 60"	6 1/4"
71026-B87-Y5							
71026-B87-Y6							
71026-B87-Y7							
71026-B87-Y8							
71026-B87-Y9	22"	22"	15 9/16"	2 3/8"	2"	2" x 60"	8 1/4"
71026-B87-Y10							
71026-B87-Y11							



APPROVED
Manufacturer's Pole Plan
Approved For Listing As A
Pre-Approved Drawing
WSDOT Bridge & Structures Office
By GB Date 8/20/08

REVISIONS	

TYPE III STEEL COMBINATION TRAFFIC & STREET LIGHTING POLES, TYPE 1 LUM. ARM
STATE OF WASHINGTON DOT

LOF _____ ENG. REF. # _____
REQ. # 0873-07-1 S.O. # _____ CAD# _____

Union Metal CORPORATION R8

DRAWN LCV DATE 3/4/03 CHECKED EBL

DRAWING NO. **71026-B87**
SHT. 3 OF 3