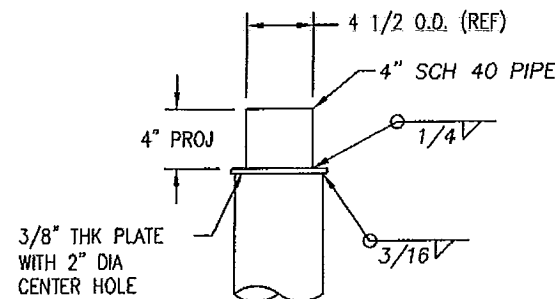
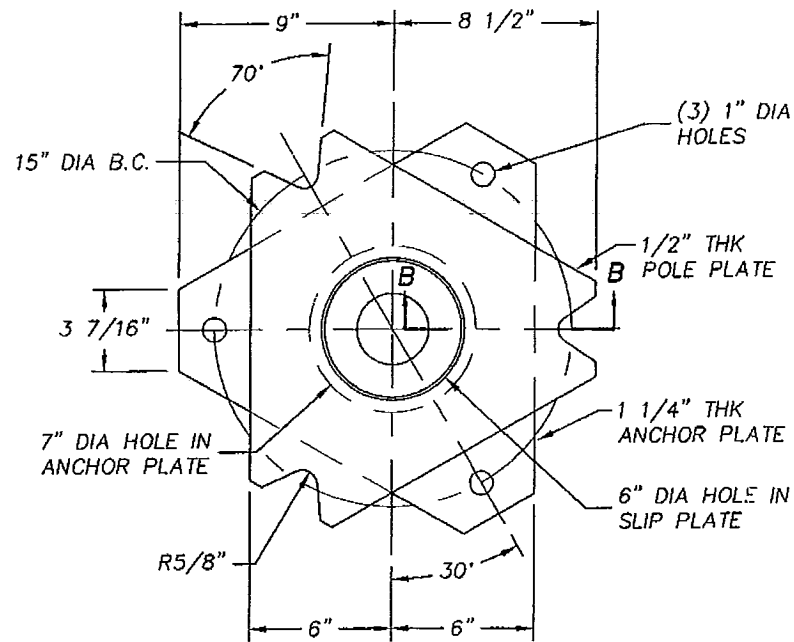


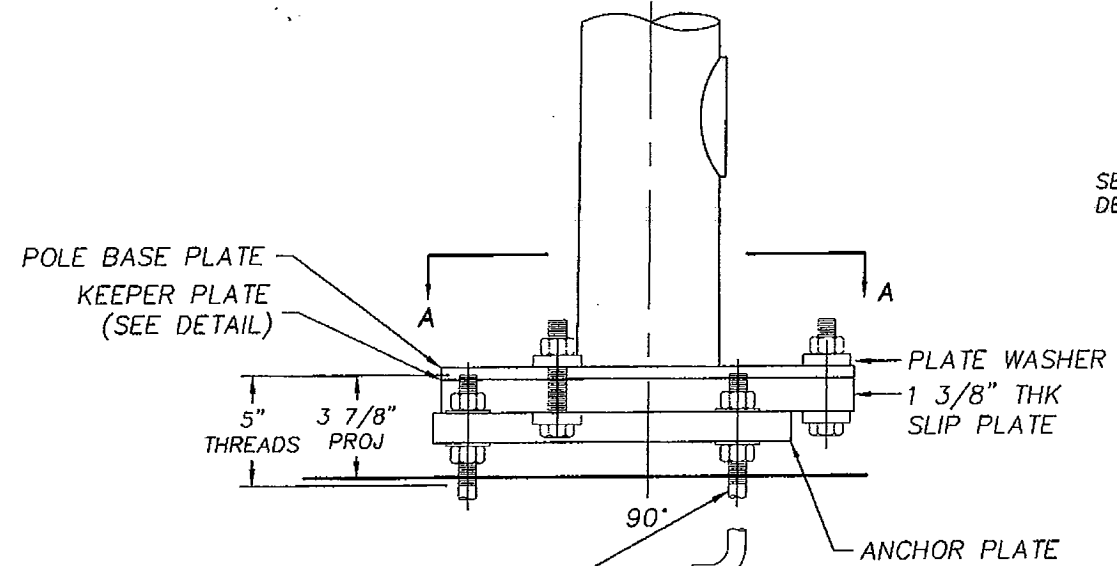
U.M.C. DESIGN NUMBER	POLE TYPE	HEIGHT	TUBE SIZE
50200-Y157	RM	10'-0"	11E-6.50x5.15x9'-8"
50200-Y158	FB	14'-0"	11E-6.50x4.59x13'-8"



TENON MOUNT POLE TOP DETAIL



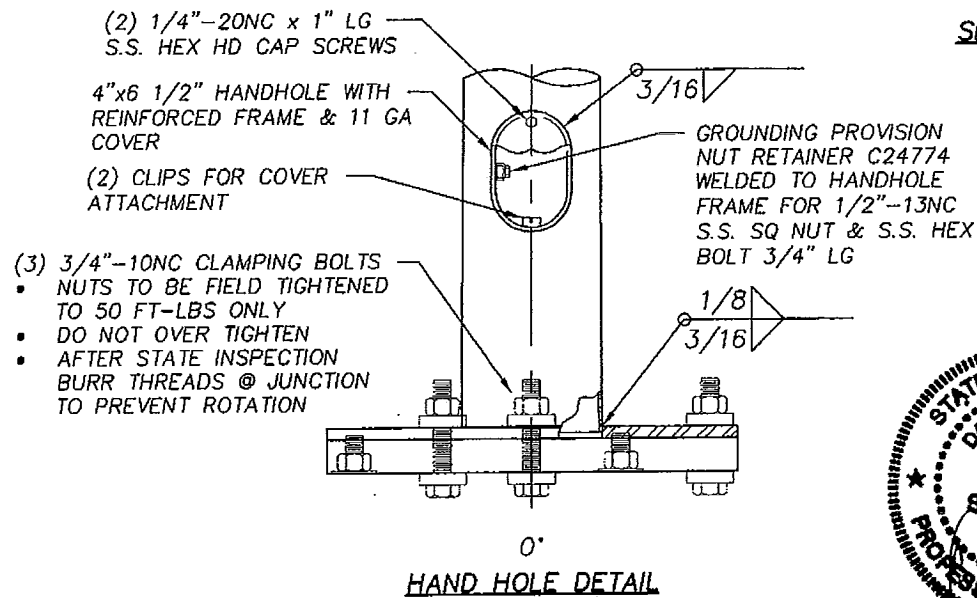
SLIP/ANCHOR PLATE DETAIL



(3) 3/4"x30"x4" ANCHOR BOLTS EACH WITH (2) HEAVY HEX NUTS AND (2) HARDENED WASHERS ANCHOR BOLTS FULLY GALVANIZED AND TO BE CERTIFIED TO ASTM A307 PRIOR TO GALVANIZING

SLIP BASE ASSEMBLY

APPROVED
 Manufacturer's Pole Plan
 Approved For Listing As A
 Pre-Approved Drawing
 WSDOT Bridge & Structures Office
 By GB Date 8/20/08



HAND HOLE DETAIL

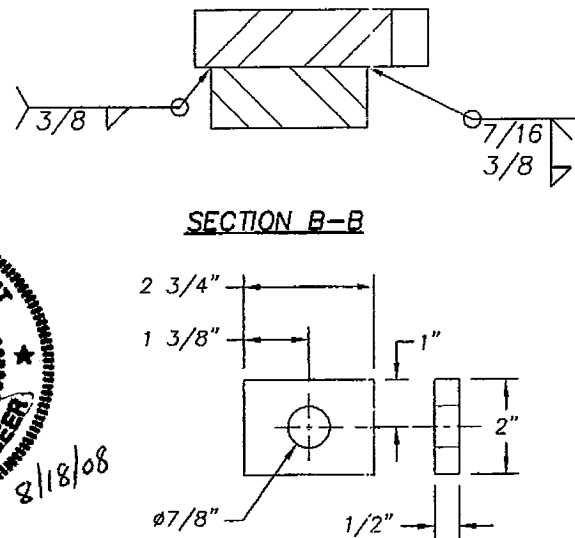
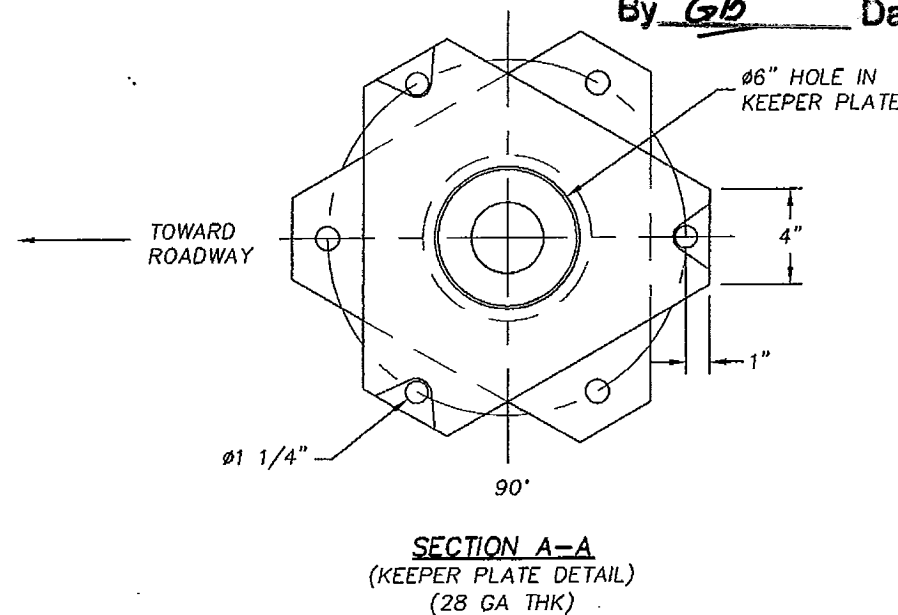
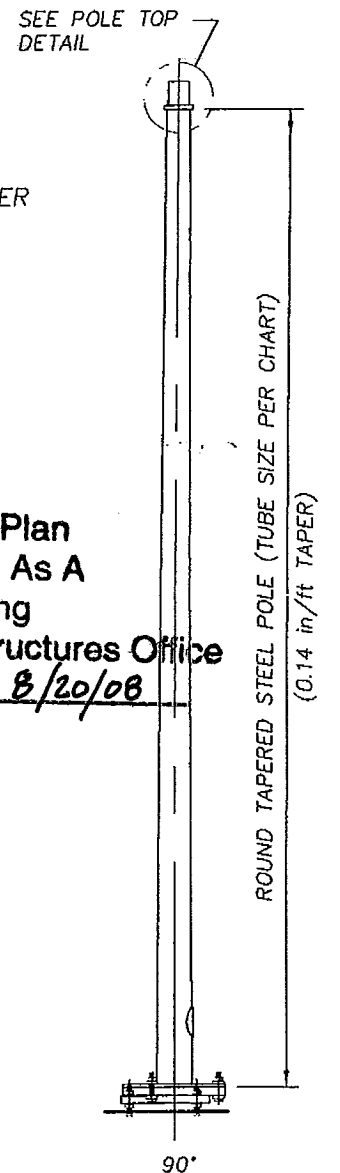


PLATE WASHER

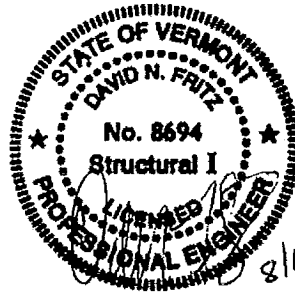


SECTION A-A
 (KEEPER PLATE DETAIL)
 (28 GA THK)



DESIGN CRITERIA:

- DESIGNED IN ACCORDANCE WITH THE STANDARD SPECIFICATIONS FOR STRUCTURAL SUPPORTS FOR HIGHWAY SIGNS, LUMINAIRES, & TRAFFIC SIGNALS, 4TH EDITION (AASHTO 2001) FOR 90 MPH WIND ZONE AND 50 YEAR DESIGN LIFE.
- ANCHOR BOLTS ANALYZED FOR STEEL STRENGTH ONLY. THE ANCHOR BOLT EMBEDMENT LENGTH SHOWN ON THIS DRAWING SHALL BE VERIFIED BY THE FOUNDATION ENGINEER.
- THE EXPOSED LENGTH OF THE ANCHOR BOLT BETWEEN THE TOP OF THE FOUNDATION AND THE BOTTOM OF THE LEVELING NUT SHOULD NOT EXCEED ONE BOLT DIAMETER.
- STRUCTURE FINISH TO BE HD GALV TO ASTM A123 AND HARDWARE FINISH TO BE HD GALV TO ASTM A153.



MATERIAL SPECIFICATIONS	
TAPERED TUBES	ASTM A595 GR A
PLATE & BAR	ASTM A36
CONNECTION BOLTS	ASTM A325
KEEPER PLATE	ASTM 653
HANDHOLE FRAME	ASTM A529 GR 50 (PREFERRED) or ASTM A572 GR 50 or ASTM A709 GR 50
HANDHOLE COVER	ASTM A1011
ANCHOR BOLTS	ASTM A307
ANCHOR BOLT NUTS	ASTM A563 GR A
PIPE	ASTM A501
S.S. HARDWARE	AISI-300 SERIES (18-8)
STRUCTURE FINISH	HD GALV TO ASTM A123
HARDWARE FINISH	HD GALV TO ASTM A153

REVISIONS	DATE	BY	DESCRIPTION
R4	8/13/08	JMW	HANDHOLE SIZE WAS 3"x5", TYPE RM POLE SIZE WAS 11E-5.35, TYPE FB POLE SIZE WAS 11E-5.91, DESIGN LIFE WAS 25 YEARS, REVISED POLE TOP DETAIL (ADDED ADAPTER PLATE), A. BOLT PROJ WAS 4"
R3	4/5/04	LCV	CHANGED A.BOLT TO A307
R2	3/17/04	LCV	GENERAL REVISION, COMMENTS BY WASHINGTON DOT

TRAFFIC SIGNAL TYPE FB & RM FOR STATE OF WASHINGTON	
LOF YES(PS) REQ.# 0634-16-97	ENG.REF.# S.O.# CAD# 0634A9Z
Union Metal CORPORATION	
DRAWN <u>JDJ</u> DATE <u>12/30/97</u>	DRAWING NO. 50200-B58
CHECKED <u>JMP</u>	