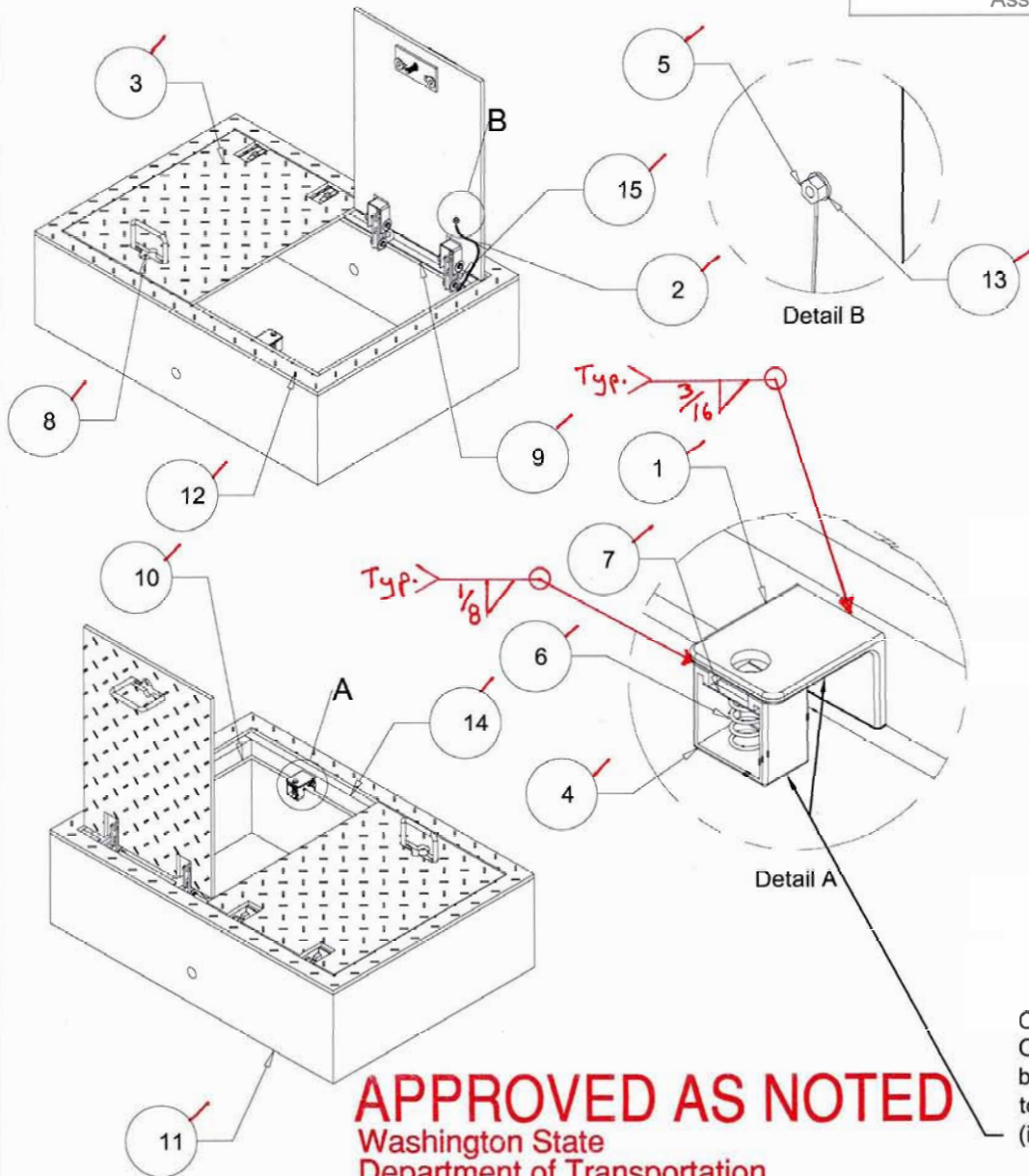


Project **Junction Box - Type 8**

DESCRIPTION **Assembly and BOM**

DATE **1/20/09**

APPROVED



Item Number	Quantity	Part Name
1 ✓	2 ✓	Lock Angle Bracket ✓
2 ✓	2 ✓	Tinned Braided Copper Ground Lead ✓
3 ✓	2 ✓	Lid 1/2" ✓
4 ✓	2 ✓	Stainless Steel Lock Channel ✓
5 ✓	2 ✓	1/4" Stainless Steel Nut ✓
6 ✓	2 ✓	Lock Spring Stainless Steel ✓
7 ✓	2 ✓	Spring Block Stainless Steel ✓
8 ✓	2 ✓	Penta Head Bolt W/ Flat Washer Stainless Steel ✓
9 ✓	1 ✓	2" x 1" x 38" Channel with cuts ✓
10 ✓	2 ✓	2" x 1" x 24" Channel ✓
11 ✓	1 ✓	Concrete Box ✓
12 ✓	1 ✓	Lid Frame ✓
13 ✓	2 ✓	1/4" Stainless Steel Washer ✓
14 ✓	1 ✓	2" x 1" x 38" Channel ✓
15 ✓	2 ✓	5/16" Stainless Steel Flat Washer ✓
16 ✓	10 ✓	3" x 3/8" Anchor Studs ✓

Corners Along Exposed Sheared
Or Cut Edges Shall
be Broken by Light Grinding
to Achieve an Approximate 1/16"
(inch) Chamfer or Rounding

APPROVED AS NOTED
Washington State
Department of Transportation
HQ Traffic Operations Office
DATE January 25, 2010 TAT

H² PRE-CAST INC.
CONCRETE PRODUCTS

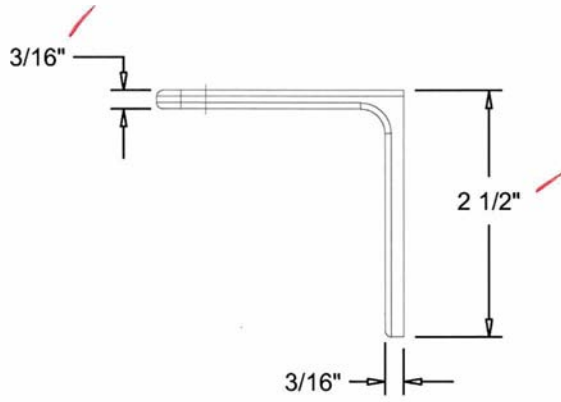
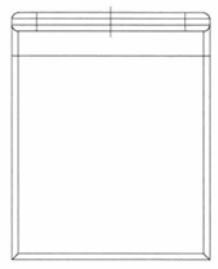
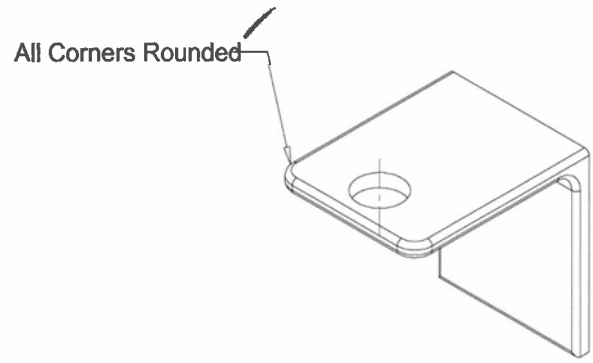
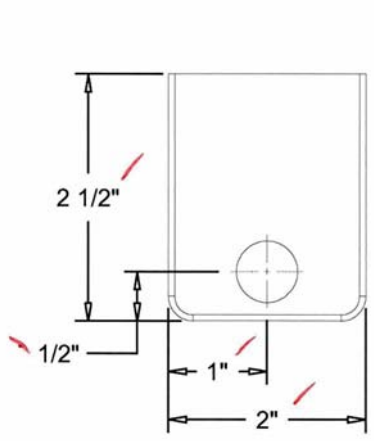
SIZE A	Contractor	REV
SCALE	Drawn By Eric Duffey	SHEET 1

Project **Junction Box - Type 8**

DESCRIPTION **Lock Angle Bracket**

DATE **1/20/09**

APPROVED

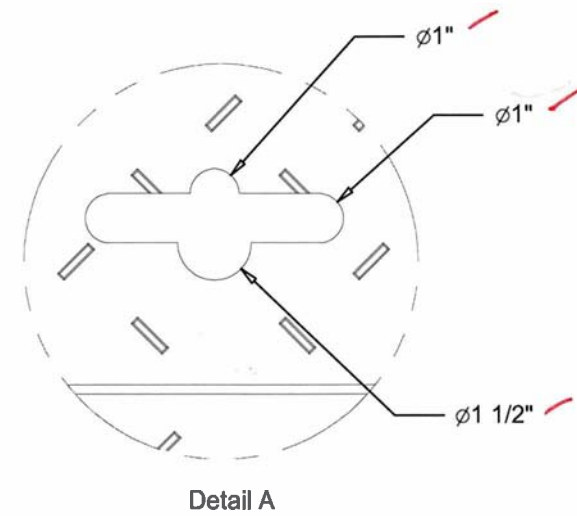
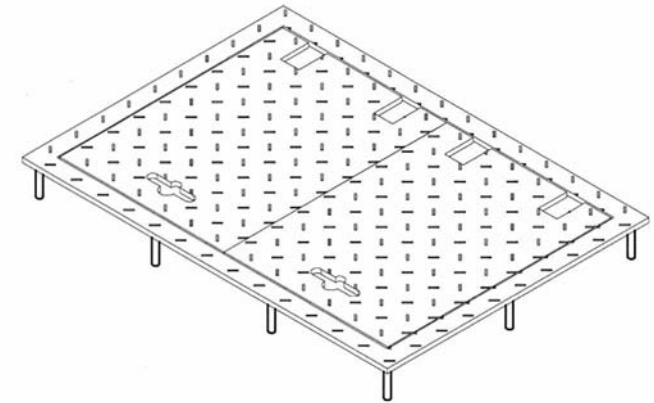
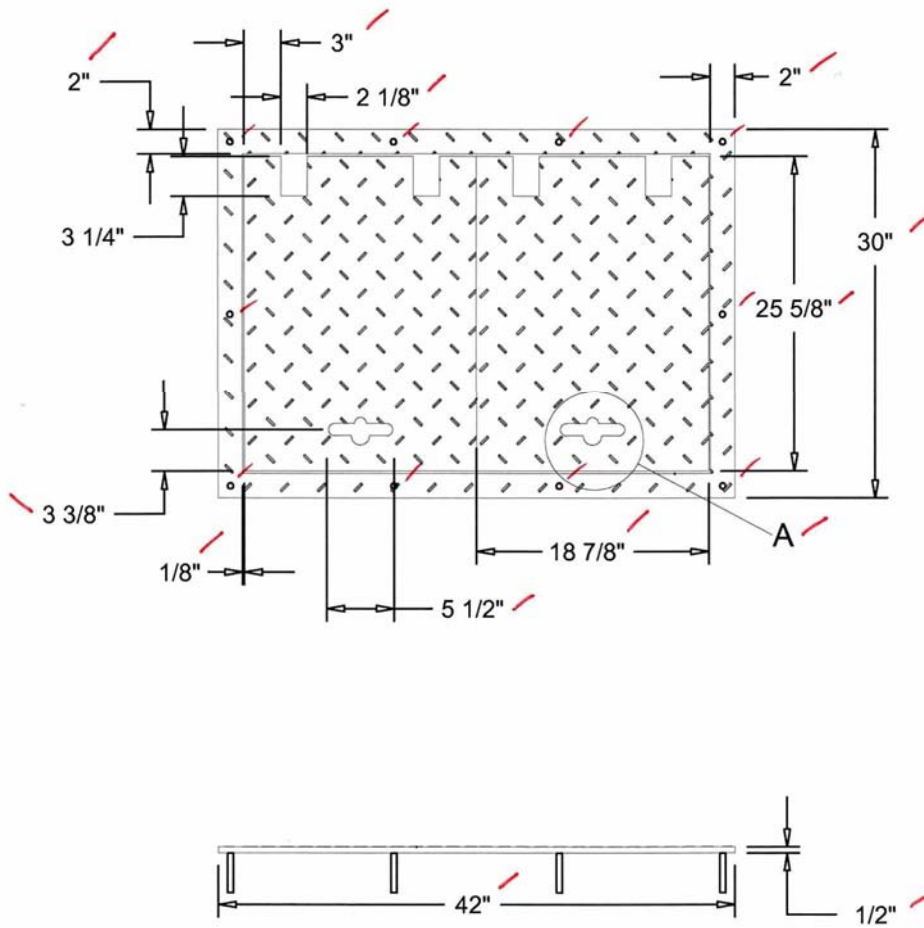


APPROVED
Washington State
Department of Transportation
HQ Traffic Operations Office
DATE January 25, 2010 TAT

H² PRE-CAST INC.
CONCRETE PRODUCTS

SIZE A	Contractor	REV
SCALE	Drawn By Eric Duffey	SHEET 2

Project	Junction Box - Type 8	
DESCRIPTION	Lids and Frame	DATE 1/20/09 APPROVED



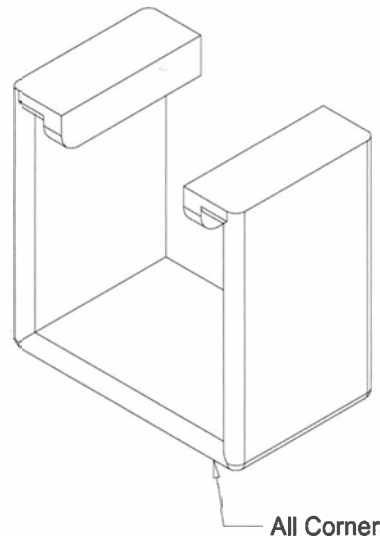
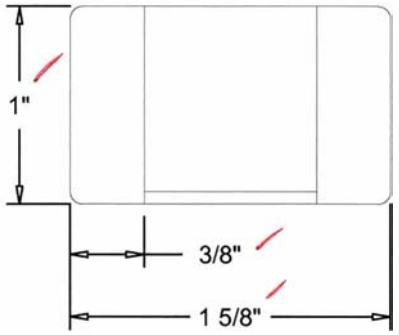
APPROVED
 Washington State
 Department of Transportation
 HQ Traffic Operations Office
 DATE January 25, 2010 TAT

H² PRE-CAST INC.
 CONCRETE PRODUCTS

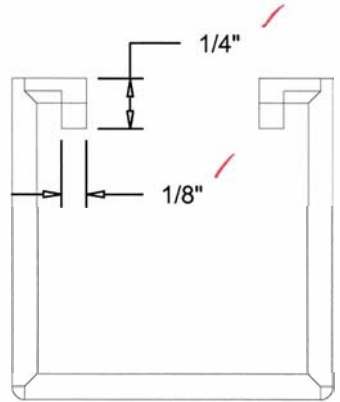
SIZE A	Contractor	REV
SCALE	Drawn By Eric Duffey	SHEET 3

Project **Junction Box - Type 8**

DESCRIPTION	Lock Channel ✓	DATE	1/20/09	APPROVED
-------------	----------------	------	---------	----------



All Corners Rounded ✓



APPROVED
 Washington State
 Department of Transportation
 HQ Traffic Operations Office
 DATE January 25, 2010 TAT

H² PRE-CAST INC.
 CONCRETE PRODUCTS

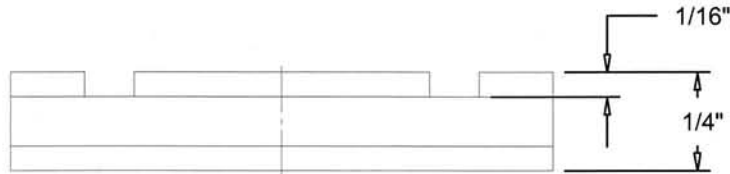
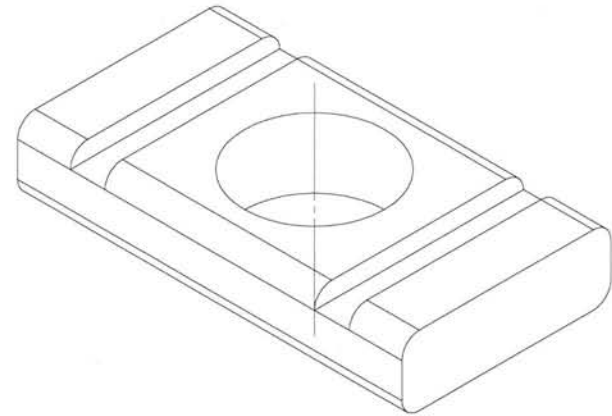
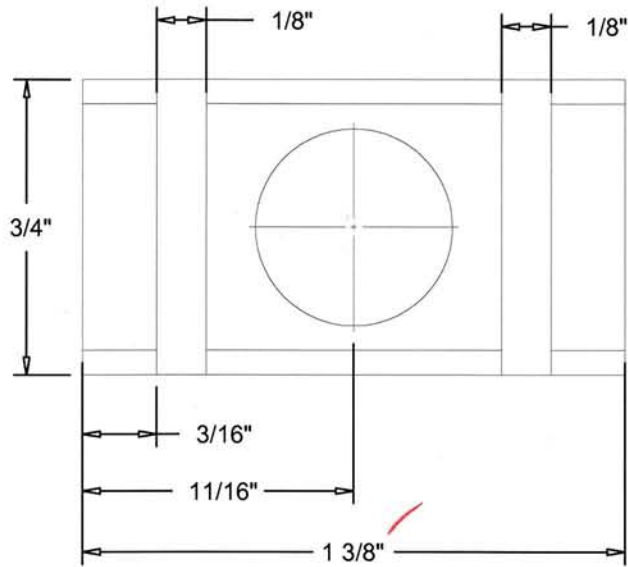
SIZE	Contractor	REV
A		
SCALE	Drawn By Eric Duffey	SHEET 4

Project **Junction Box - Type 8**

DESCRIPTION **Spring Block**

DATE **1/20/09**

APPROVED



APPROVED
Washington State
Department of Transportation
HQ Traffic Operations Office
DATE January 25, 2010 TAT

H² PRE-CAST INC.
CONCRETE PRODUCTS

SIZE A	Contractor	REV
SCALE	Drawn By Eric Duffey	SHEET 4 5

Project

Junction Box - Type 8

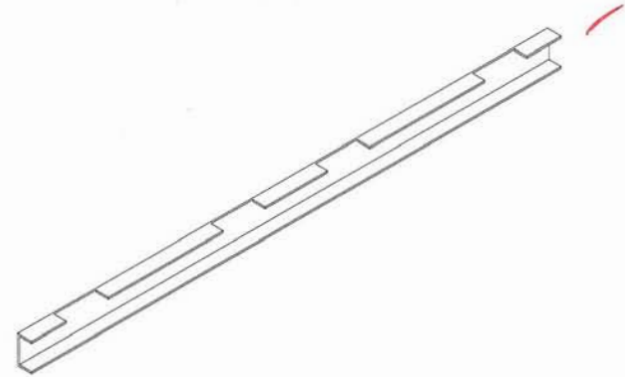
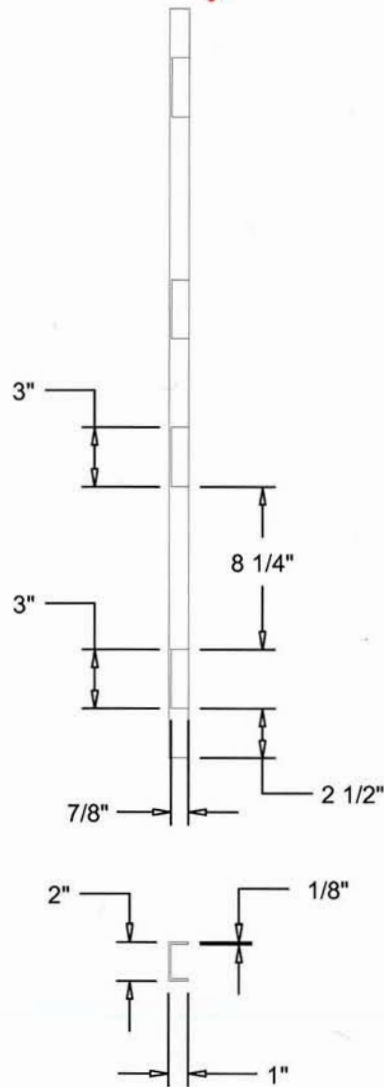
DESCRIPTION

2" x 1" x 3" Channel with Cuts

DATE

1/20/09

APPROVED



APPROVED

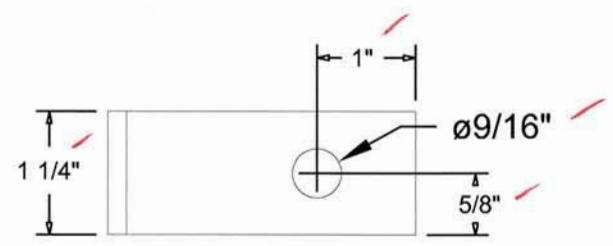
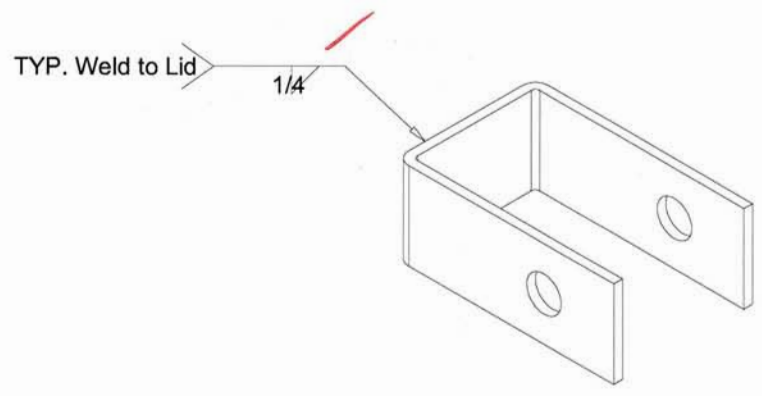
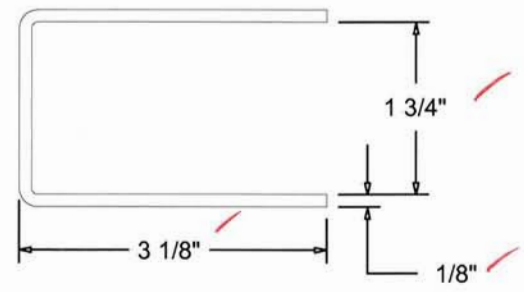
Washington State
Department of Transportation
HQ Traffic Operations Office

DATE January 25, 2010 TAT

H² PRE-CAST INC.
CONCRETE PRODUCTS

SIZE A	Contractor	REV
SCALE	Drawn By Eric Duffey	SHEET 6

Project	Junction Box - Type 8		DATE	1/20/09	APPROVED
DESCRIPTION	Hinge Frame Block				



APPROVED
 Washington State
 Department of Transportation
 HQ Traffic Operations Office
 DATE January 25, 2010 TAT

H² PRE-CAST INC.
 CONCRETE PRODUCTS

SIZE	Contractor	REV
A		
SCALE	Drawn By	SHEET
	Eric Duffey	7

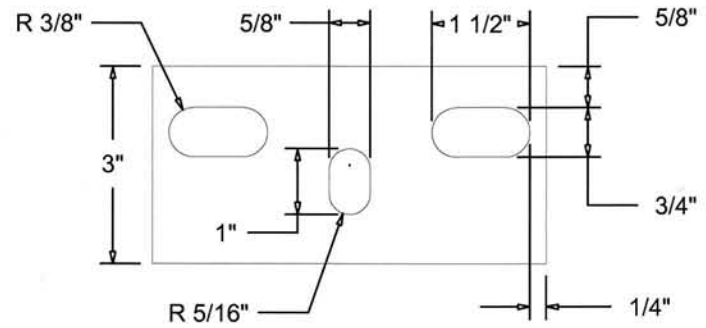
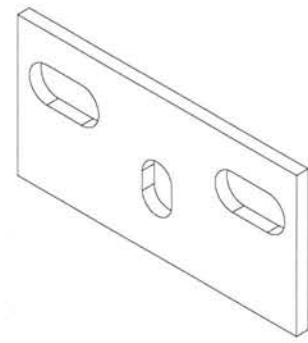
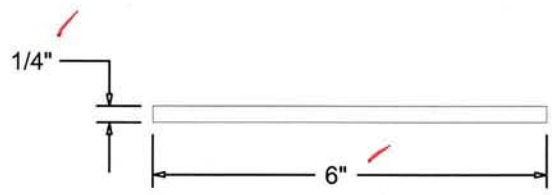


Project **Junction Box - Type 8**

DESCRIPTION **Handle Plate**

DATE **1/20/09**

APPROVED



APPROVED
Washington State
Department of Transportation
HQ Traffic Operations Office
DATE January 25, 2010 TAT

H² PRE-CAST INC.
CONCRETE PRODUCTS

SIZE A	Contractor	REV
SCALE	Drawn By Eric Duffey	SHEET 8

Project **Junction Box - Type 8**

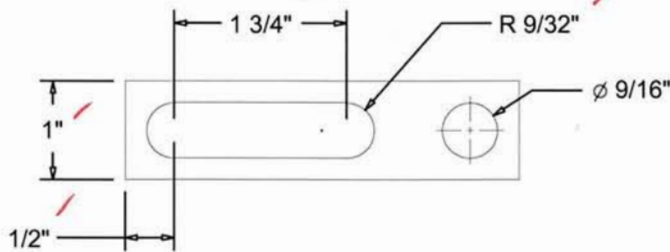
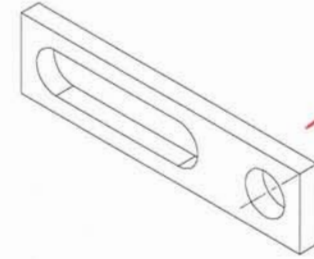
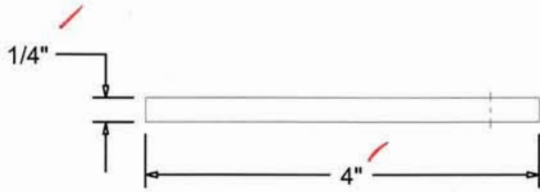
DESCRIPTION

Hinge Slide

DATE

1/20/08

APPROVED



APPROVED

Washington State
Department of Transportation
HQ Traffic Operations Office

DATE January 25, 2010 TAT

H² PRE-CAST INC.
CONCRETE PRODUCTS

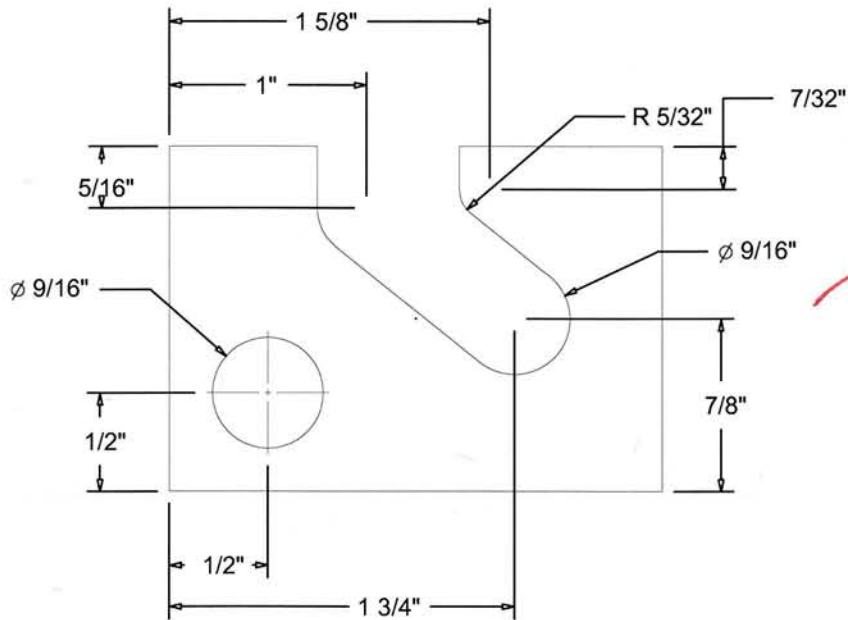
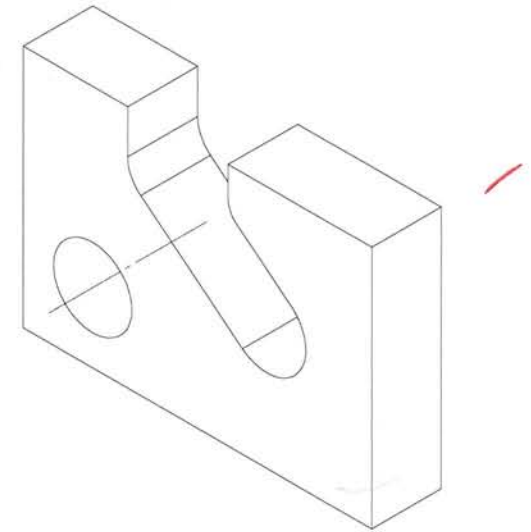
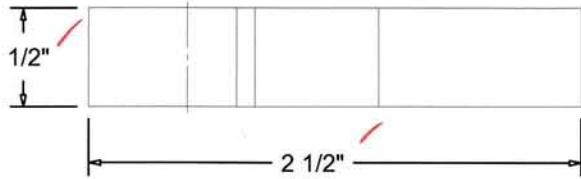
SIZE A	Contractor	REV
SCALE	Drawn By Eric Duffey	SHEET 9

Project **Junction Box - Type 8**

DESCRIPTION **Hinge Frame**

DATE **1/20/09**

APPROVED



APPROVED

Washington State
Department of Transportation
HQ Traffic Operations Office
DATE January 25, 2010 TAT

H² PRE-CAST INC.
CONCRETE PRODUCTS

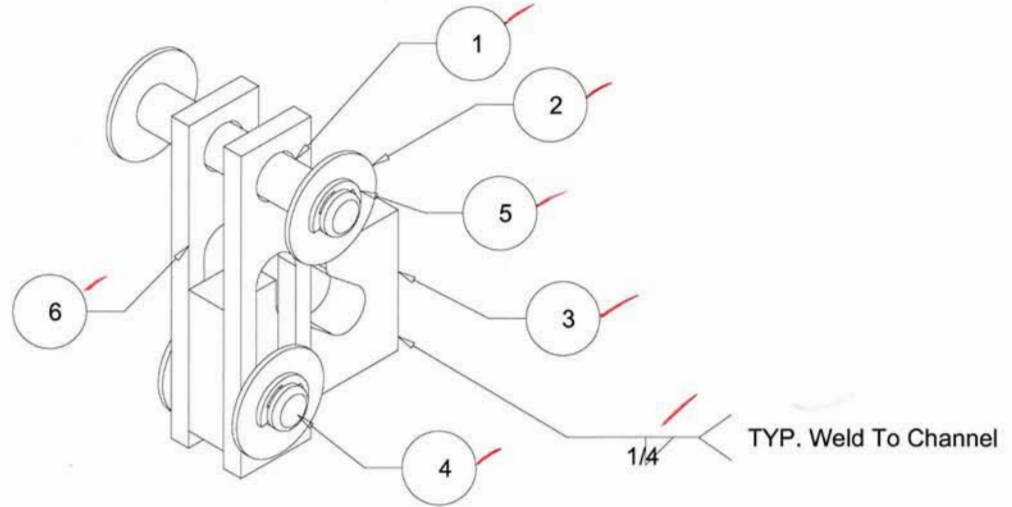
SIZE A	Contractor	REV
SCALE	Drawn By Eric Duffey	SHEET 10

Project **Junction Box - Type 8**

DESCRIPTION Hinge BOM

DATE 1/20/09

APPROVED



Item Number	Quantity	Part Name
1 ✓	1 ✓	3" Axial <i>stainless steel</i>
2 ✓	4 ✓	Washer ✓
3 ✓	1 ✓	Hinge Frame ✓
4	1	1 1/2" Axial <i>stainless steel</i>
5 ✓	4 ✓	Spring Rings ✓
6 ✓	2 ✓	Hinge Slide ✓

APPROVED AS NOTED

Washington State
 Department of Transportation
 HQ Traffic Operations Office
 DATE January 25, 2010 TAT

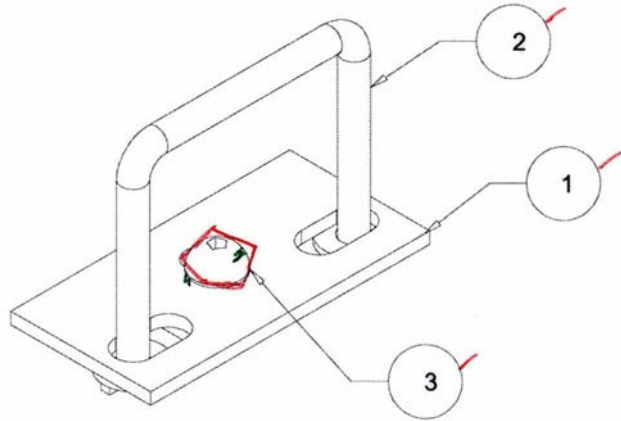


SIZE A	Contractor	REV
SCALE	Drawn By Eric Duffey	SHEET 11



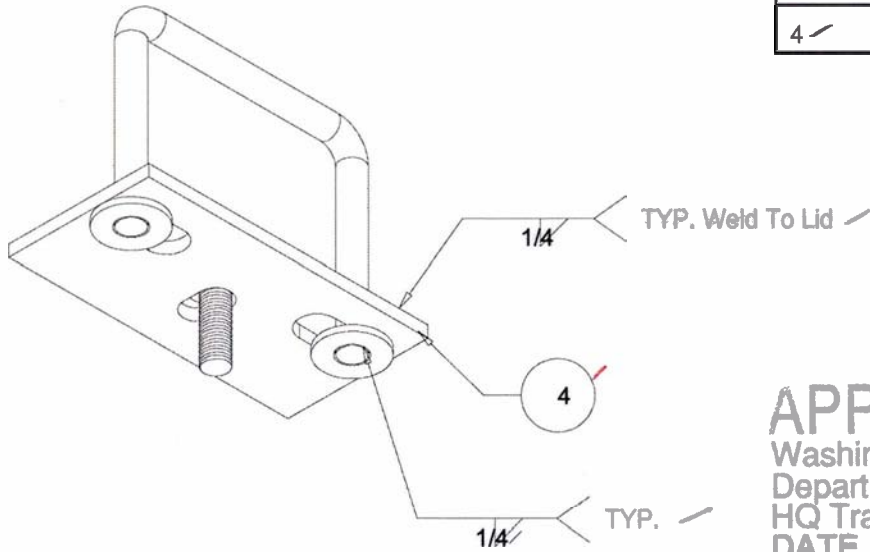
Project **Junction Box - Type 8**

DESCRIPTION	Handle BOM	DATE	1/20/09	APPROVED
-------------	------------	------	---------	----------



Item Number	Quantity	Part Name
1 ✓	1 ✓	Handle Plate ✓
2 ✓	1 ✓	Handle ✓
3	1	13 Penta Plus Button Head Screw
4 ✓	2 ✓	Handle Block ✓

Bolt

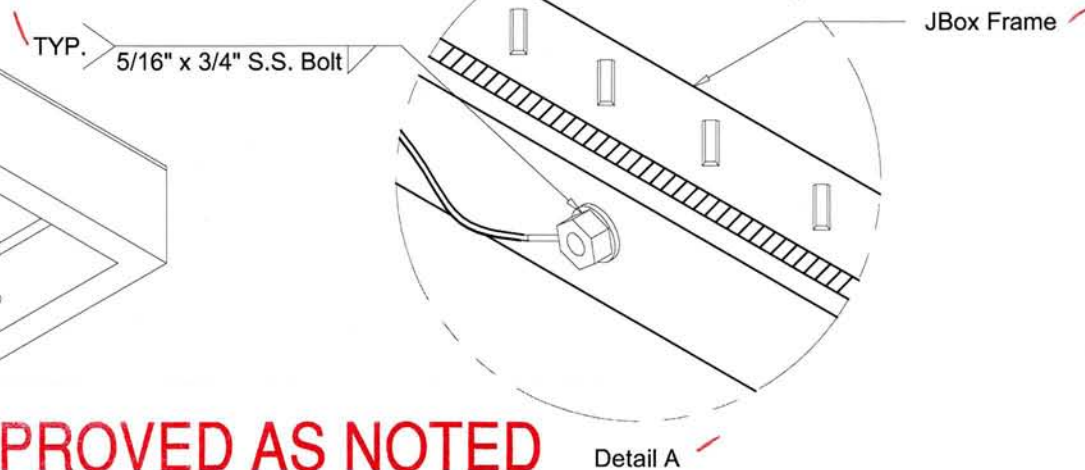
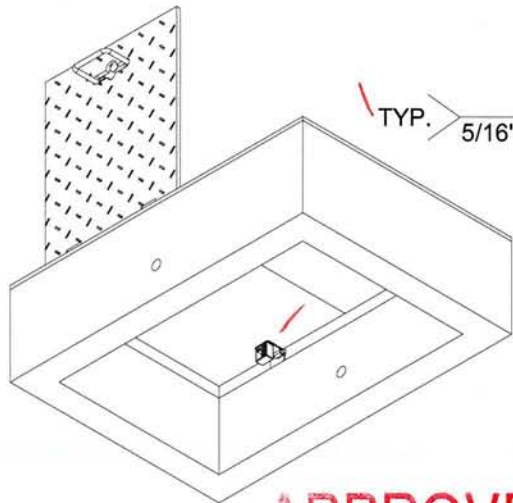
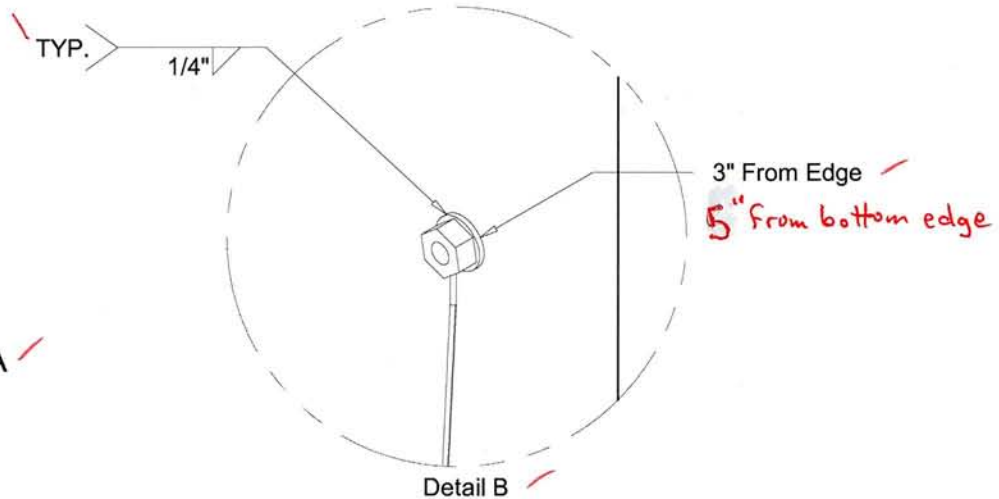
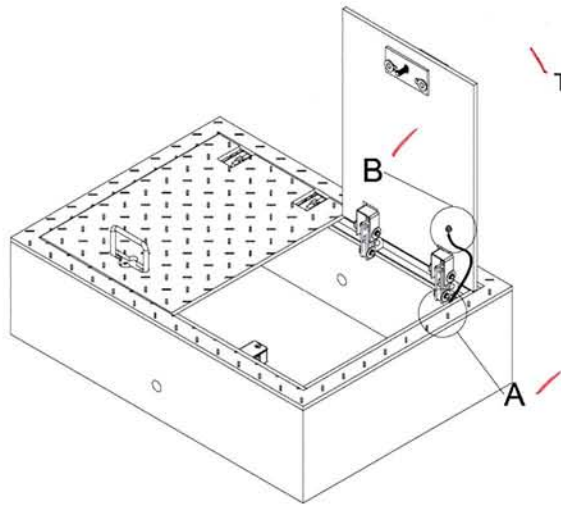


APPROVED AS NOTED

Washington State
 Department of Transportation
 HQ Traffic Operations Office
 DATE Jan 25, 2010 TAT

H² PRE-CAST INC.
 CONCRETE PRODUCTS

SIZE	Contractor	REV
A		
SCALE	Drawn By	SHEET
	Eric Duffey	12



APPROVED AS NOTED

Washington State
Department of Transportation
HQ Traffic Operations Office
DATE January 25, 2010 TAT

H² PRE-CAST INC.
CONCRETE PRODUCTS

SIZE A	Contractor	REV
SCALE	Drawn By Eric Duffey	SHEET 13