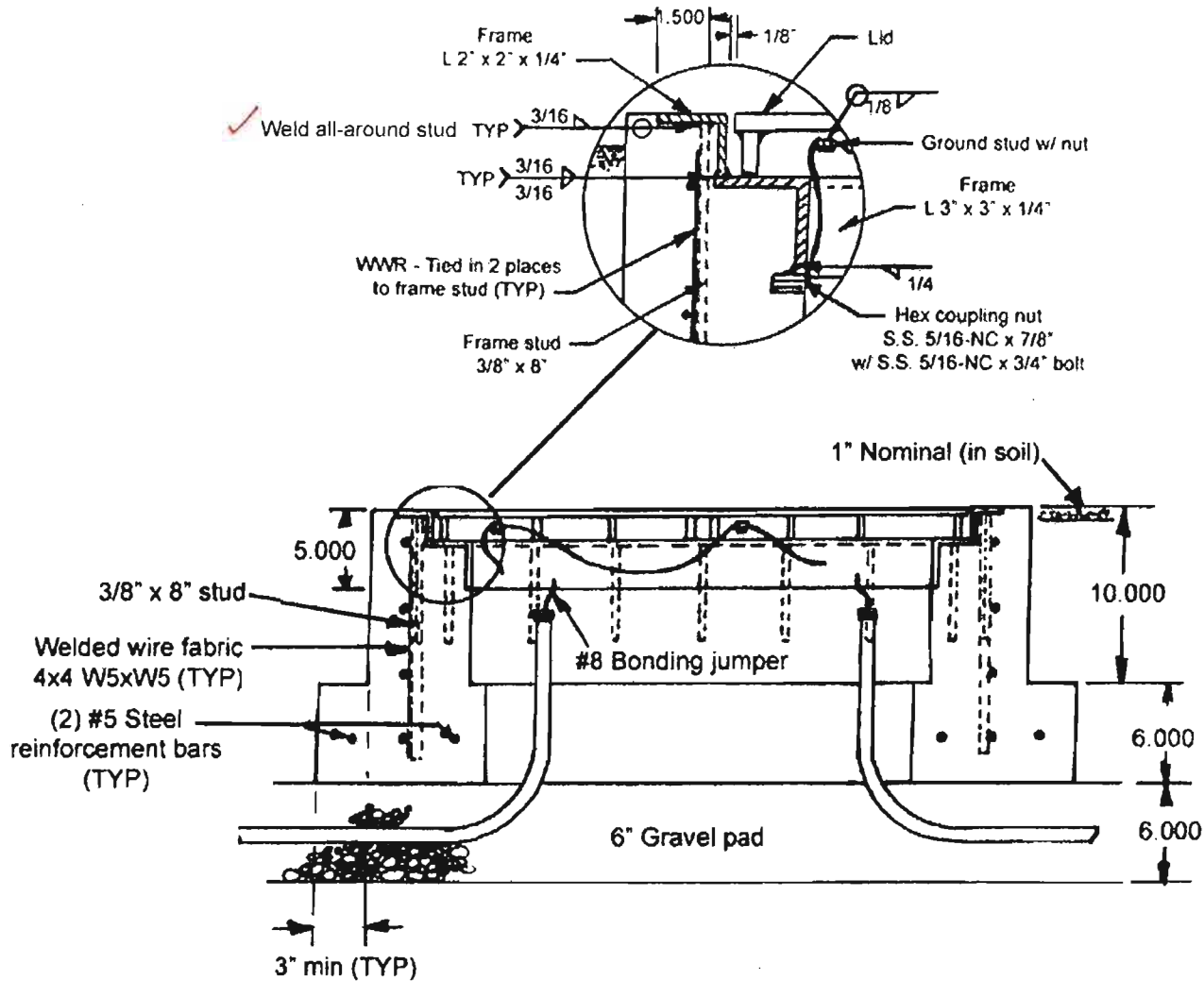


APPROVED
 Washington State
 Department of Transportation
 HQ Traffic Operations Office
 DATE May 13, 2008 TAT

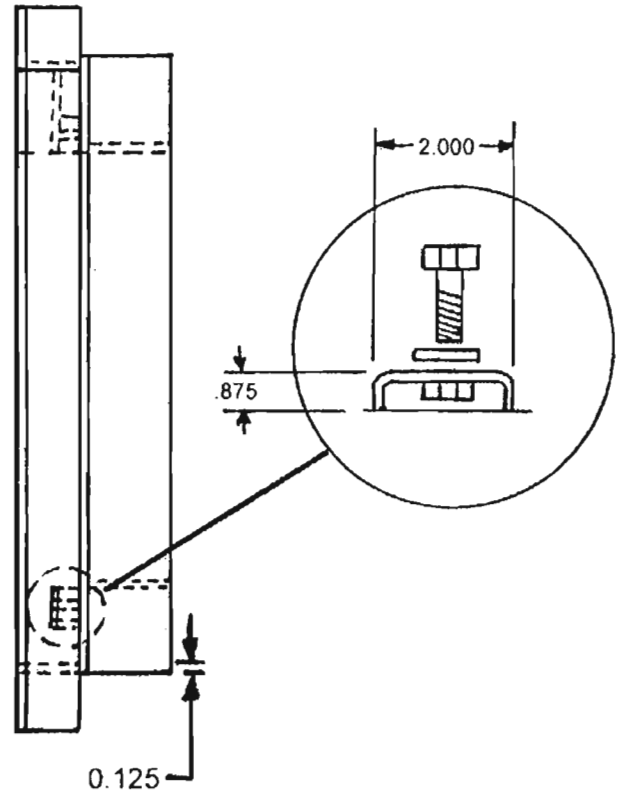
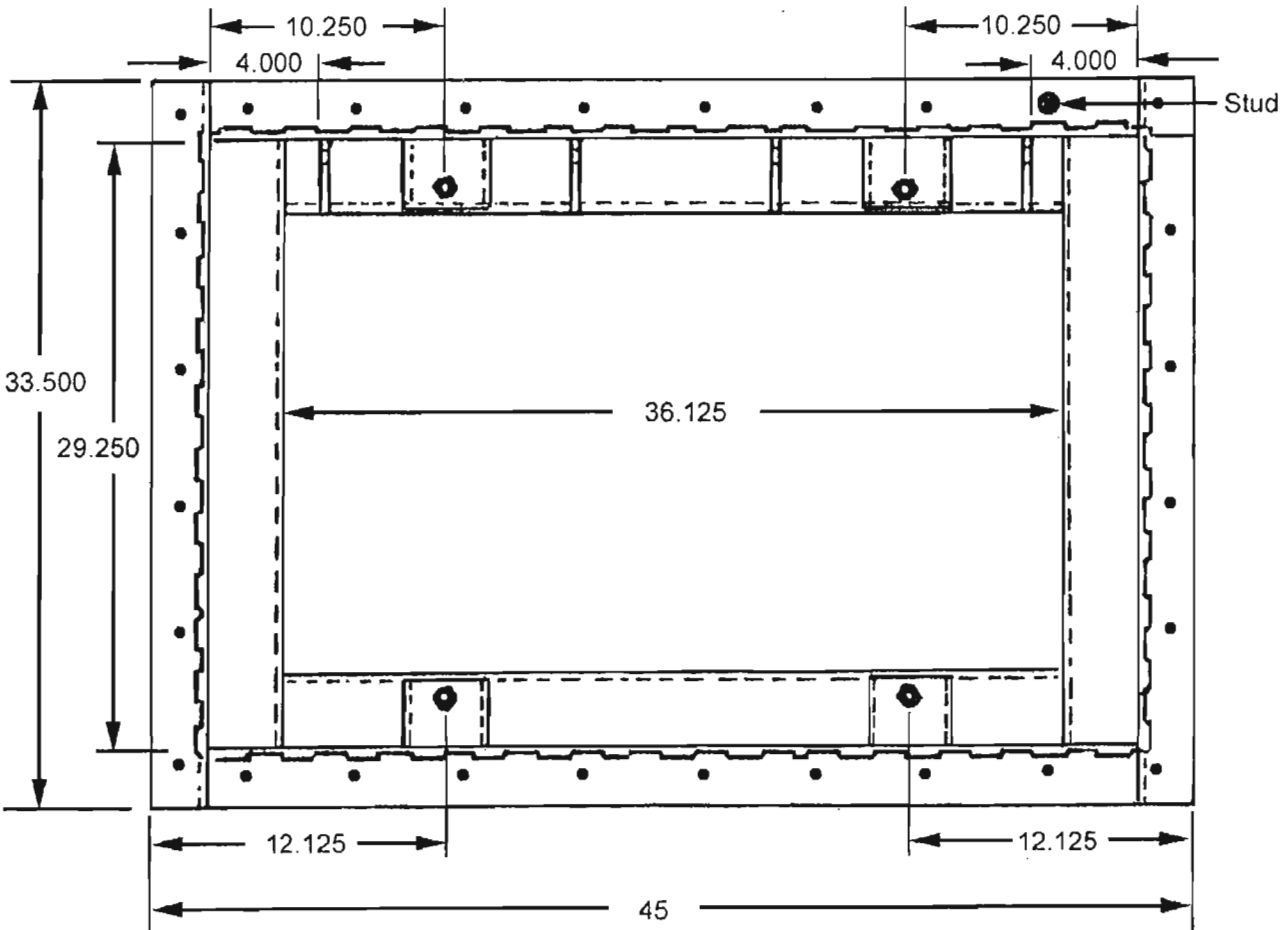
Fog Tite Inc. J-11 Type 6



APPROVED

Washington State
Department of Transportation
HQ Traffic Operations Office
DATE May 13, 2008 TAT

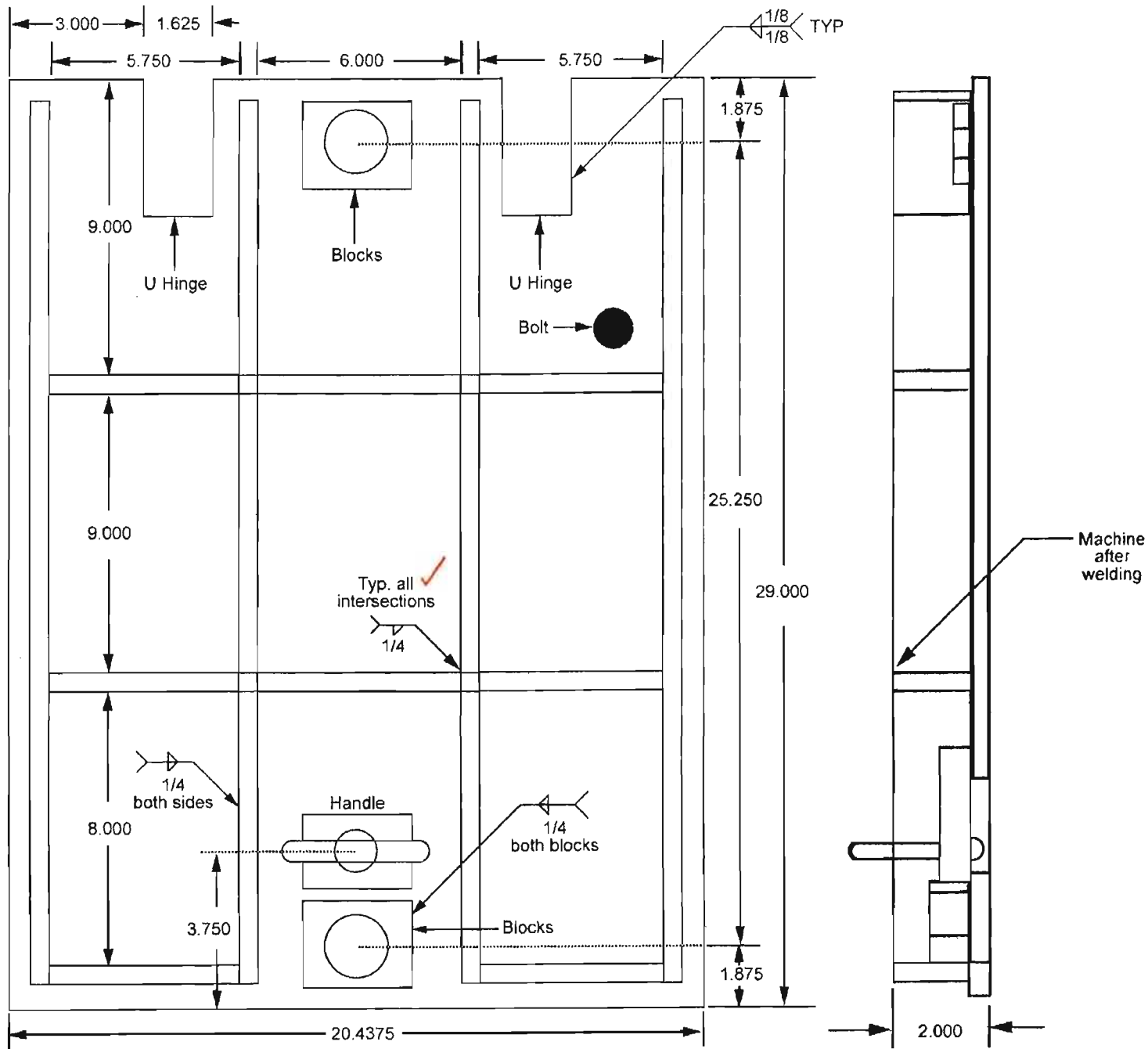
Fog Tite Inc. J-11 Type 6



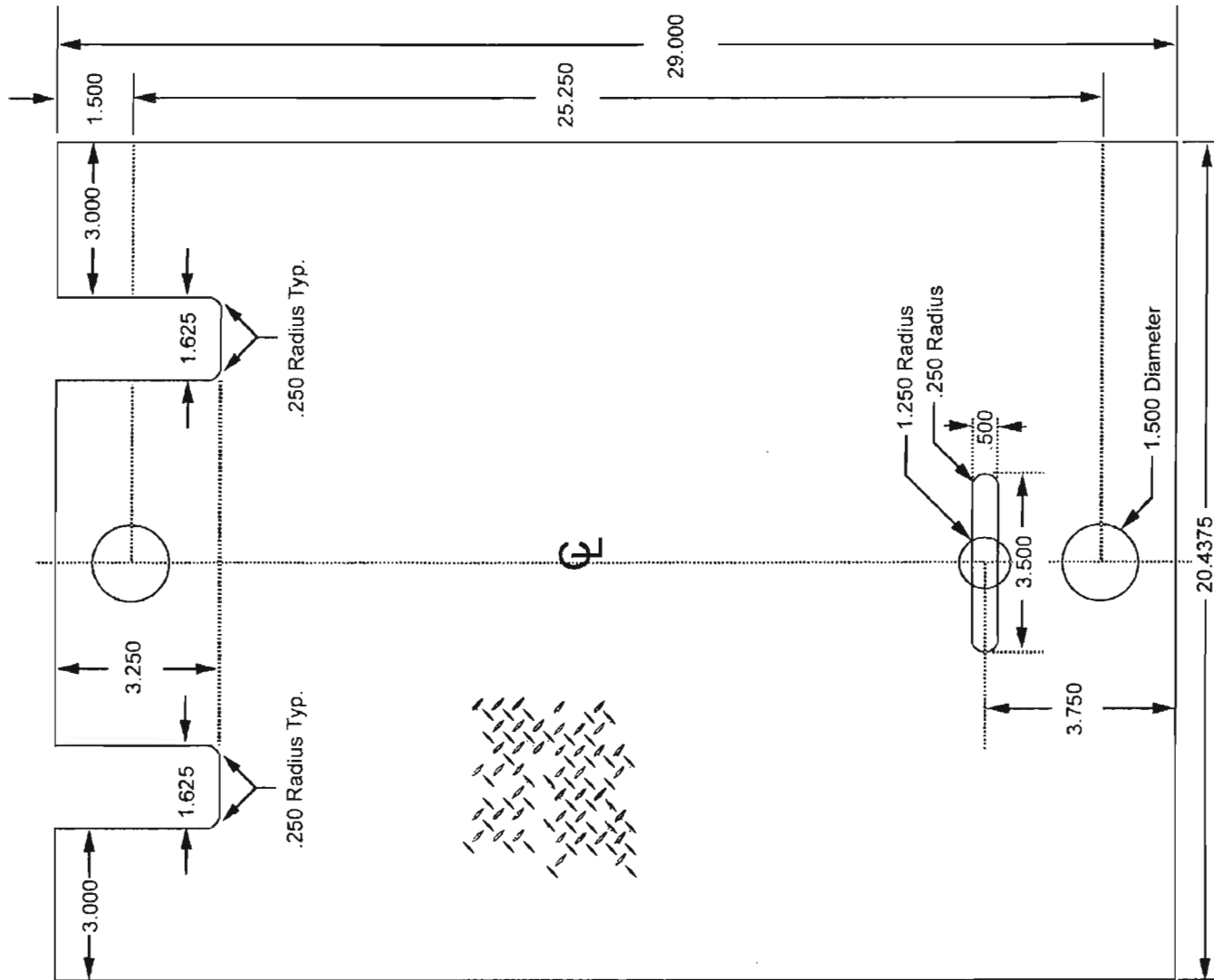
APPROVED
Washington State
Department of Transportation
HQ Traffic Operations Office
DATE May 13, 2008 TAT

Fog Tite Inc. J-11 Type 6

4/5



APPROVED
 Washington State
 Department of Transportation
 HQ Traffic Operations Office
 DATE May 13, 2008 TAT



APPROVED
Washington State
Department of Transportation
HQ Traffic Operations Office
DATE May 13, 2008 **TAT**

Fog Tite Inc. J-11 Type 6