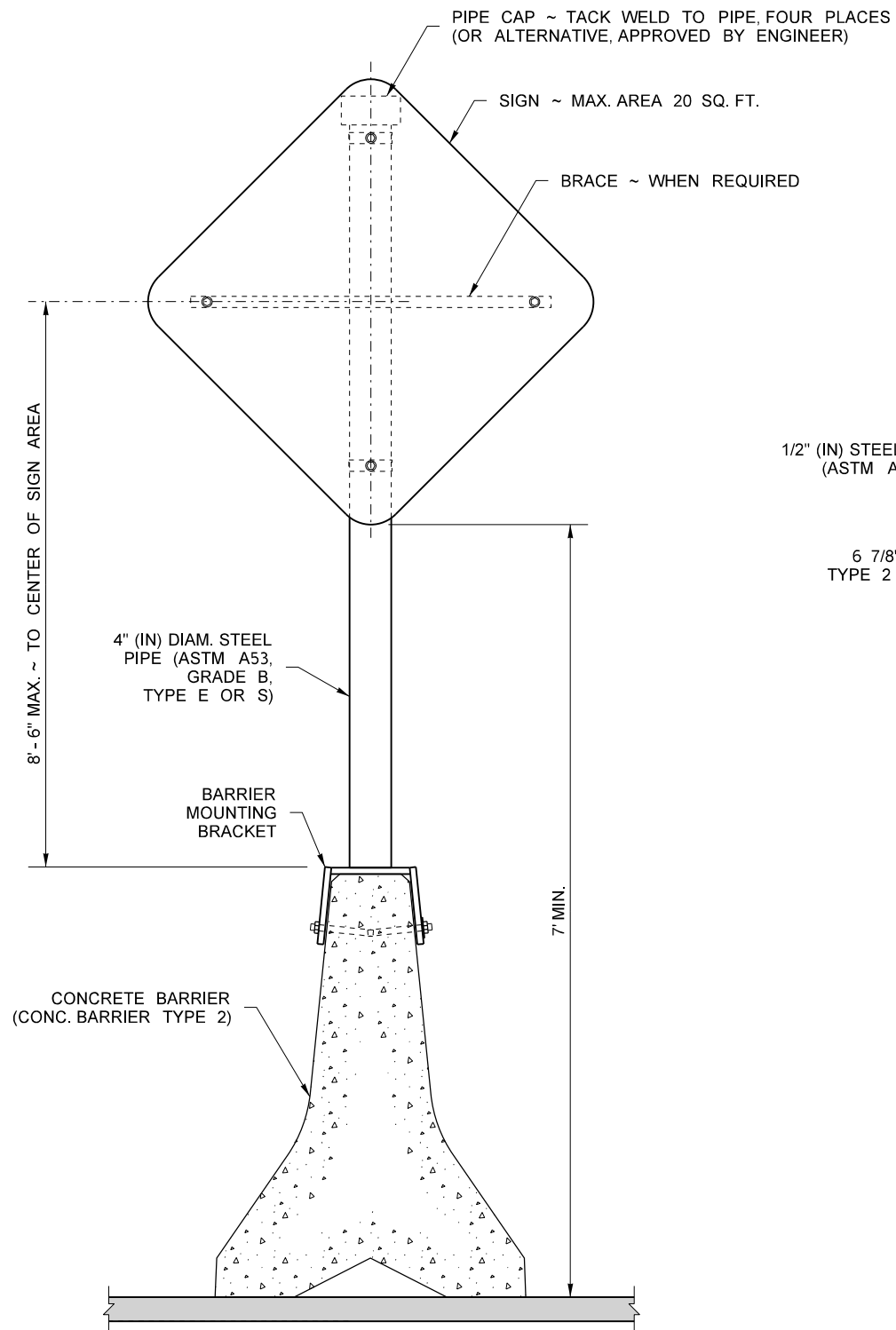


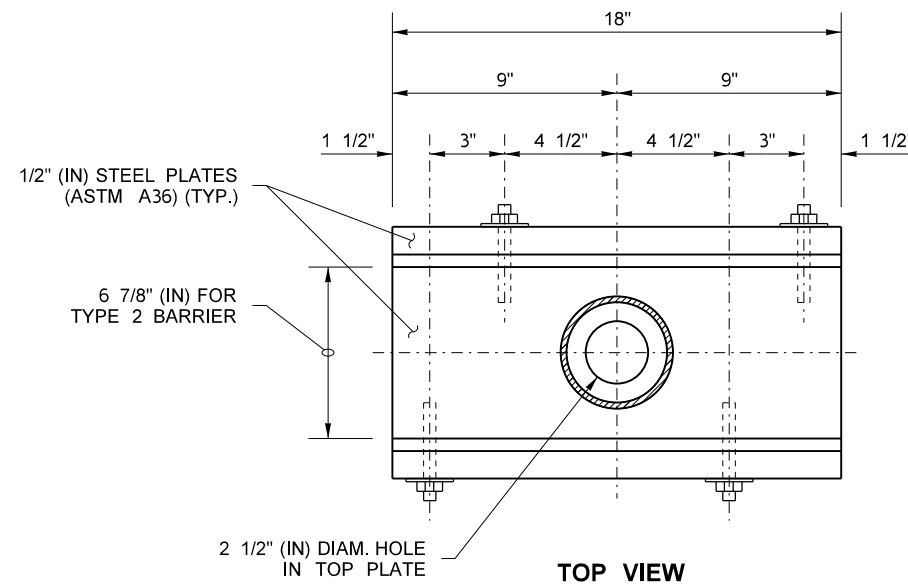
**NOTES**

1. ATTACH SIGN TO Z-BAR OR WINDBEAM WITH 3/16" (IN) RIVETS AT 4" (IN) STAGGERED SPACING.
2. A NYLON WASHER SHALL BE PLACED BETWEEN THE SIGN FACE AND ANY OTHER WASHER REQUIRED ON SIGNS CONSTRUCTED OF TYPE III OR IV SHEETING.
3. A BENT PLATE MAY BE USED IN LIEU OF THE WELDED PLATES SHOWN. BOTH SHALL BE GALVANIZED AFTER FABRICATION.
4. THE BRACKET TO BARRIER FASTENERS SHALL BE 5/8" (IN) DIAMETER RESIN BONDED ANCHORS (ALL-THREAD) ASTM A193 GRADE B7 OR ASTM A449 (GALVANIZED) WITH MATCHING NUT AND WASHER. EPOXY RESIN SHALL CONFORM TO **STANDARD SPECIFICATION 9-26.1**.
5. DETAILS SHOWN IN OTHER VIEWS ARE COMMON IN BOTH BRACKETS.

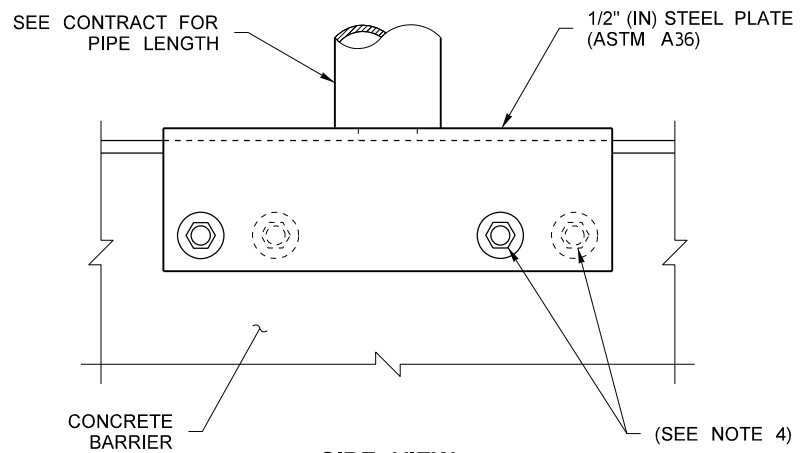


TYPICAL SECTION

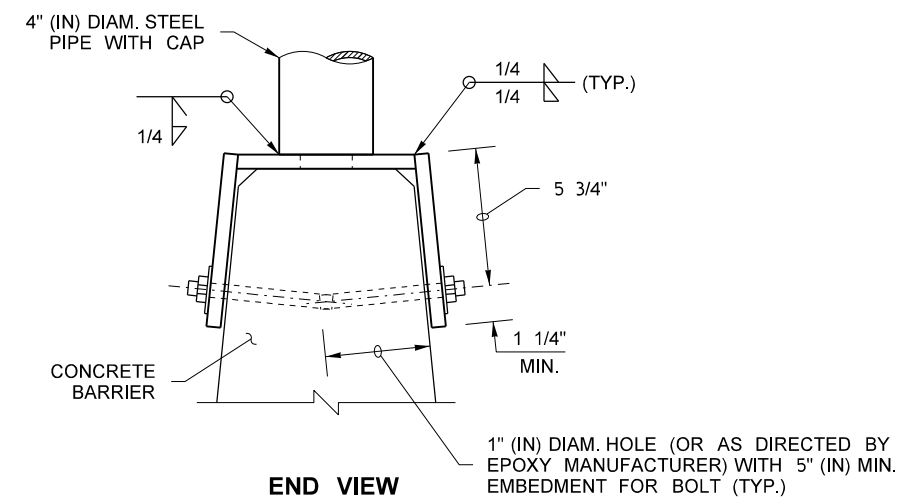
**BARRIER MOUNTED SIGN SUPPORT**



TOP VIEW



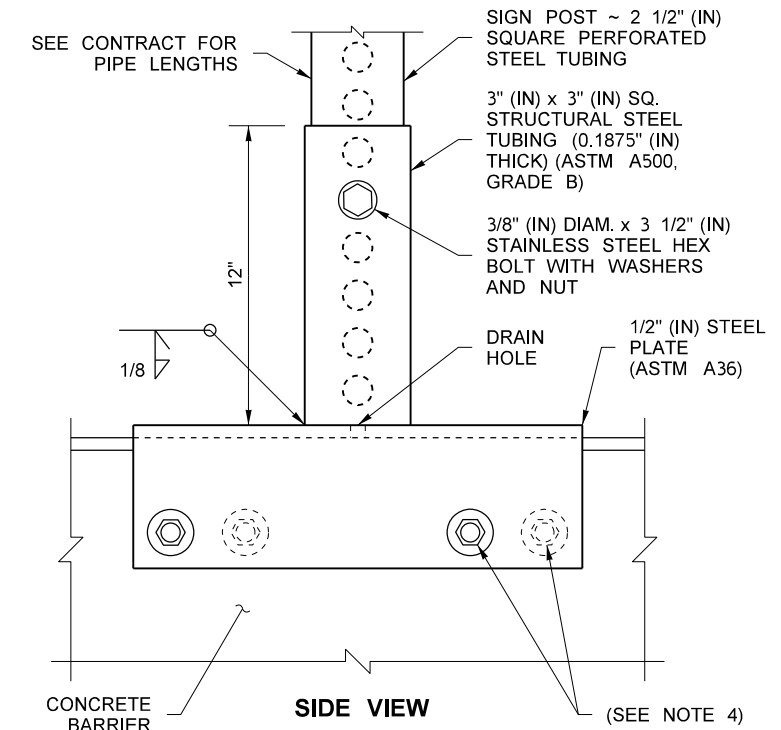
SIDE VIEW



END VIEW

**BARRIER MOUNTING BRACKET**

(SEE NOTE 3)



SIDE VIEW

**OPTIONAL "MANUFACTURED" BARRIER MOUNTING BRACKET**

(SEE NOTE 5)  
FOR SQUARE TUBING SIGN POSTS SUPPORTING SIGNS WITH A MAXIMUM AREA OF 9 SQ.FT.

FILE NAME	S:\Design R P& S\4-Standards\2-Plan Sheet Library\01-Published PSL(SD) Signs and Sign Support\W(SD-1) Barrier Mounted Sign Support\SD-1.dgn			
TIME	2:01:13 PM			
DATE	10/2/2014			
PLOTTED BY	FletcCo			
DESIGNED BY				
ENTERED BY				
CHECKED BY				
PROJ. ENGR.				
REGIONAL ADM.				
REVISION	DATE	BY	REGION NO.	STATE
			WASH	
			JOB NUMBER	FED.AID PROJ.NO.
			CONTRACT NO.	LOCATION NO.
				DATE
				P.E. STAMP BOX



Plot 1
PLAN REF NO
<b>SD-1</b>
SHEET
<b>1</b>
OF
<b>1</b>
SHEETS
<b>BARRIER MOUNTED SIGN SUPPORT</b>