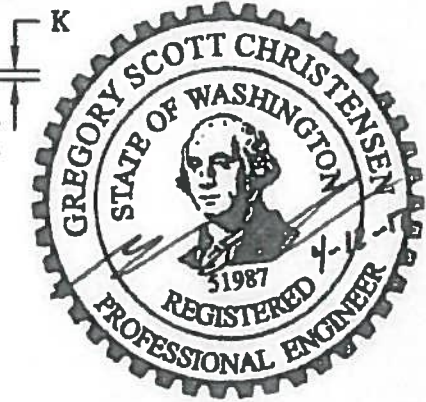


GROUNDING STUD: 1/4-20 UNC X 1 [25] LONG S.S. HEX HEAD BOLT W/ (2) 1/4-20 S.S. HEX NUTS & (2) ø1/4 [6] FLAT WASHERS

SECTION A-A

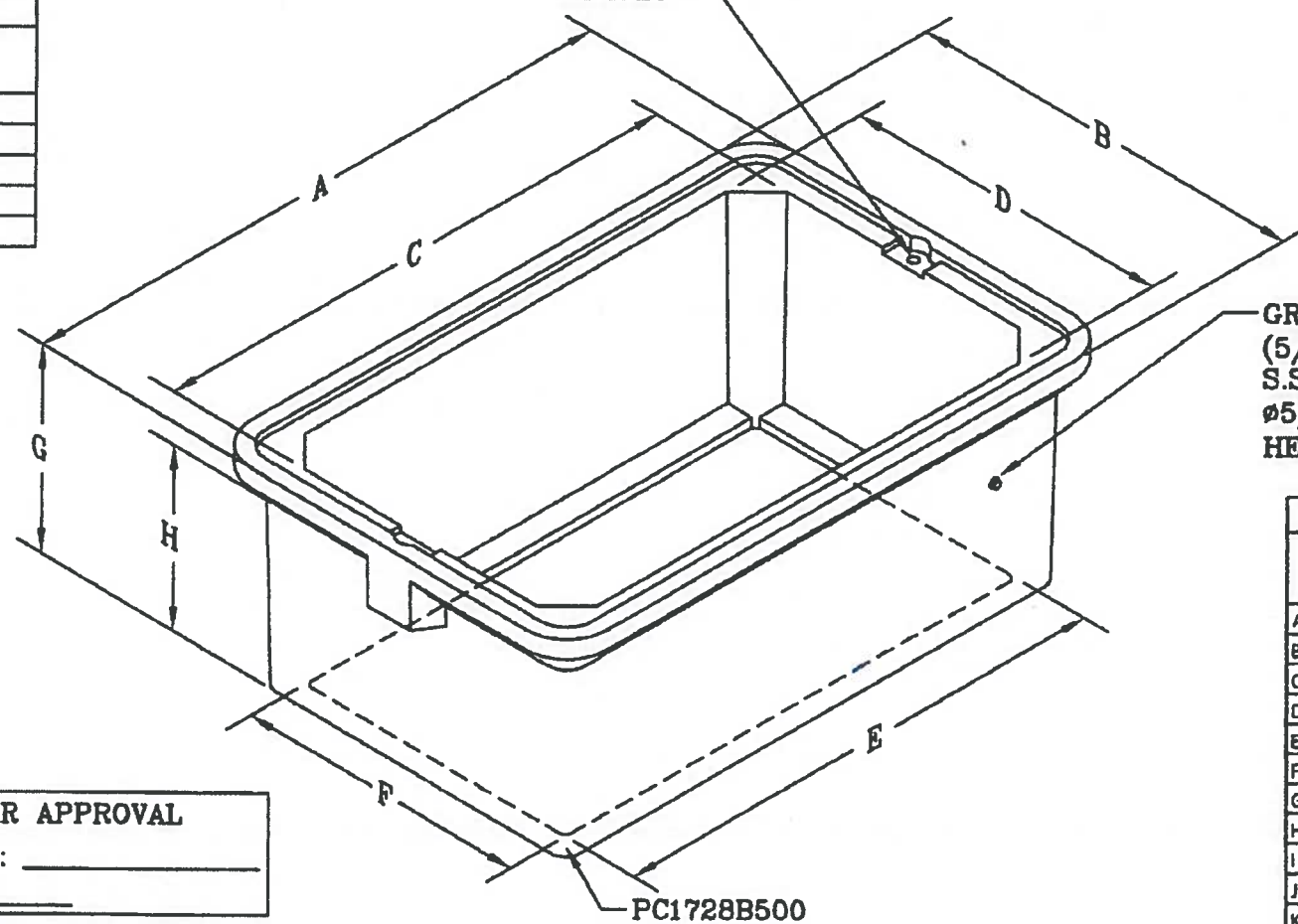


**APPROVED**

Washington State Department of Transportation  
HQ Traffic Operations Office  
BY: [Signature] DATE: 5/11/2017

3/8-7 SELF ALIGNING, REPLACEABLE EZ-NUT 2 PLACES

*LOGO CHART	
LOGO CODE	TEXT
U13	COMM
U23	ITS
U33	LT
U43	TS
U53	TEL



GROUNDING LOCATION (5/16-18 UNC X 2 [51] LONG S.S. HEX HEAD GRADE 2 BOLT, ø5/16 [8] WASHER & 5/16-18 UNC HEX NUT)

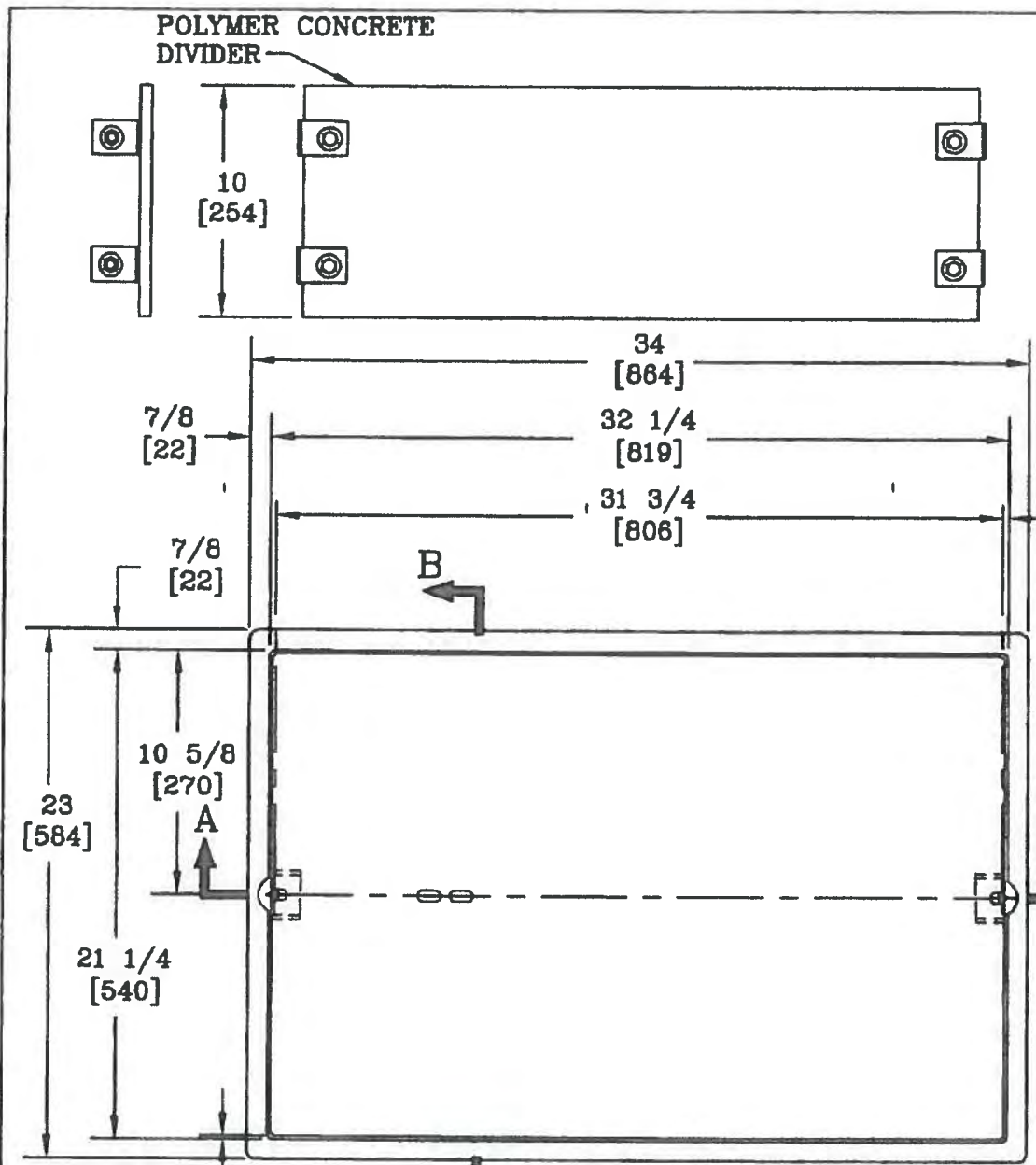
NOTES:

- CUSTOMER IS WSDOT.
- BOX AND COVER WILL MEET ALL TEST PROVISIONS OF THE ANSI/SCTE 77 TIER 15 LOADING REQUIREMENT.
- THE COVER MATERIAL WILL MEET ASTM A36 & ASTM A786 REQUIREMENTS. DIAMOND PLATE COVER WILL BE HOT DIPPED GALVANIZED IN ACCORDANCE WITH ASSHTO M111.
- INTERIOR BOX VOLUME IS 6,591 in<sup>3</sup>.
- 3/8-7 AUGER BOLTS MEET THE REQUIREMENT FOR ASTM F 593.
- ALL HARDWARE IS 18-8 STAINLESS STEEL.

JUNCTION BOX DIMENSION TABLE		
MARK	ITEM	BOX TYPE 2
A	OUTSIDE LENGTH OF JUNCTION BOX	34
B	OUTSIDE WIDTH OF JUNCTION BOX	23
C	INSIDE LENGTH AT TOP OF BOX	30 7/16
D	INSIDE WIDTH AT TOP OF BOX	19 7/16
E	INSIDE LENGTH AT FOOT	28
F	INSIDE WIDTH AT FOOT	17
G	OVERALL HIGHTH OF BOX	12
H	HIGHTH OF BOX TO COVER LEDGE	11 5/8
I	COVER LENGTH	32
J	COVER WIDTH	21
K	COVER DEPTH	3/8

DIMENSIONS ARE IN INCHES OR MILLIMETERS IN BRACKETS UNLESS OTHERWISE NOTED.					
DRN	BY	DATE	WEIGHT	3621 INDUSTRIAL PARK DR LENDOR CITY, TN 37771 800-346-3062 www.quazite.com	LOC
CHK	MSF	3/30/17	151# 68kg		LC
ENG			SCALE		S
APR			NTS		REV
APR			SIZE		B
PROJECT NUMBER			SIZE	DRAWING DESCRIPTION <b>QUAZITE® 17 X 28 X 12            BOX &amp; COVER ASSEMBLY</b>	4/17
SHEET 1 OF 2			DRAWING NUMBER		PC1728Z507-1

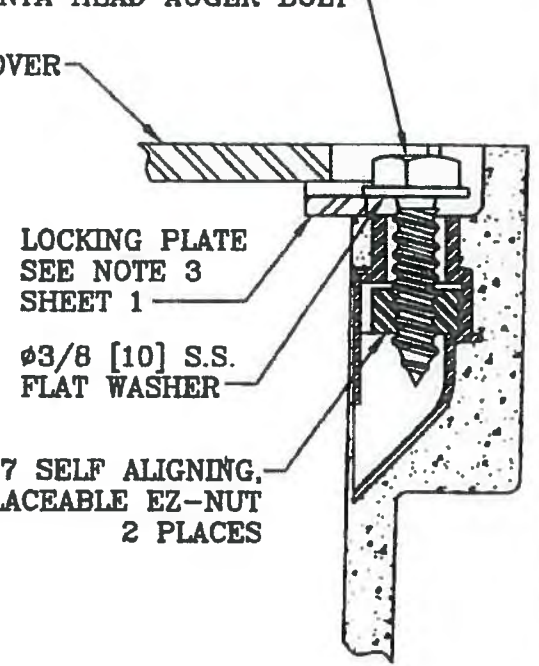
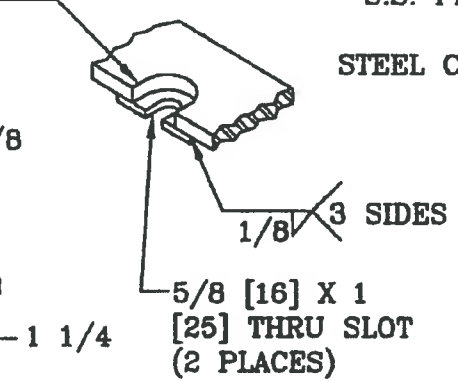
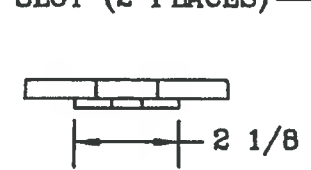
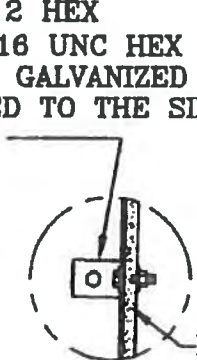
CUSTOMER APPROVAL  
APPROVED BY: \_\_\_\_\_  
DATE: \_\_\_\_\_



3/8-16 UNC X 1 1/2 [38] LONG S.S. GRADE 2 HEX HEAD BOLT, 3/8-16 UNC HEX NUT, & ASTM A36 GALVANIZED STEEL L-BRACKET BOLTED TO THE SIDE OF WALL OF BOX

1 1/4 [32] X 1 3/8 [35] SLOT (2 PLACES)

2X 3/8-7 X 2 [51] LONG S.S. PENTA HEAD AUGER BOLT

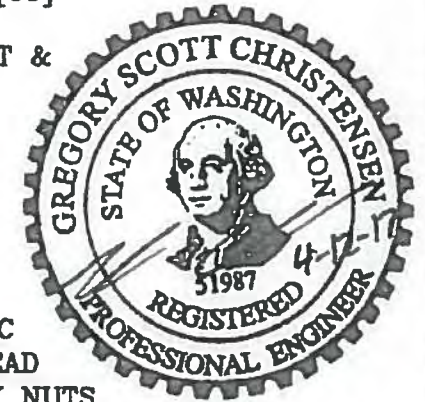


**APPROVED**

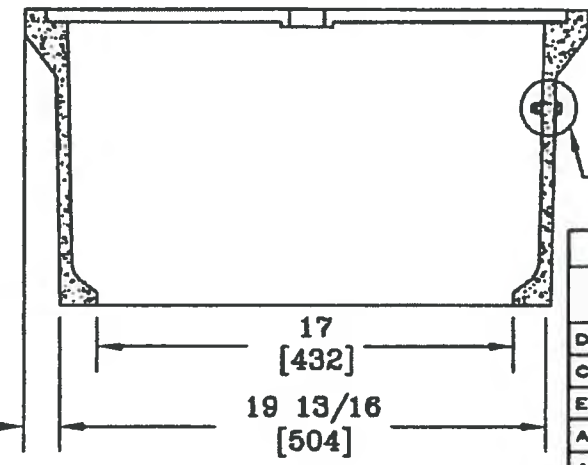
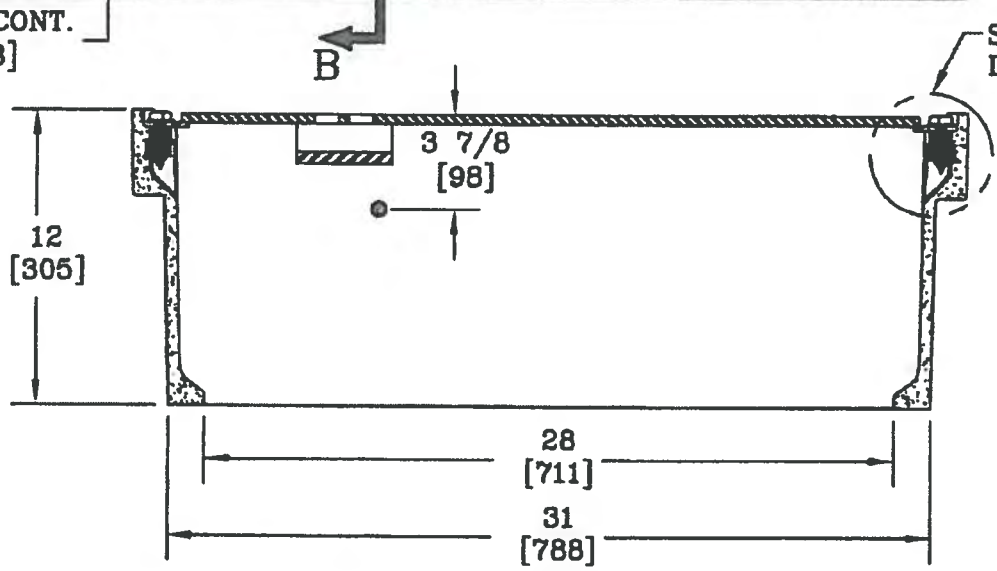
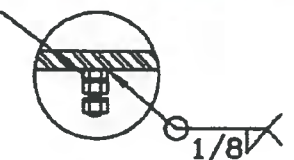
Washington State Department of Transportation HQ Traffic Operations Office  
BY: *[Signature]*  
DATE: 5/11/2017



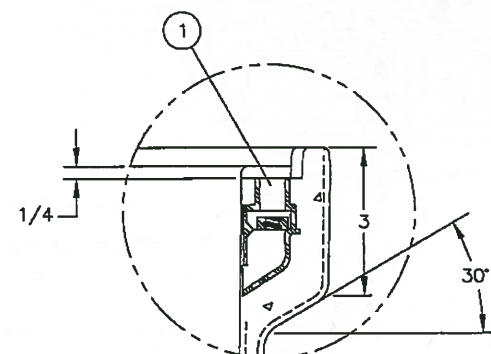
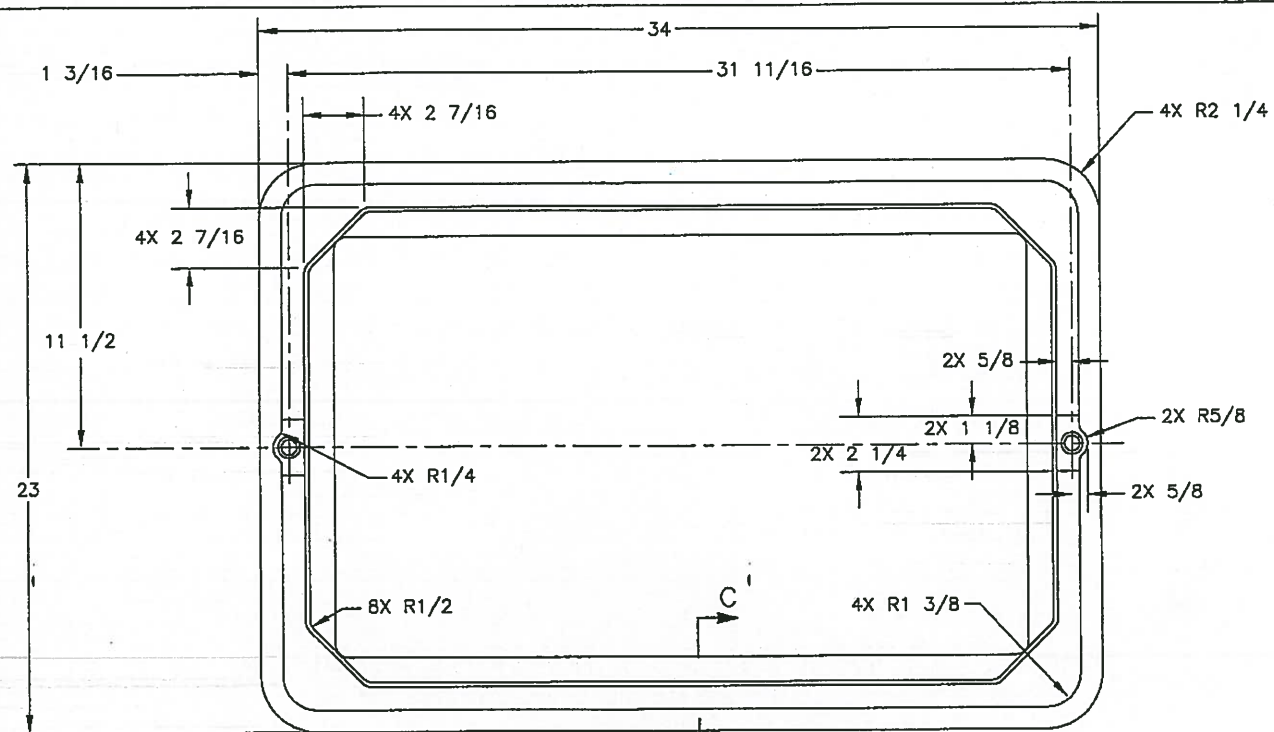
3/8-16 UNC X 1 1/2 [38] LONG S.S. BOLT, 3/8 LOCK WASHER, BRACKET & 3/8-16 UNC HEX NUT



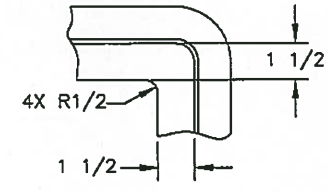
GROUNDING STUD: 1/4-20 UNC X 3/4 [19] LONG S.S. HEX HEAD BOLT W/ (2) 1/4-20 S.S. HEX NUTS & (2) Ø1/4 [6] FLAT WASHERS



DIMENSIONS ARE IN INCHES OR MILLIMETERS IN BRACKETS UNLESS OTHERWISE NOTED.					
DRN	BY	DATE	WEIGHT	 3621 INDUSTRIAL PARK DR LENOIR CITY, TN 37771 800-346-3062 www.quazite.com	LOC
	939	3/30/17	151#		LC
CHK	MS	3/30/17	68kg		S
ENG			SCALE		REV
APR			NTS		B
APR			SIZE		4/17
			B		
PROJECT NUMBER			DRAWING NUMBER		
			SHEET 2 OF 2		PC1728Z507-2

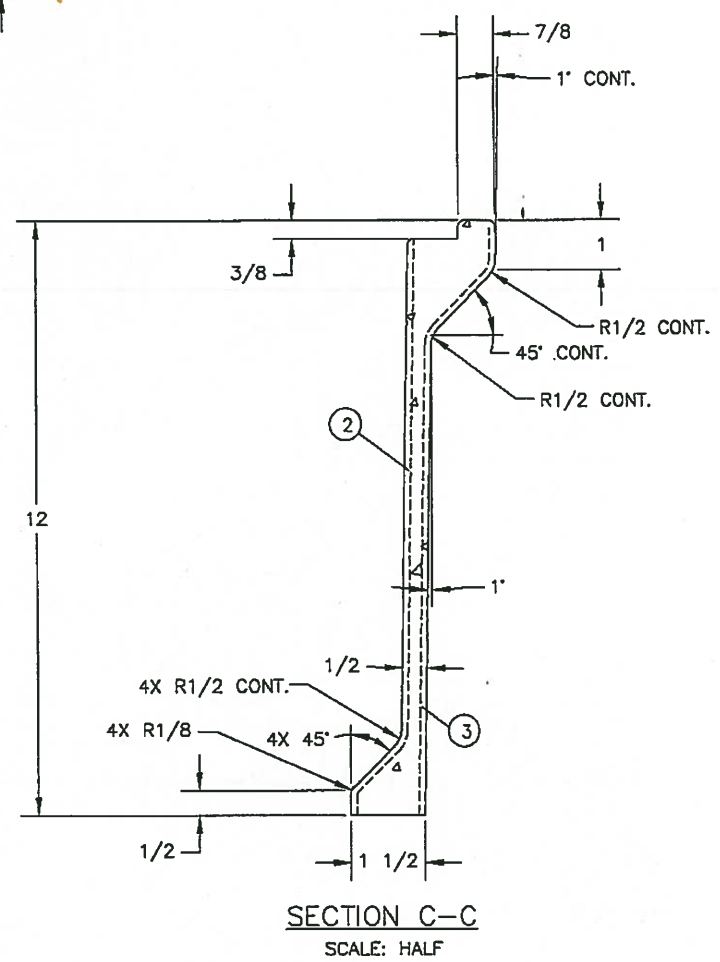
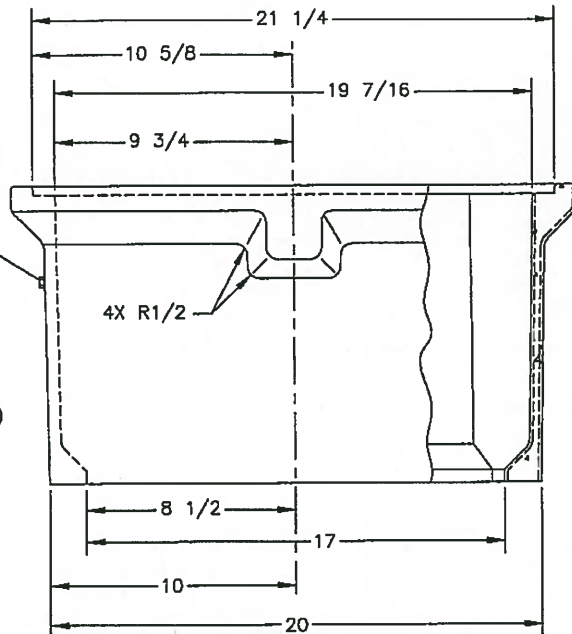
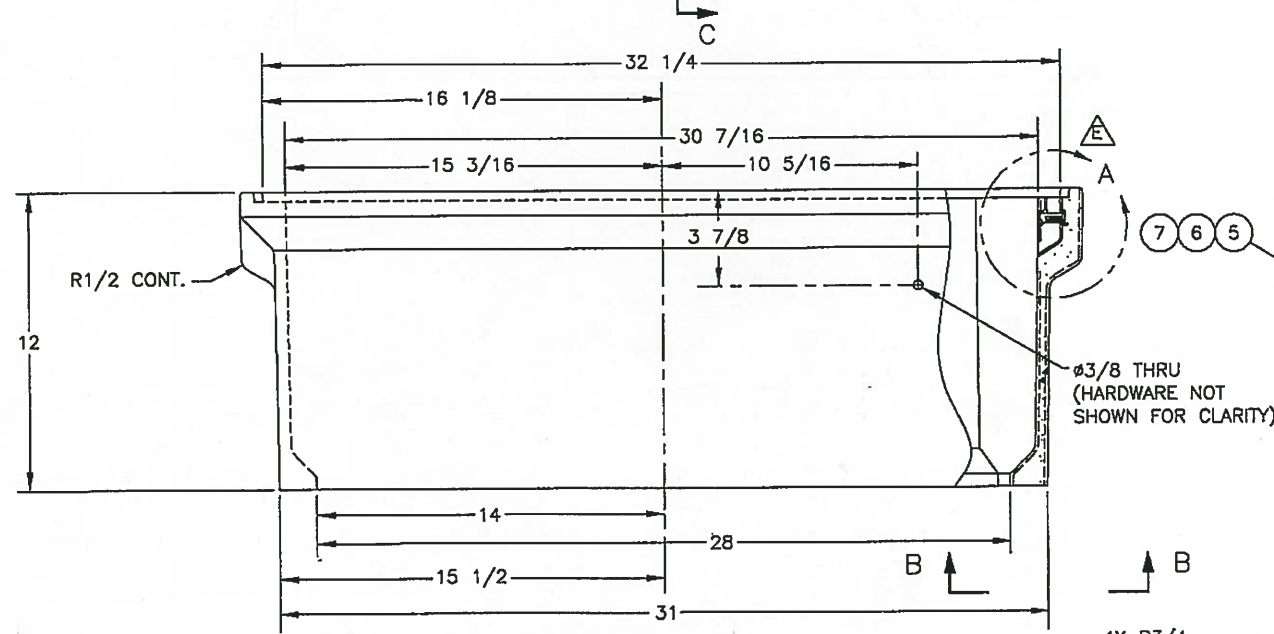


DETAIL A  
SCALE: HALF  
2 PLACES



VIEW B-B  
SCALE: FULL  
4 PLACES

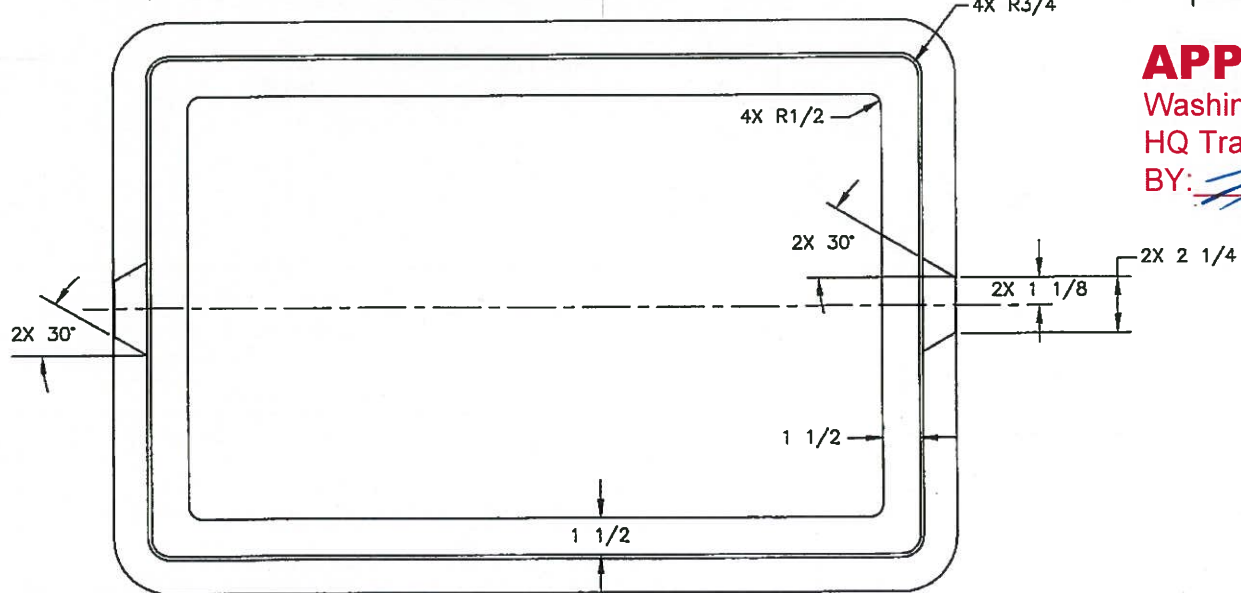
ITEM NO.	CAT.	PART NUMBER	DESCRIPTION	QUANTITY	UOM
1	L	C080412	INSERT EZ-NUT 3/8-7 LAG ASSY (FULL)	2.00	EA
2	L	C092069	FG 10 BA 110.00 X 12.00	1.00	EA
3	L	C092072	FG 10 BA 100.00 X 12.00	1.00	EA
4	L	C099200	MIX-UT BOX 15.5 PCT RESIN	77.00	LB
5	L	C082246	BOLT SS 5/16-18 X 2 HEX	1.00	EA
6	L	C082341	NUT SS 5/16-18 UNC HEX	1.00	EA
7	L	C080270	WASHER SS 5/16ID X 3/4OD FLAT	1.00	EA



SECTION C-C  
SCALE: HALF

**APPROVED**  
Washington State Department of Transportation  
HQ Traffic Operations Office  
BY: *[Signature]* DATE: 2/5/2018

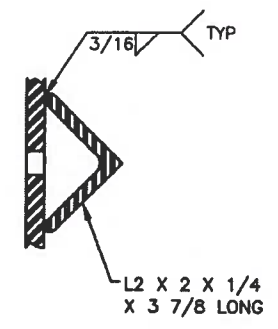
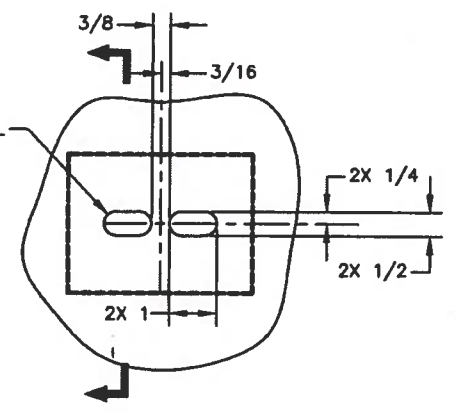
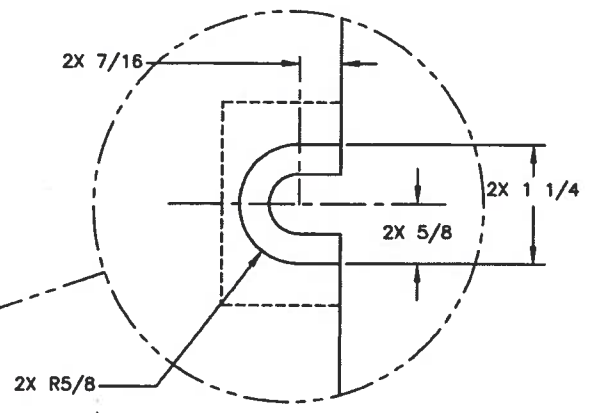
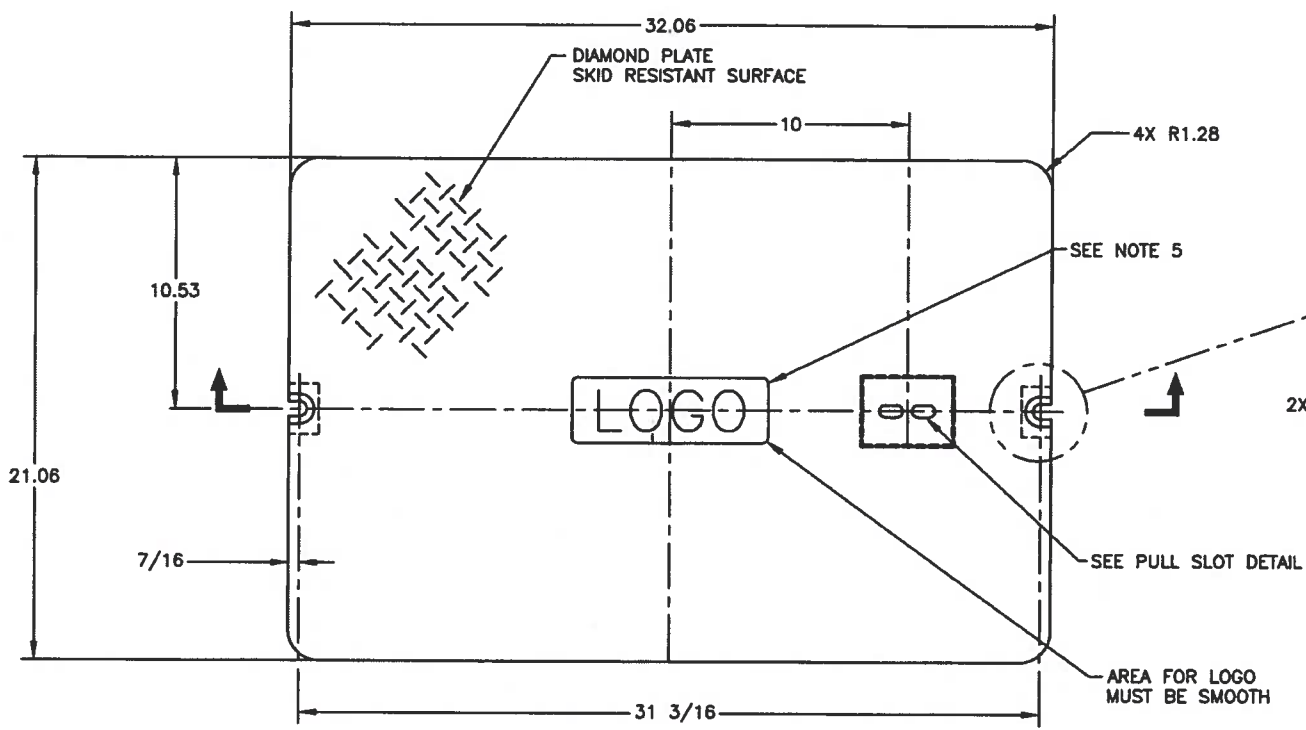
**NOTE: BOX PART NUMBER STAMP WILL READ:  
PC1728B500A**



- NOTES:
1. ALL FILLETS AND RADII TO BE 1/8 UNLESS OTHERWISE SPECIFIED.
  2. FOR EZ-NUT RETAINER TOOLING SEE CT96108-2
  3. RATED FOR TIER 15 APPLICATIONS

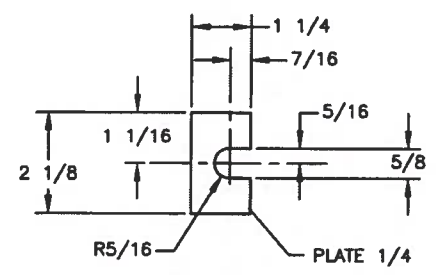
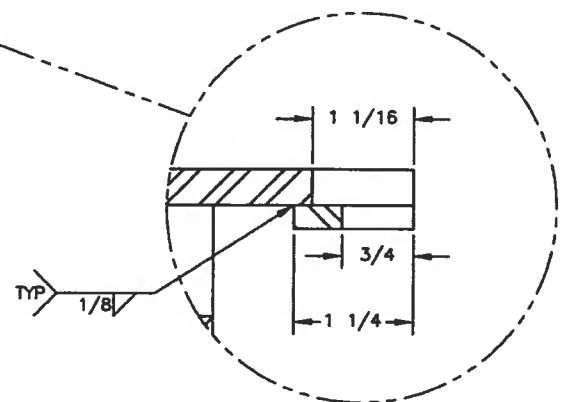
<p>APPROVED</p> <p>1. MAINT. _____</p> <p>2. PROD. _____</p> <p>3. QUALITY _____</p>		<p>STANDARD TOLERANCES</p> <p>ALL DIMENSIONS ARE IN INCHES UNLESS OTHERWISE SPECIFIED</p> <p>0.....±.100</p> <p>.00.....±.060</p> <p>.000.....±.010</p> <p>FRACTIONAL.....±1/16</p> <p>ANGULAR.....±.5°</p>		<p>3821 INDUSTRIAL PARK DR LENOIR CITY, TN 37771 800-348-3082 www.quazite.com</p>	
		<p>PROPRIETARY INFORMATION</p> <p>THIS DRAWING EMBODIES PROPRIETARY AND CONFIDENTIAL INFORMATION, AND IS LOANED BY HUBBELL TO THE UNDERSIGNEDS THAT IT WILL NOT BE DISCLOSED IN PART OR WHOLE, AND/OR BE USED FOR ANY PURPOSE OTHER THAN MANUFACTURE, REPAIR, OR INSTALLATION, UNLESS EXPRESSLY AUTHORIZED, AND THAT IT BE RETURNED ON DEMAND.</p>		<p>BY: <i>[Signature]</i> DATE: 1/22/18</p> <p>DRN: <i>[Signature]</i></p> <p>CHK: _____</p> <p>ENG: _____</p> <p>APR: _____</p> <p>PROJECT NUMBER: 110611</p>	
		<p>QUAZITE® BOX</p>		<p>DRAWING DESCRIPTION</p>	
		<p>SCALE: _____</p>		<p>DRAWING NUMBER: PC1728B500-2-1</p>	
		<p>SHEET 1 OF 1</p>		<p>LOG</p> <p>REV: E</p> <p>DATE: 1/16</p>	

PART NUMBER	LOGO
PC1728S503U33	LT
PC1728S503U53	TEL
PC1728S503U23	ITS
PC1728S503U13	COMM
PC1728S503U43	TS

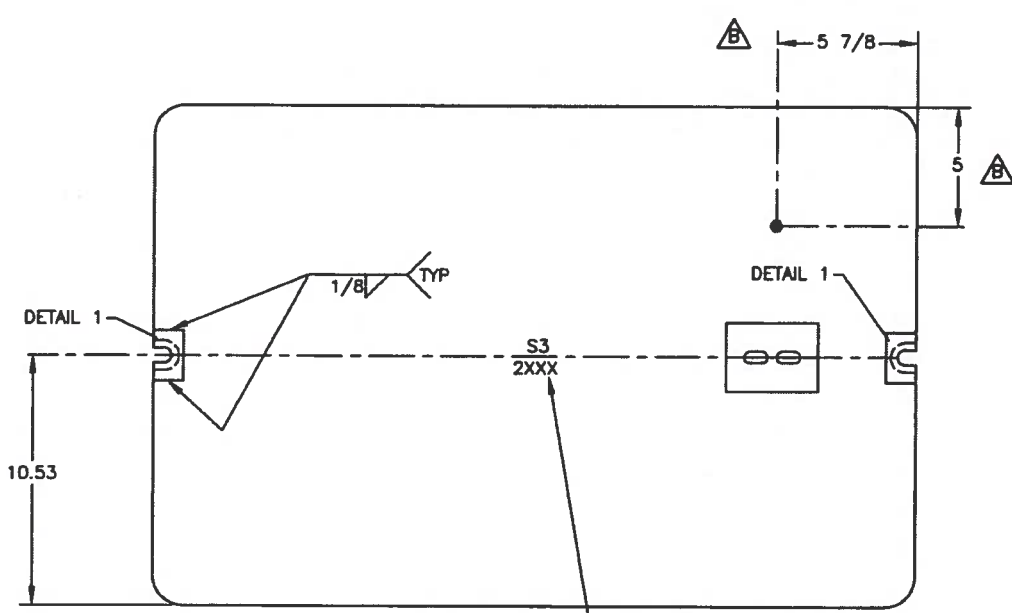


**APPROVED AS NOTED**  
 Washington State Department of Transportation  
 HQ Traffic Operations Office  
 BY: [Signature] DATE: 5/11/2017

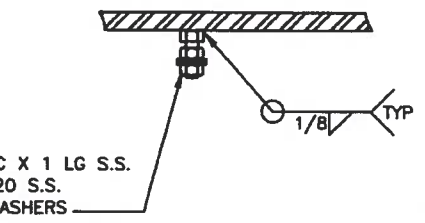
PULL SLOT DETAIL  
SCALE: HALF



DETAIL 1  
SCALE: HALF  
2 REQUIRED



GROUNDING STUD: 1/4-20 UNC X 1 LG S.S.  
 HEX HEAD BOLT W/ (2) 1/4-20 S.S.  
 HEX NUTS & (2) #1/4 FLAT WASHERS



GROUND STUD DETAIL  
SCALE: HALF

- NOTES:
- ALL MATERIAL TO BE ASTM A36 OR EQUIVALENT
  - ALL WELDS TO USE E-70 SERIES ELECTRODES; WELD PENETRATION NOT TO EXCEED 75% OF THINNER MATERIAL.
  - GALVANIZE:
    - DEBURR, CLEAN MILL SCALE & SLAG, AND DEGREASE
    - HOT DIP GALVANIZE AFTER WELDING IN ACCORDANCE WITH ASSHTO ~~M111~~ M111
  - THIS COVER IS RATED FOR A DESIGN LOAD OF 15,000 LBS.
  - LOGO TO BE 1" HIGH LETTERS USING 1/8" WELD BEAD.

APPROVED

1. MAINT. \_\_\_\_\_

2. PROD. \_\_\_\_\_

3. QUALITY \_\_\_\_\_

STANDARD TOLERANCES		MATERIALS		DRAWING DESCRIPTION		LOGO
ALL DIMENSIONS UNLESS OTHERWISE SPECIFIED		BY	DATE	728	QUAZITE STEEL COVER	
0.....±.100		CHK	3/14/17			
.00.....±.080		ENR	3/14/17			
.000.....±.010		APP				
FRACTIONAL.....±1/16		PROJ				
ANGULAR.....±.5°						
PROPRIETARY INFORMATION		DRAWING NUMBER		PROJECT NUMBER		
THIS DRAWING IS THE PROPERTY OF QUAZITE STEEL COVER, INC. AND IS LOANED TO YOU BY THE WASHINGTON STATE DEPARTMENT OF TRANSPORTATION. IT IS TO BE USED ONLY FOR THE PROJECT AND SITE SPECIFICALLY IDENTIFIED ON THE DRAWING. IT IS NOT TO BE REPRODUCED, COPIED, OR OTHERWISE USED FOR ANY OTHER PROJECT OR SITE WITHOUT THE WRITTEN PERMISSION OF QUAZITE STEEL COVER, INC.		3821 INDUSTRIAL PARK DR LEANDER CITY, TN 37771 800-346-3062 www.quazite.com		1		
		DRAWING NUMBER		PROJECT NUMBER		
		1		PC1728S503-2-1		