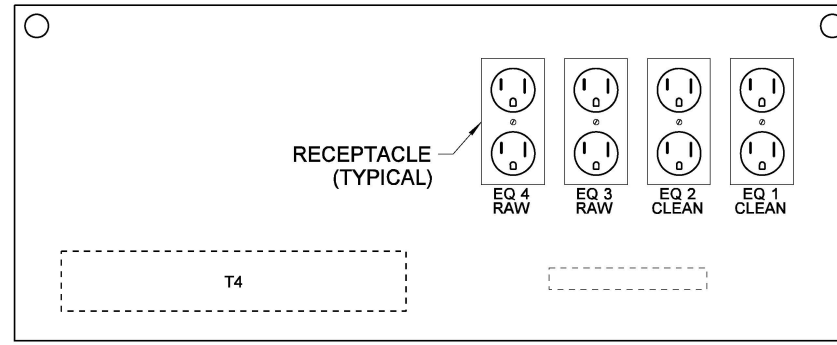
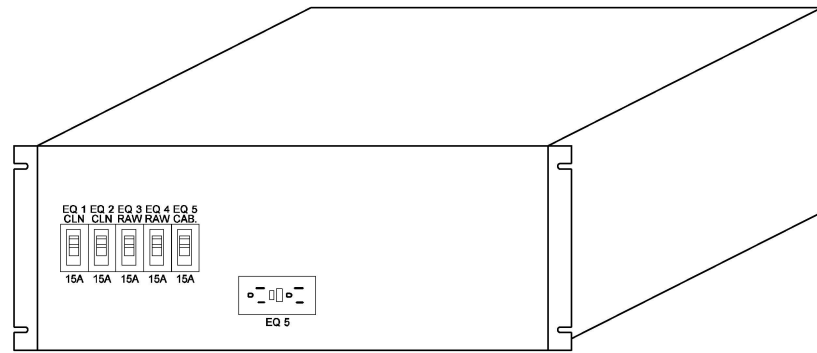


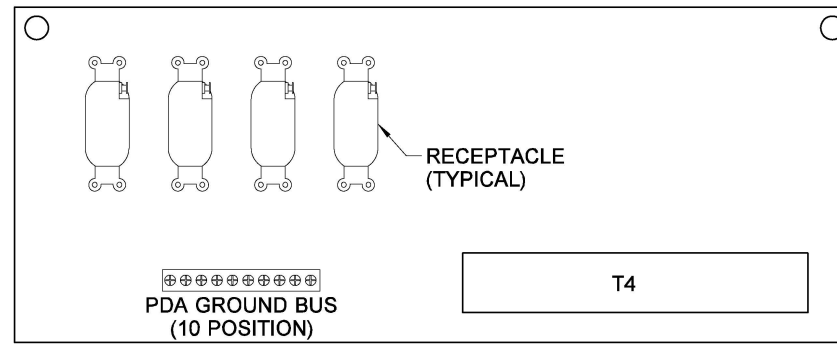
FRONT VIEW



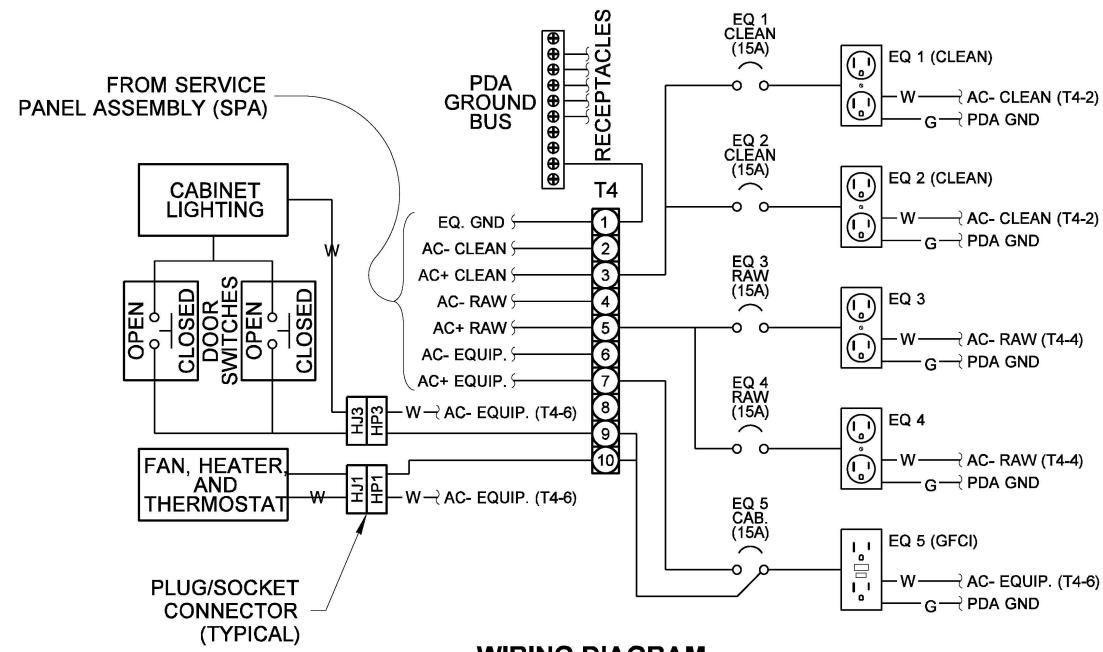
REAR VIEW (EXTERIOR)



ISOMETRIC VIEW



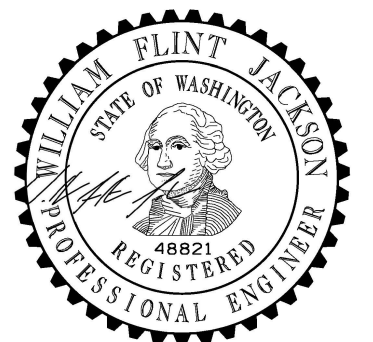
REAR VIEW (INTERIOR - FOLD DOWN PANEL)



WIRING DIAGRAM

NOTES

1. The Power Distribution Assembly (PDA) shall meet the requirements of and be constructed in accordance with the California Department of Transportation (CalTrans) Transportation Electrical Equipment Specifications (TEES) dated March 12, 2009, including all errata, with the modifications shown here and described in **Standard Specification Section 9-29.13(10)**. Exterior dimensions shall be the same as described in the TEES for PDA #2LX/PDA #3LX.
2. Circuit breakers shall include covers to prevent accidental tripping.
3. Bus bars shall be capable of being used without installing lugs on wires.
4. Clean receptacles shall be orange in color.



Aug 30, 2022

ITS POWER DISTRIBUTION ASSEMBLY (PDA-ITS)

STANDARD PLAN J-84.05-00

SHEET 1 OF 1 SHEET

APPROVED FOR PUBLICATION

Mark Gaines
Mark Gaines (Aug 30, 2022 11:31 PDT)

Aug 30, 2022

STATE DESIGN ENGINEER



Washington State Department of Transportation