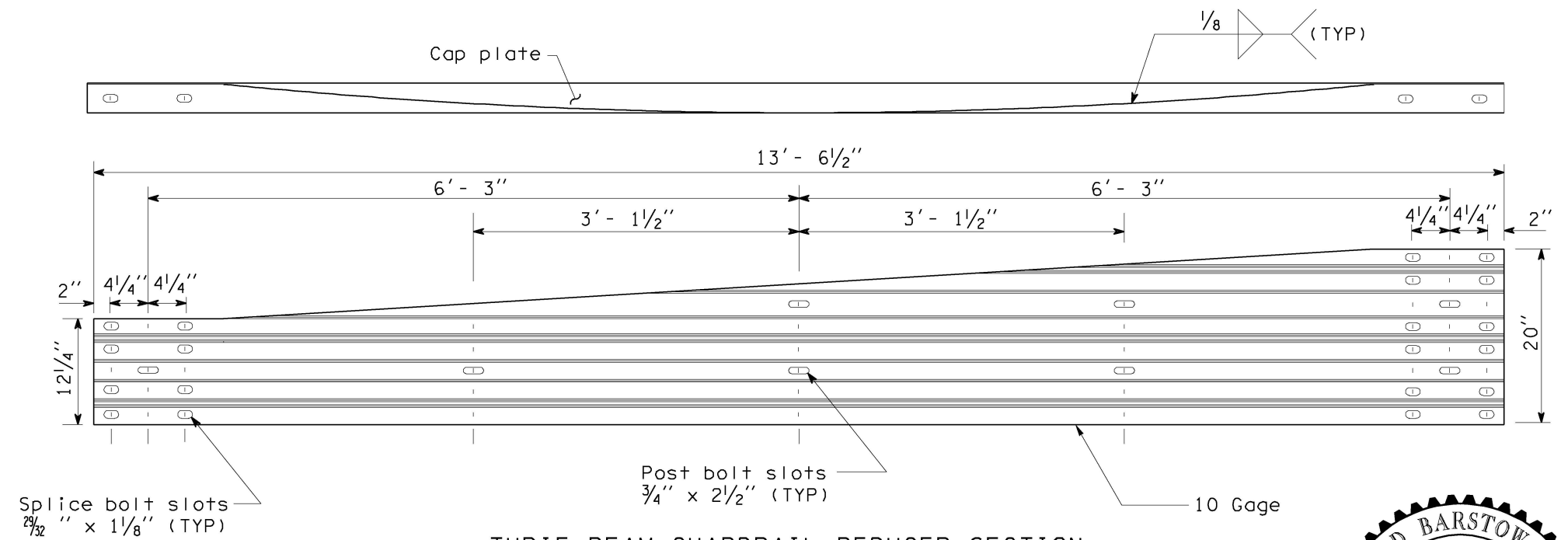


INTERMEDIATE GUARDRAIL
POST CONNECTION DETAILS
(Type A shown)

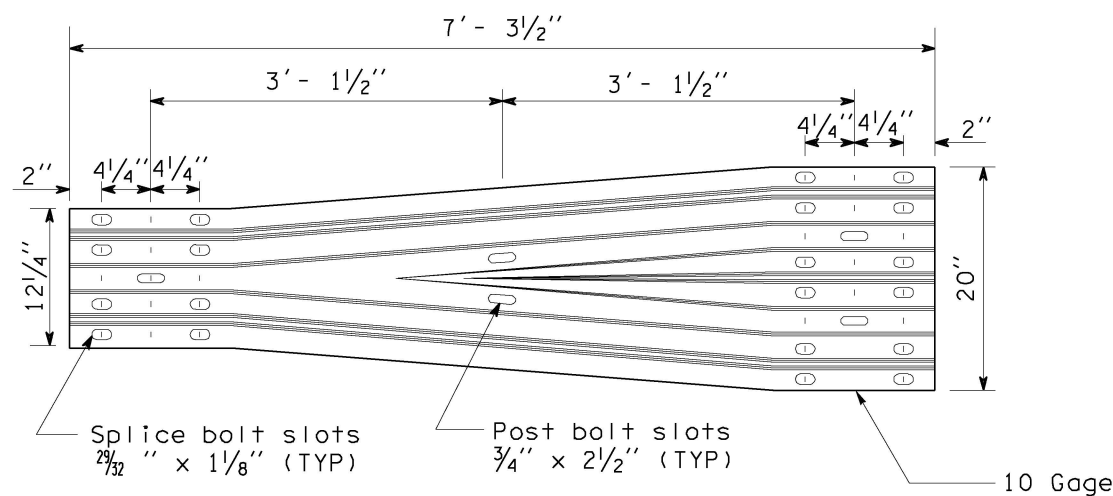
NOTES

1. For wood posts, saw top of post and block to 1" above thrie beam guardrail reducer section. For steel posts, drive post down to 1" maximum above the thrie beam guardrail reducer section.



THRIE BEAM GUARDRAIL REDUCER SECTION
TYPE A

(Left section shown, right section reversed)



THRIE BEAM GUARDRAIL REDUCER SECTION
TYPE B



EXPIRES JULY 24, 2004

NOTE: THIS PLAN IS NOT A LEGAL ENGINEERING DOCUMENT BUT AN ELECTRONIC DUPLICATE. THE ORIGINAL, SIGNED BY THE ENGINEER AND APPROVED FOR PUBLICATION, IS KEPT ON FILE AT THE WASHINGTON STATE DEPARTMENT OF TRANSPORTATION. A COPY MAY BE OBTAINED UPON REQUEST.

**THRIE BEAM GUARDRAIL
REDUCER SECTION**

STANDARD PLAN C-1d

SHEET 1 OF 1 SHEET

APPROVED FOR PUBLICATION

Harold J. Peterfeso 10-31-03
STATE DESIGN ENGINEER DATE



09/2003	ADDED 10 GAGE STEEL DESIGNATION; REV. NOTE 1	RC
DATE	REVISION	BY