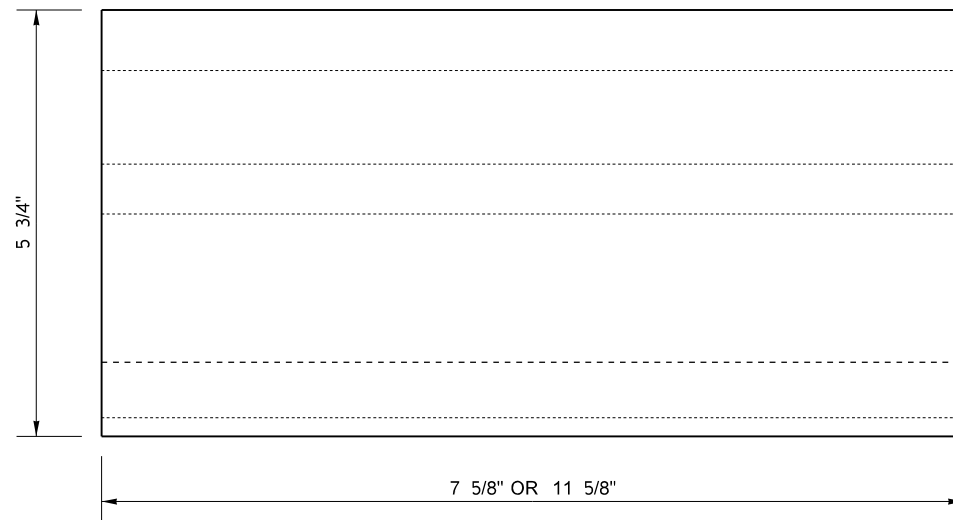
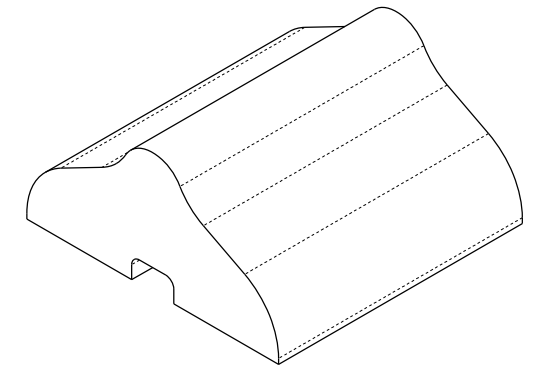


SECTION

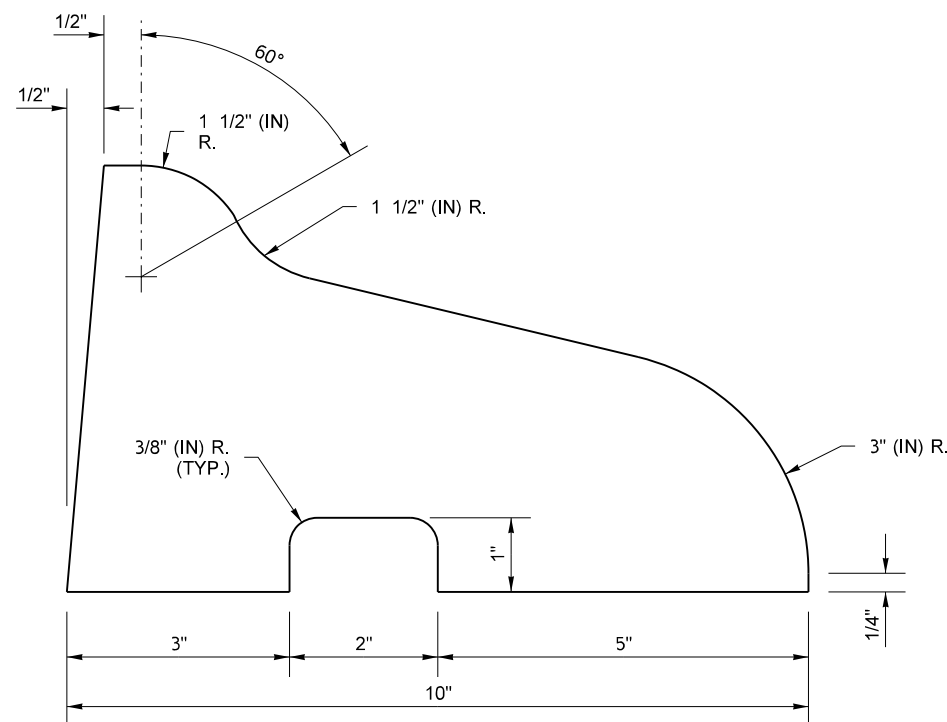


ELEVATION

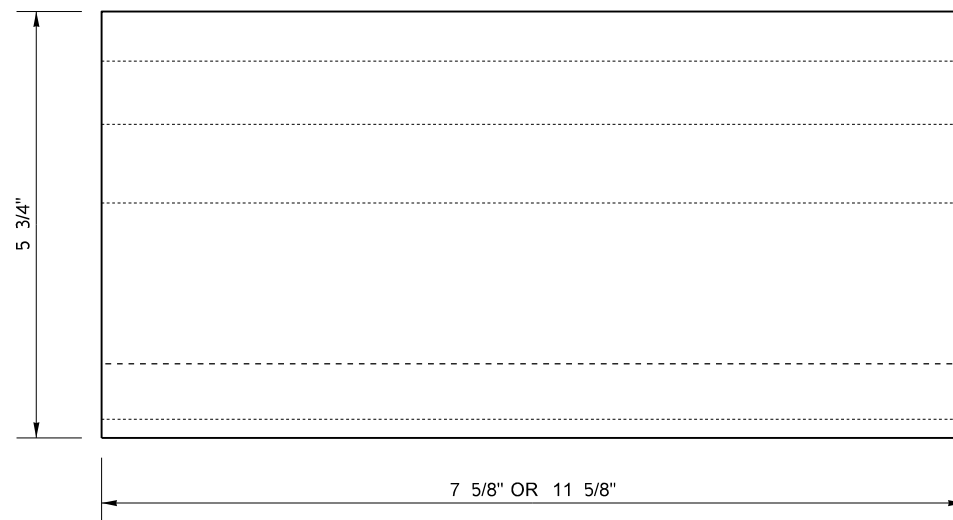
TYPE C BLOCK



TYPE C BLOCK

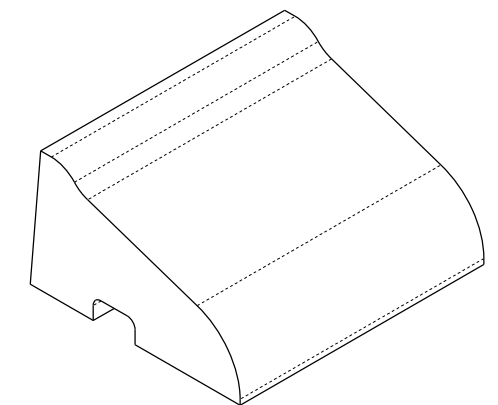


SECTION



ELEVATION

TYPE A BLOCK



TYPE A BLOCK
ISOMETRIC VIEWS

FILE NAME		S:\Design R P& S\4-Standards\2-Plan Sheet Library\01-Published PSL(GD) Curbs, Sidewalks, and Driveways		Geometric Design(GD-2) Block Traffic		Curb\GD-2.dgn		Plot 1	
TIME		1:49:56 PM		REGION NO.		STATE		PLAN REF NO	
DATE		10/6/2014		WASH		FED.AID PROJ.NO.		GD-2	
PLOTTED BY		FletcCo		JOB NUMBER		LOCATION NO.		SHEET	
DESIGNED BY				CONTRACT NO.				1	
ENTERED BY				DATE		DATE		OF	
CHECKED BY				P.E. STAMP BOX		P.E. STAMP BOX		1	
PROJ. ENGR.				REVISION		DATE		BY	
REGIONAL ADM.				DATE		BY		SHEETS	
								BLOCK TRAFFIC CURB	

