

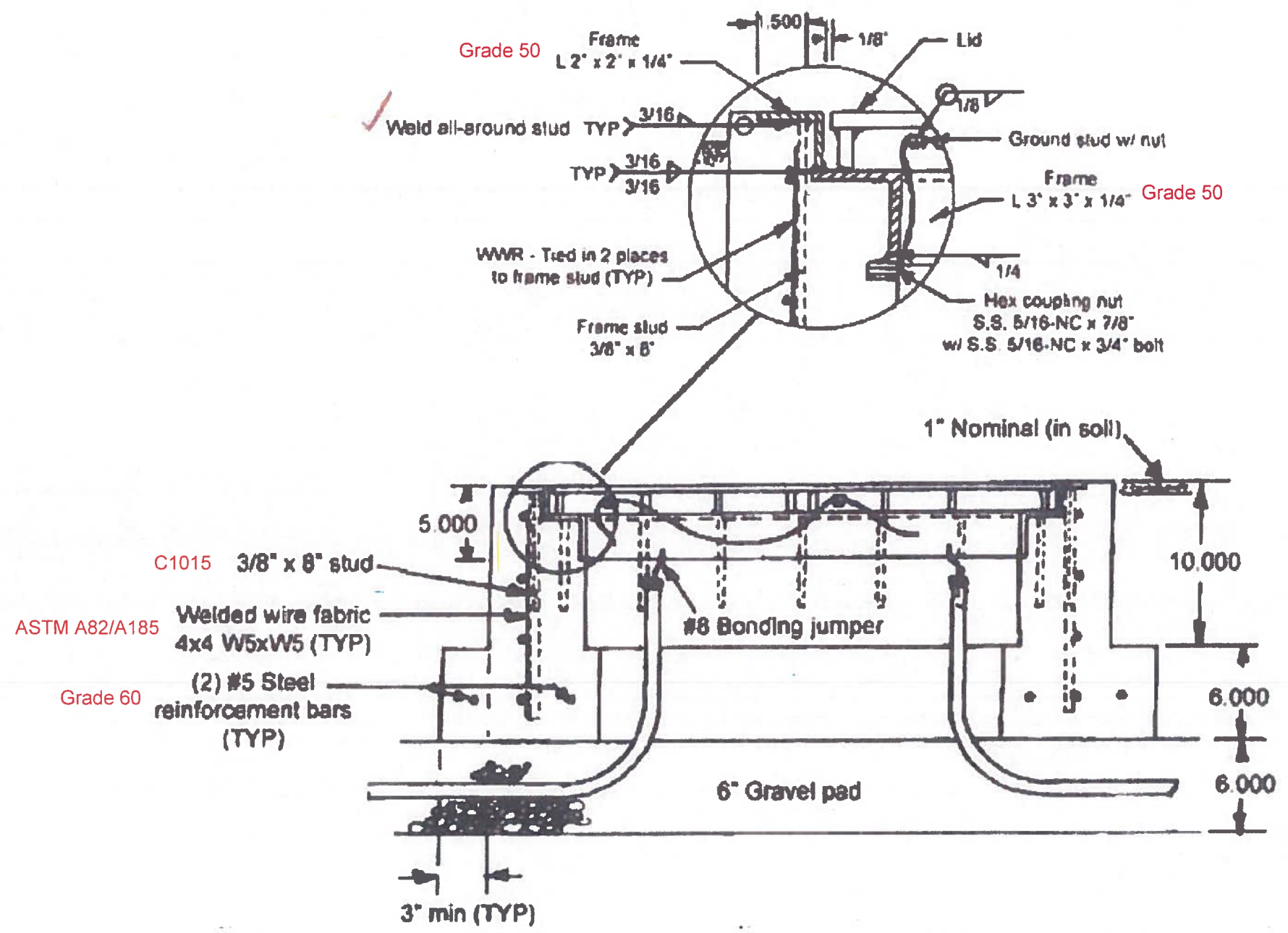
APPROVED AS NOTED
 Washington State Department of Transportation
 HQ Traffic Operations Office
 BY: [Signature] DATE: 8/16/2019

Fog Tite Inc. J-11 Type 5

Y5

3/4

2/5



APPROVED AS NOTED

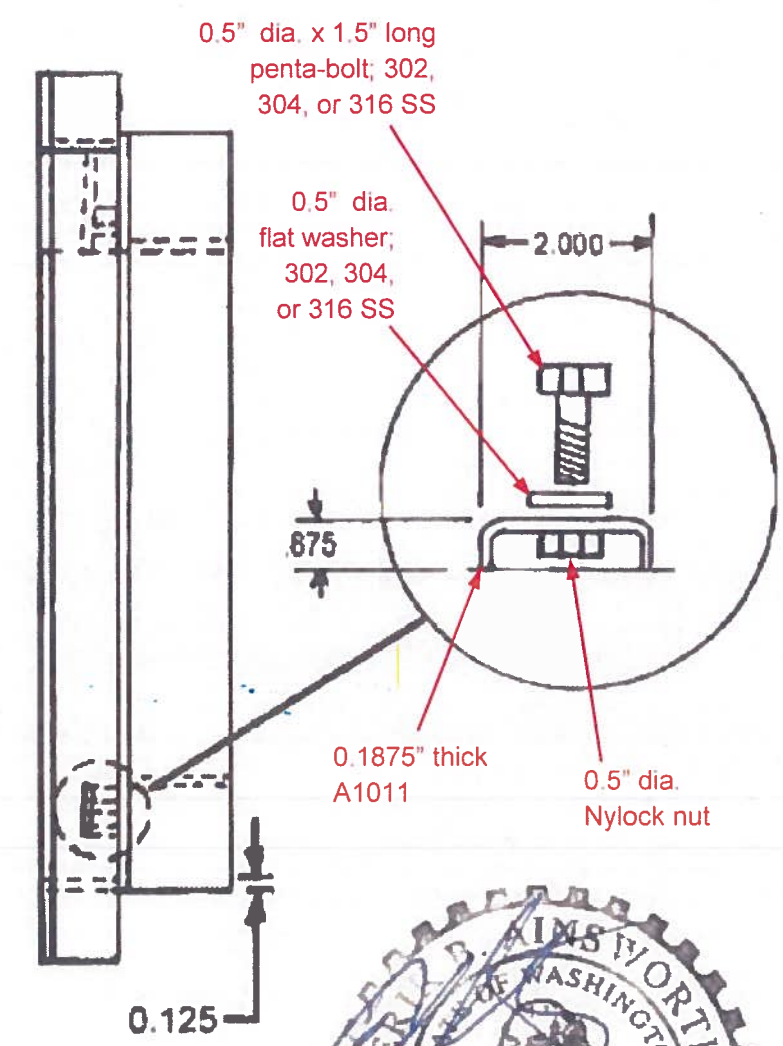
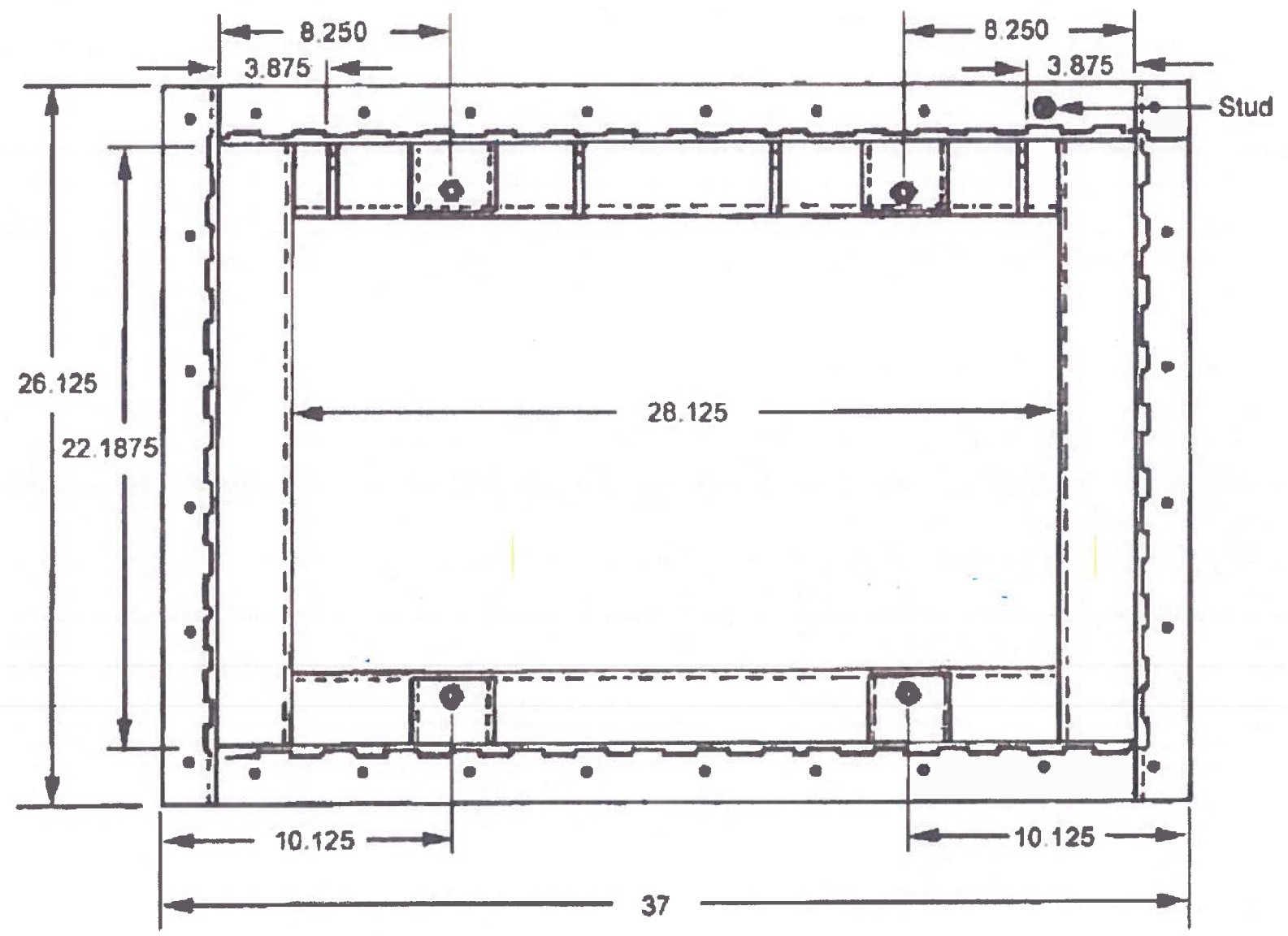
Washington State Department of Transportation
 HQ Traffic Operations Office

BY: MC DATE: 8/16/2019

Fog Tite Inc. J-11 Type 5

5/5

3/5



APPROVED AS NOTED

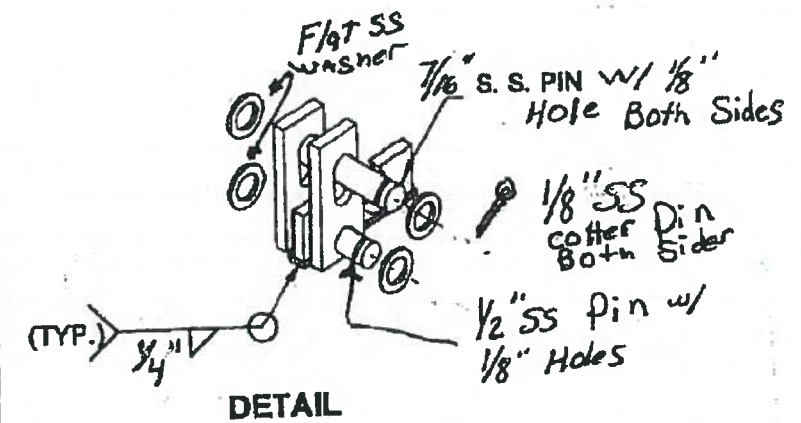
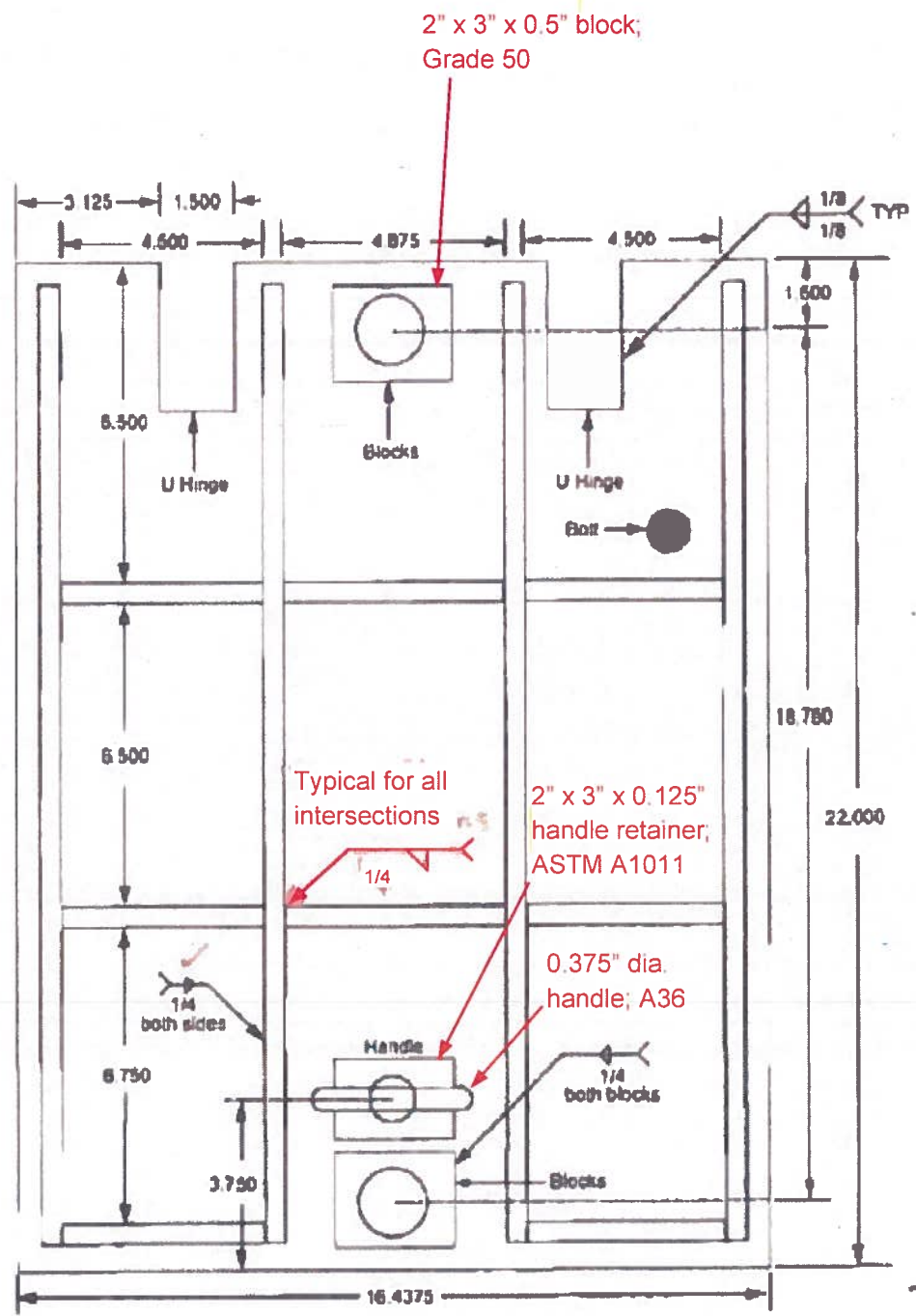
Washington State Department of Transportation
HQ Traffic Operations Office

BY: [Signature] DATE: 8/16/2019

Fog Tite Inc. J-11 Type 5

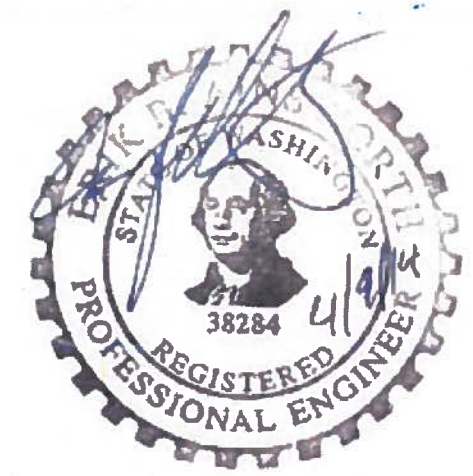
3/5

4/5



Hinge Assembly Detail; plate pieces A36 steel

Machine after welding



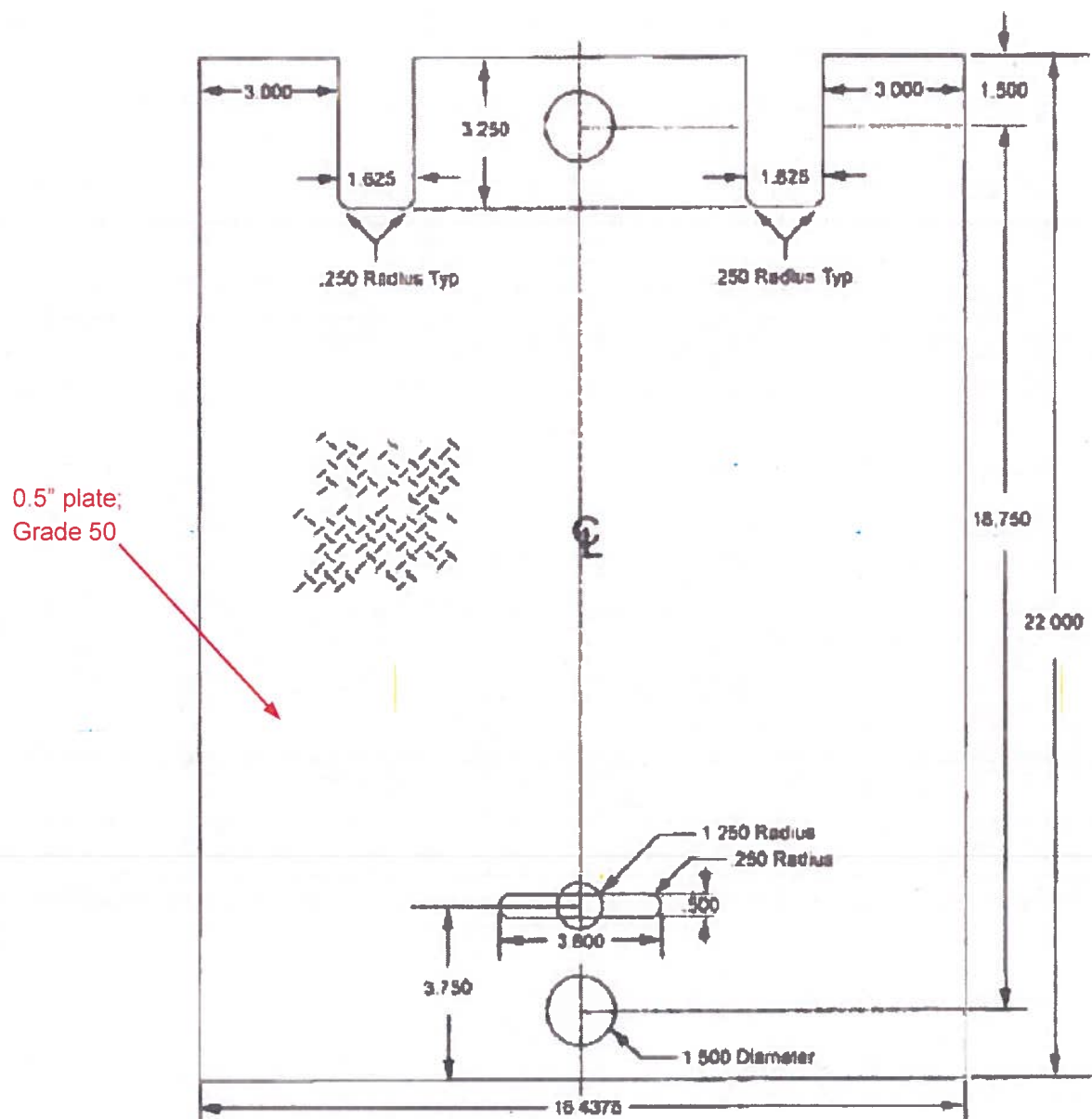
APPROVED AS NOTED

Washington State Department of Transportation
HQ Traffic Operations Office

BY: AE JV DATE: 8/16/2019

Fog Tite Inc. J-11 Type 5

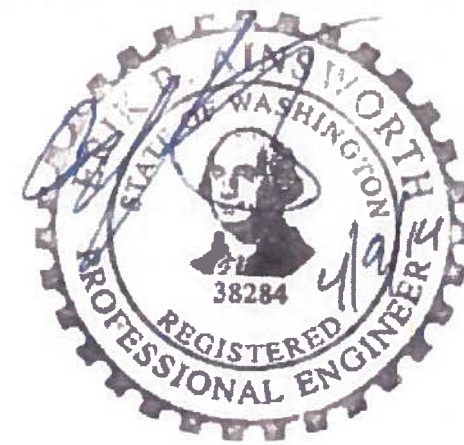
12/



APPROVED AS NOTED

Washington State Department of Transportation
HQ Traffic Operations Office

BY: [Signature] DATE: 8/16/2019



Fog Tite Inc. J-11 Type 5

w/a