

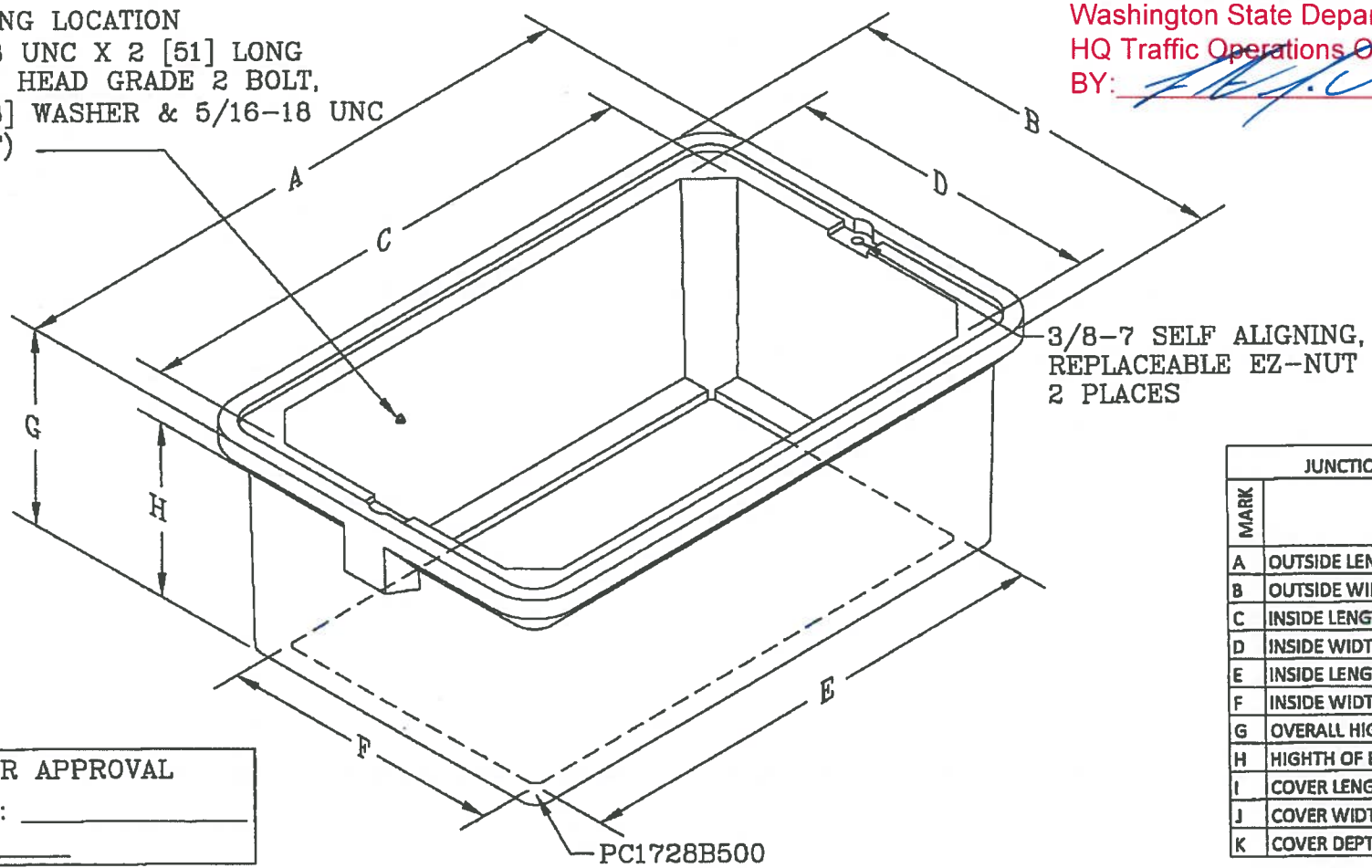
GROUNDING STUD: 1/4-20 UNC X 1 [25] LONG S.S. HEX HEAD BOLT W/ (2) 1/4-20 S.S. HEX NUTS & (2) ø1/4 [6] FLAT WASHERS

SECTION A-A



APPROVED
 Washington State Department of Transportation
 HQ Traffic Operations Office
 BY: [Signature] DATE: 5/11/2017

GROUNDING LOCATION
 (5/16-18 UNC X 2 [51] LONG S.S. HEX HEAD GRADE 2 BOLT, ø5/16 [8] WASHER & 5/16-18 UNC HEX NUT)



*LOGO CHART	
LOGO CODE	TEXT
U13	COMM
U23	ITS
U33	LT
U43	TS
U53	TEL

JUNCTION BOX DIMENSION TABLE		
MARK	ITEM	BOX TYPE 2
A	OUTSIDE LENGTH OF JUNCTION BOX	34
B	OUTSIDE WIDTH OF JUNCTION BOX	23
C	INSIDE LENGTH AT TOP OF BOX	30 7/16
D	INSIDE WIDTH AT TOP OF BOX	19 7/16
E	INSIDE LENGTH AT FOOT	28
F	INSIDE WIDTH AT FOOT	17
G	OVERALL HIGHTH OF BOX	12
H	HIGHTH OF BOX TO COVER LEDGE	11 5/8
I	COVER LENGTH	32
J	COVER WIDTH	21
K	COVER DEPTH	3/8

NOTES:

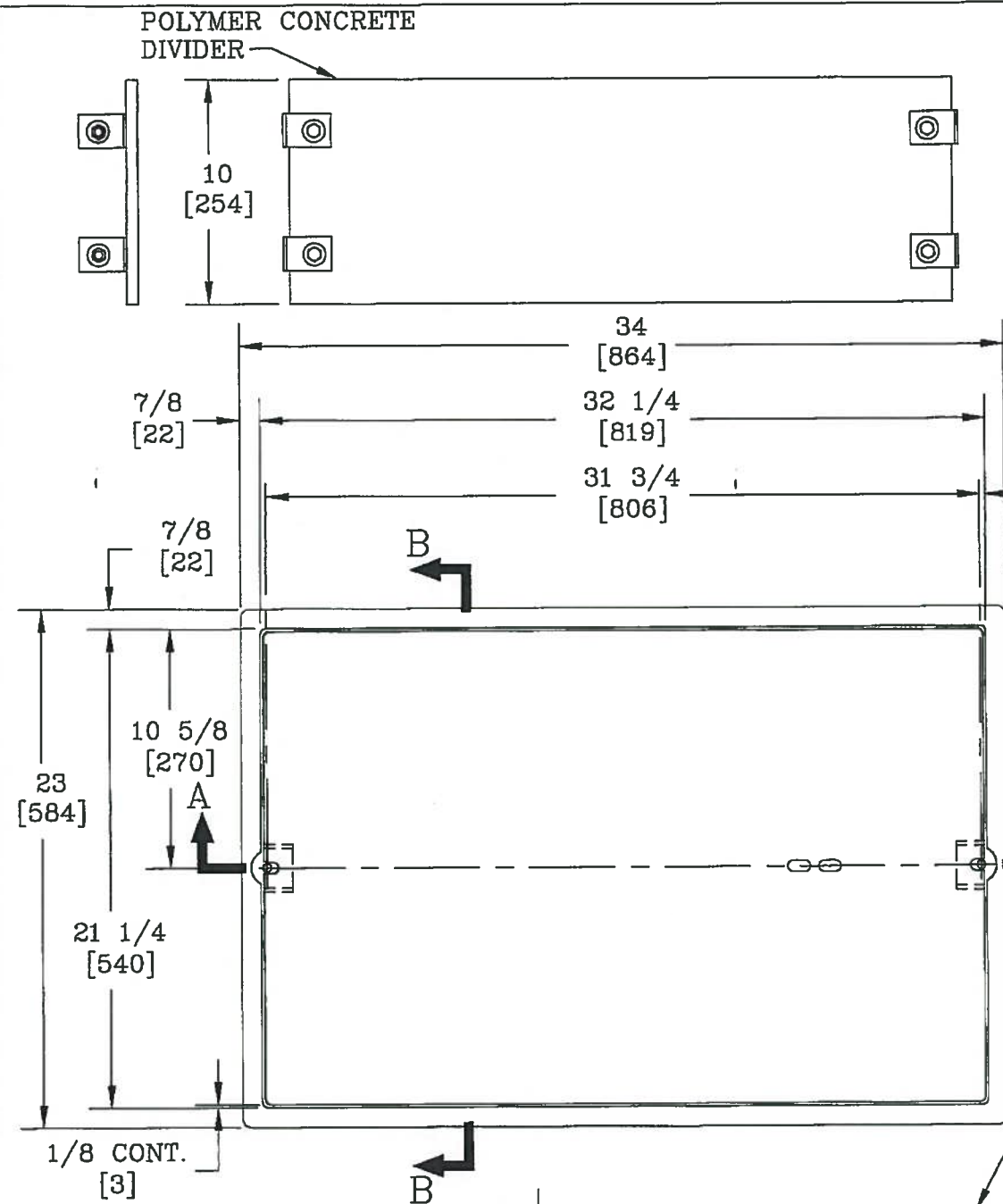
- CUSTOMER IS WSDOT.
- BOX AND COVER WILL MEET ALL TEST PROVISIONS OF THE ANSI/SCTE 77 TIER 15 LOADING REQUIREMENT.
- THE COVER MATERIAL WILL MEET ASTM A36 & ASTM A786 REQUIREMENTS. DIAMOND PLATE COVER WILL BE PAINTED BLACK.
- INTERIOR BOX VOLUME IS 6,591 in³.
- 3/8-7 AUGER BOLTS MEET THE REQUIRMENT FOR ASTM F 593.
- ALL HARDWARE IS 18-8 STAINLESS STEEL.

CUSTOMER APPROVAL
 APPROVED BY: _____
 DATE: _____

DIMENSIONS ARE IN INCHES OR MILLIMETERS IN BRACKETS UNLESS OTHERWISE NOTED.

DRN	BY	DATE	WEIGHT	3621 INDUSTRIAL PARK DR LENOIR CITY, TN 37771 800-346-3062 www.quazite.com	LOC
CHK	MSF	9/25/12	151# 88kg		LC
ENG			SCALE	DRAWING DESCRIPTION QUAZITE® 17 X 28 X 12 BOX & COVER ASSEMBLY	REV
APR			N.T.S.		L
APR			SIZE		9/18
PROJECT NUMBER			DRAWING NUMBER		
106956			PC1728Z501-1		

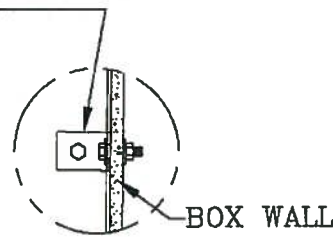
SHEET 1 OF 2



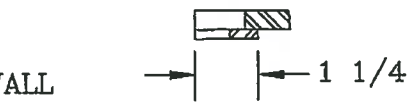
3/8-16 UNC X 1 1/2 [38]
LONG S.S. GRADE 2 HEX
HEAD BOLT, 3/8-16 UNC HEX
NUT, & ASTM A36 GALVANIZED STEEL
L-BRACKET BOLTED TO THE SIDE
OF WALL OF BOX

1 1/4 [32] X 1 3/8 [35]
SLOT (2 PLACES)

2X 3/8-7 X 2 [51] LONG
S.S. PENTA HEAD AUGER BOLT



L-BRACKET DETAIL
SCALE: HALF



SLOT DETAIL
NTS

STEEL COVER

1/8 X 3 SIDES
5/8 [16] X 1
[25] THRU SLOT
(2 PLACES)

LOCKING PLATE
SEE NOTE 3
SHEET 1
ø3/8 [10] S.S.
FLAT WASHER

3/8-7 SELF ALIGNING,
REPLACEABLE EZ-NUT
2 PLACES

BOLT DOWN DETAIL
NTS

APPROVED
Washington State
Department of
Transportation
HQ Traffic Operations Office
BY: *[Signature]*
DATE: 5/11/2017

GROUNDING LOCATION
(5/16-18 UNC X 2 [51] LONG
S.S. HEX HEAD GRADE 2 BOLT,
ø5/16 [8] WASHER & 5/16-18 UNC
HEX NUT)

GROUNDING BOLT DETAIL
NTS

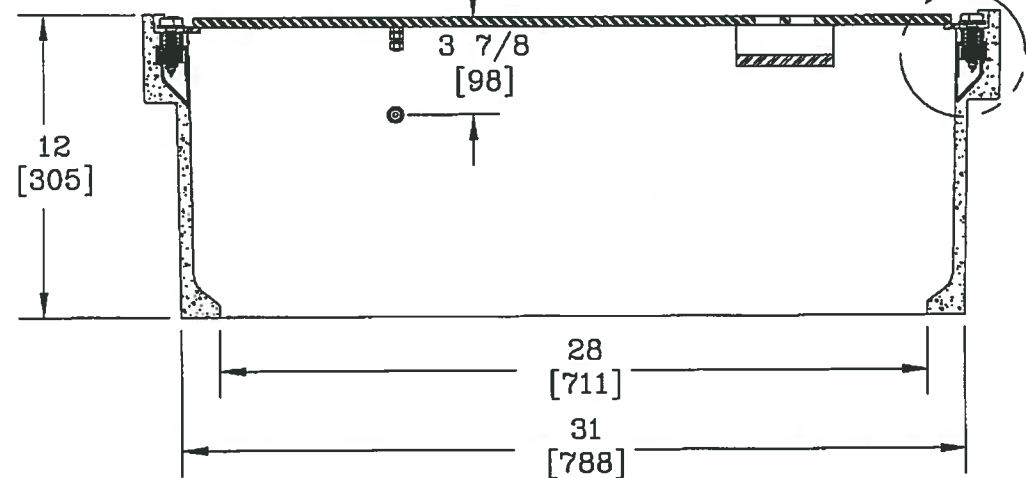
GROUNDING STUD: 1/4-20 UNC
X 3/4 [19] LONG S.S. HEX HEAD
BOLT W/ (2) 1/4-20 S.S. HEX NUTS
& (2) ø1/4 [6] FLAT WASHERS



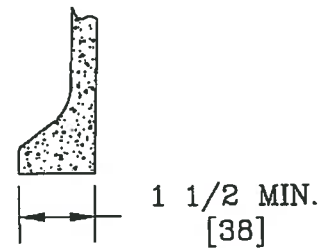
SEE BOLT
DOWN DETAIL

SEE GROUNDING
BOLT DETAIL

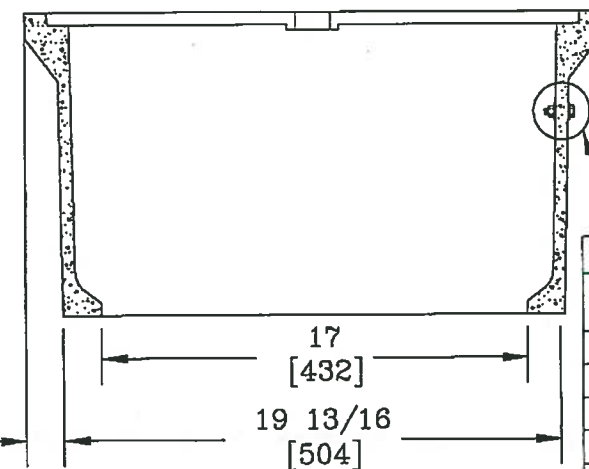
GROUNDING STUD DETAIL
NTS



SECTION A-A

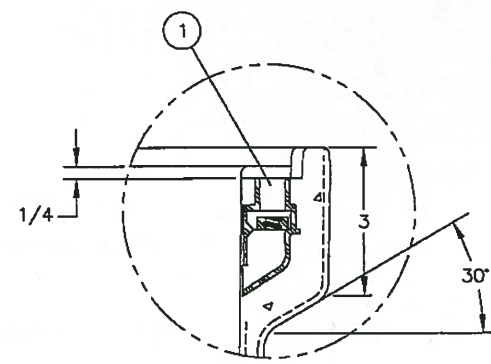
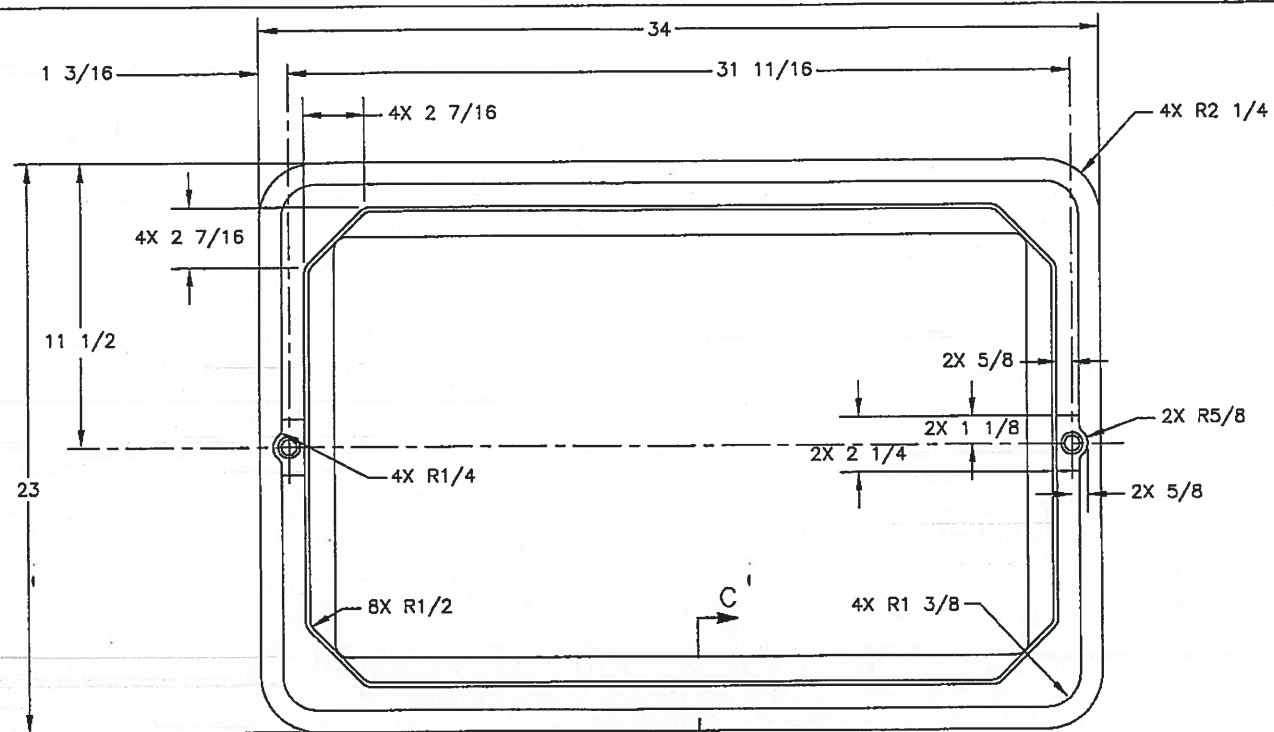


FOOT DETAIL
SCALE: HALF

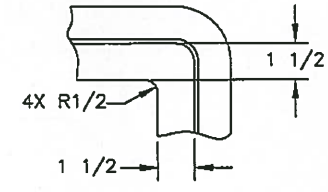


SECTION B-B

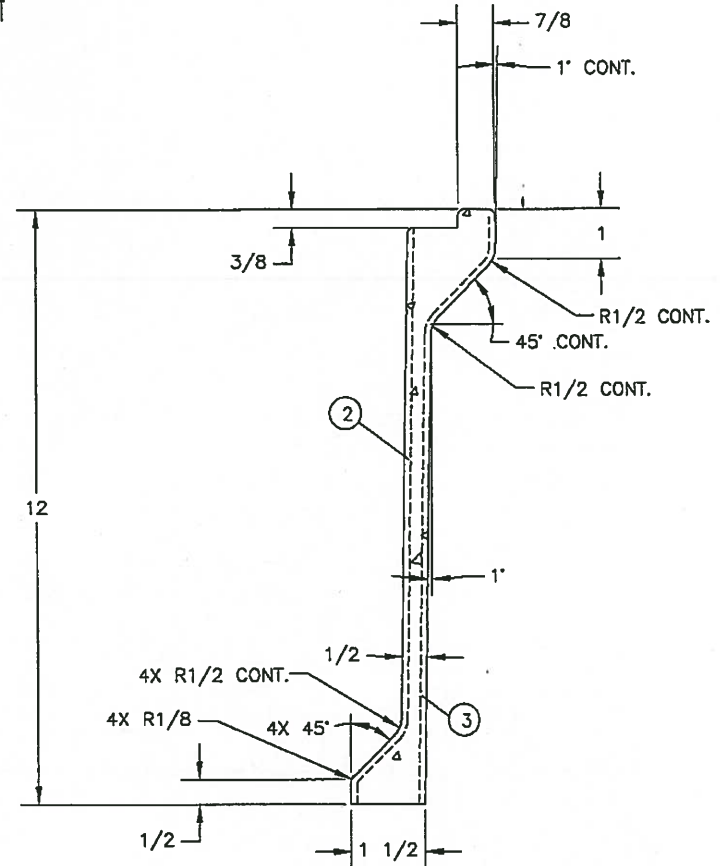
DIMENSIONS ARE IN INCHES OR MILLIMETERS IN BRACKETS UNLESS OTHERWISE NOTED.						
DRN	BY	DATE	WEIGHT		3621 INDUSTRIAL PARK DR. LENOIR CITY, TN 37771 800-346-3062 www.quazite.com	LOC
CHK	MBF	10/17/11	151# 68kg			LC
ENG			SCALE	DRAWING DESCRIPTION QUAZITE® 17 X 28 X 12 BOX & COVER ASSEMBLY	REV	
APR			NTS		M	
APR			SIZE		8/16	
PROJECT NUMBER				DRAWING NUMBER		
104334				PC1728Z500-2		
SHEET 2 OF 2						



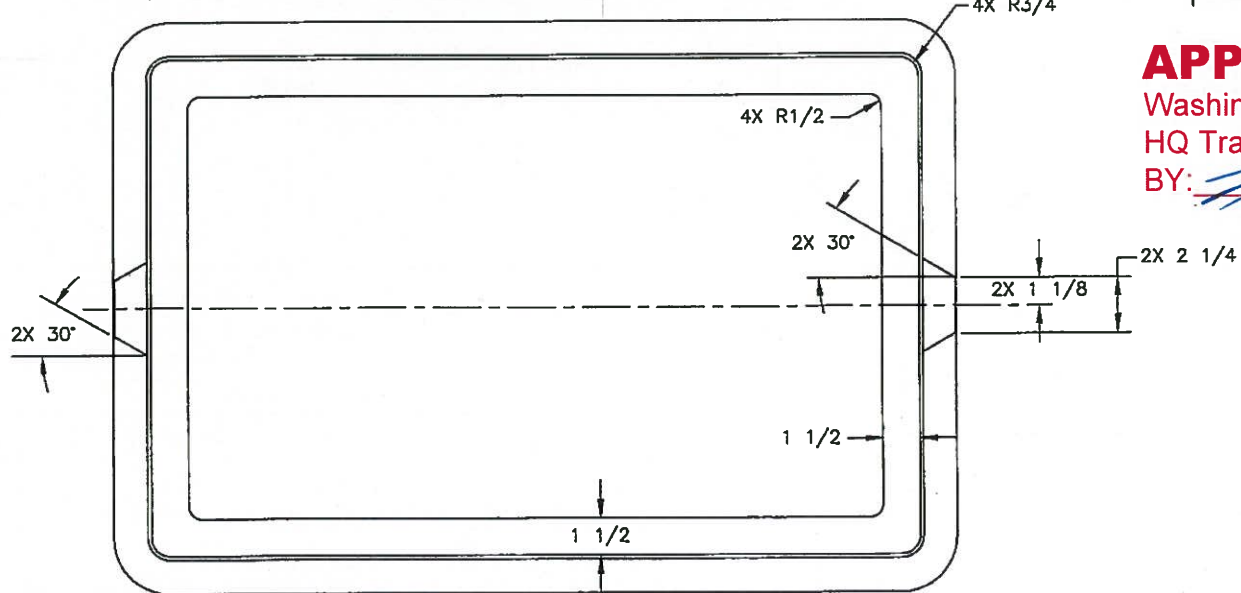
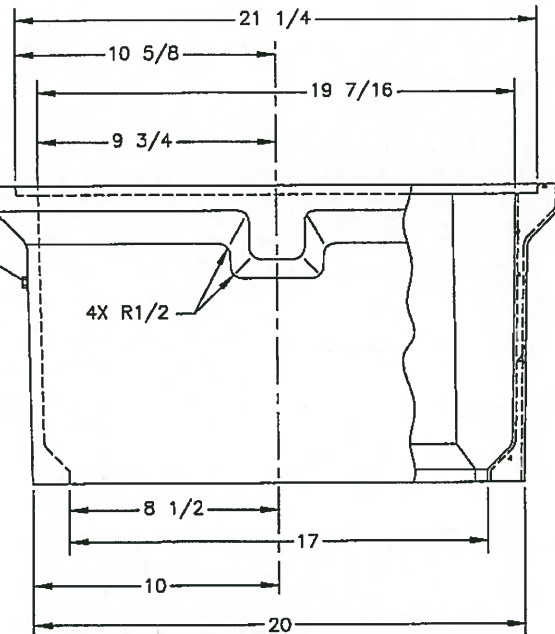
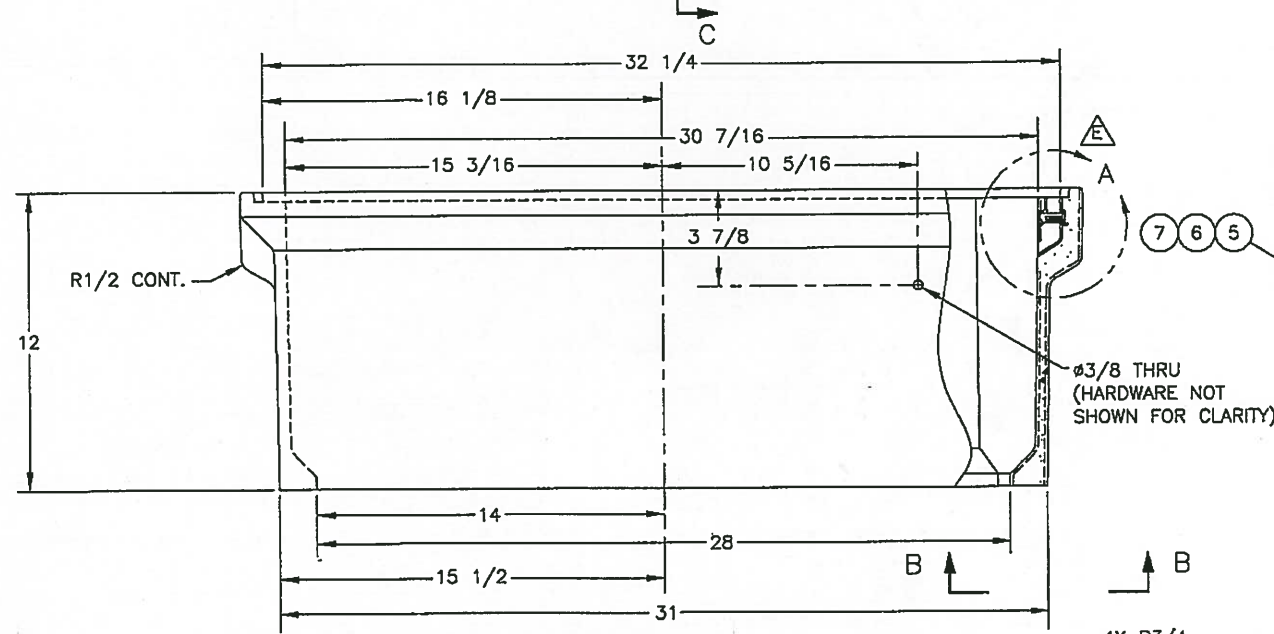
DETAIL A
SCALE: HALF
2 PLACES



VIEW B-B
SCALE: FULL
4 PLACES



SECTION C-C
SCALE: HALF



APPROVED
Washington State Department of Transportation
HQ Traffic Operations Office
BY: *[Signature]* DATE: 2/5/2018

**NOTE: BOX PART NUMBER STAMP WILL READ:
PC1728B500A**

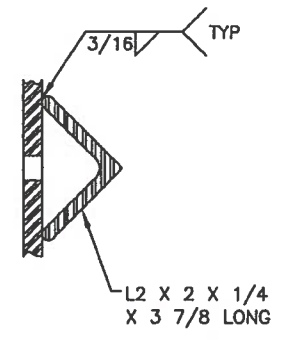
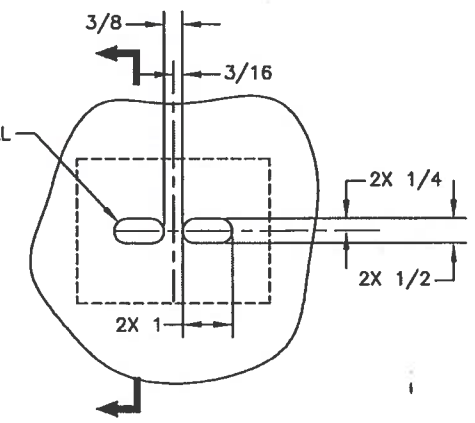
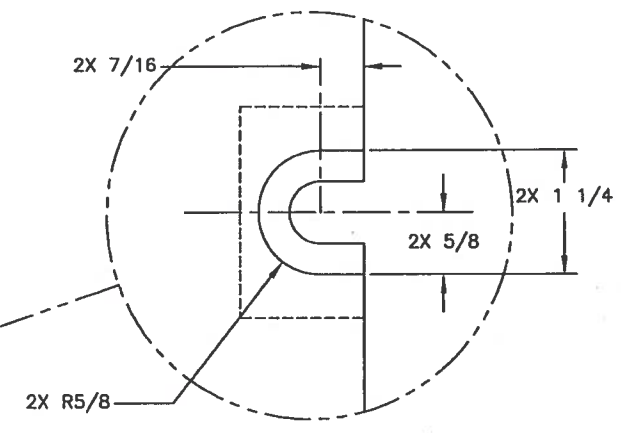
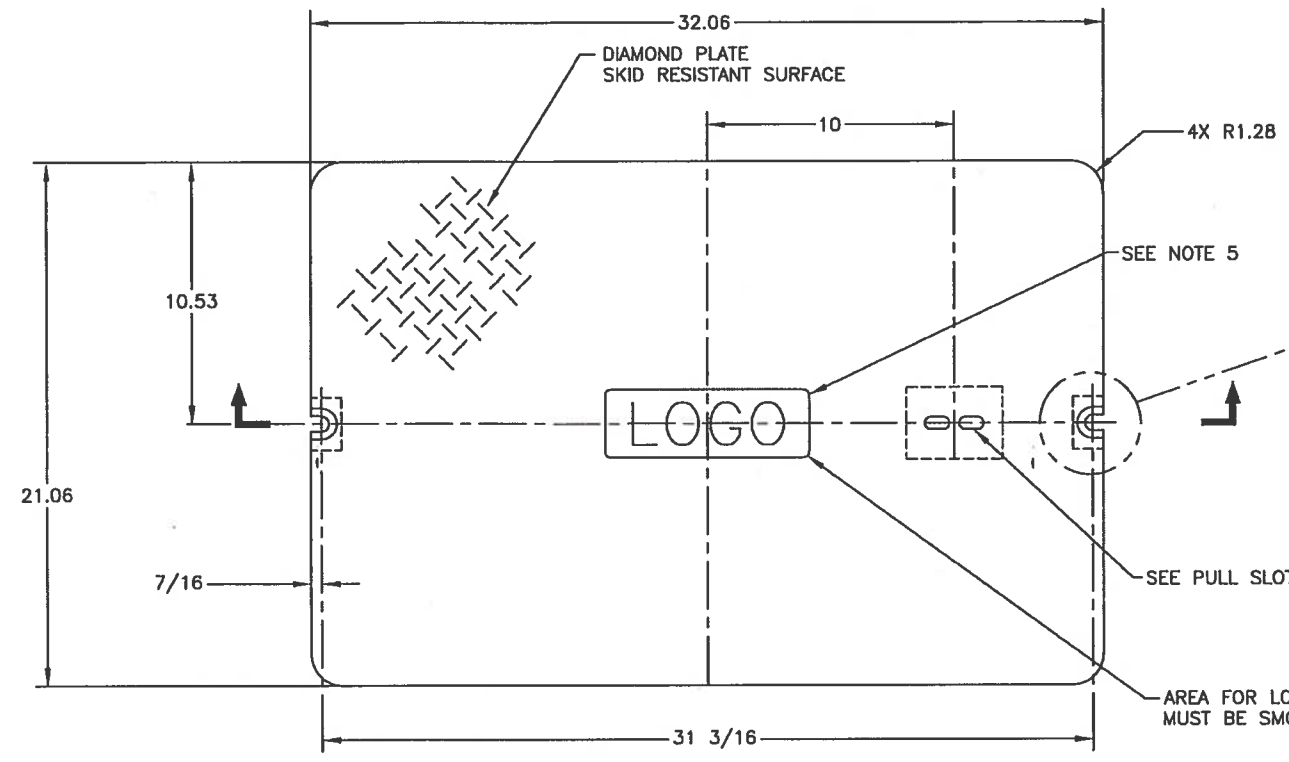


- NOTES:**
1. ALL FILLETS AND RADII TO BE 1/8 UNLESS OTHERWISE SPECIFIED.
 2. FOR EZ-NUT RETAINER TOOLING SEE CT96108-2
 3. RATED FOR TIER 15 APPLICATIONS

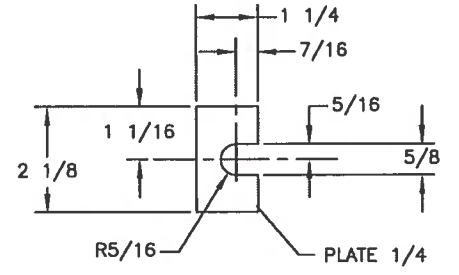
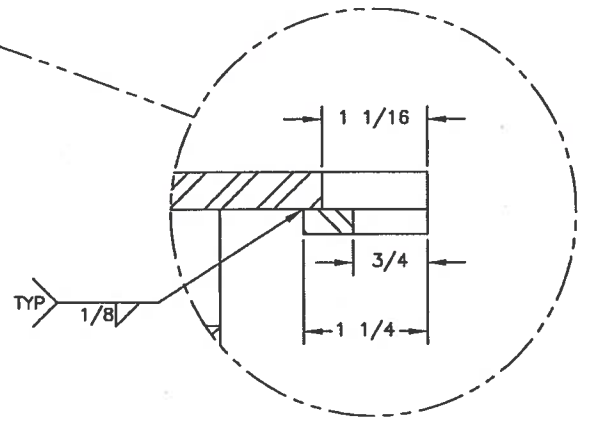
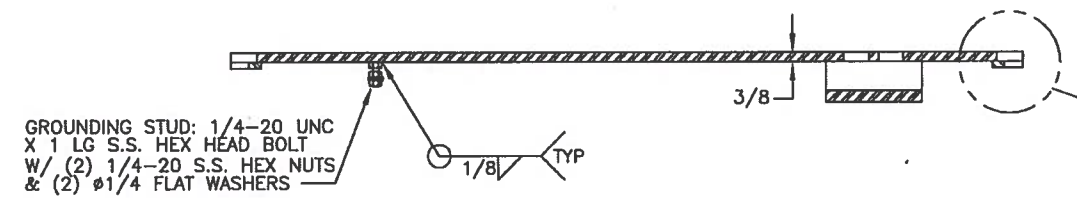
ITEM NO.	CAT.	PART NUMBER	DESCRIPTION	QUANTITY	UOM
1	L	COB0412	INSERT EZ-NUT 3/8-7 LAG ASSY (FULL)	2.00	EA
2	L	C092069	FG 10 BA 110.00 X 12.00	1.00	EA
3	L	C092072	FG 10 BA 100.00 X 12.00	1.00	EA
4	L	C099200	MIX-UT BOX 15.5 PCT RESIN	77.00	LB
5	L	C082246	BOLT SS 5/16-18 X 2 HEX	1.00	EA
6	L	C082341	NUT SS 5/16-18 UNC HEX	1.00	EA
7	L	C080270	WASHER SS 5/16ID X 3/4OD FLAT	1.00	EA

<p>APPROVED</p> <p>1. MAINT. _____</p> <p>2. PROD. _____</p> <p>3. QUALITY _____</p>		<p>STANDARD TOLERANCES</p> <p>ALL DIMENSIONS ARE IN INCHES UNLESS OTHERWISE SPECIFIED</p> <p>0.....±.100</p> <p>.00.....±.060</p> <p>.000.....±.010</p> <p>FRACTIONAL.....±1/16</p> <p>ANGULAR.....±.5°</p>		<p>3821 INDUSTRIAL PARK DR LENOIR CITY, TN 37771 800-348-3082 www.quazite.com</p>	
		<p>PROJECT NUMBER: 110611</p> <p>SHEET 1 OF 1</p>		<p>DRAWING DESCRIPTION: QUAZITE® BOX</p> <p>DRAWING NUMBER: PC1728B500-2-1</p>	

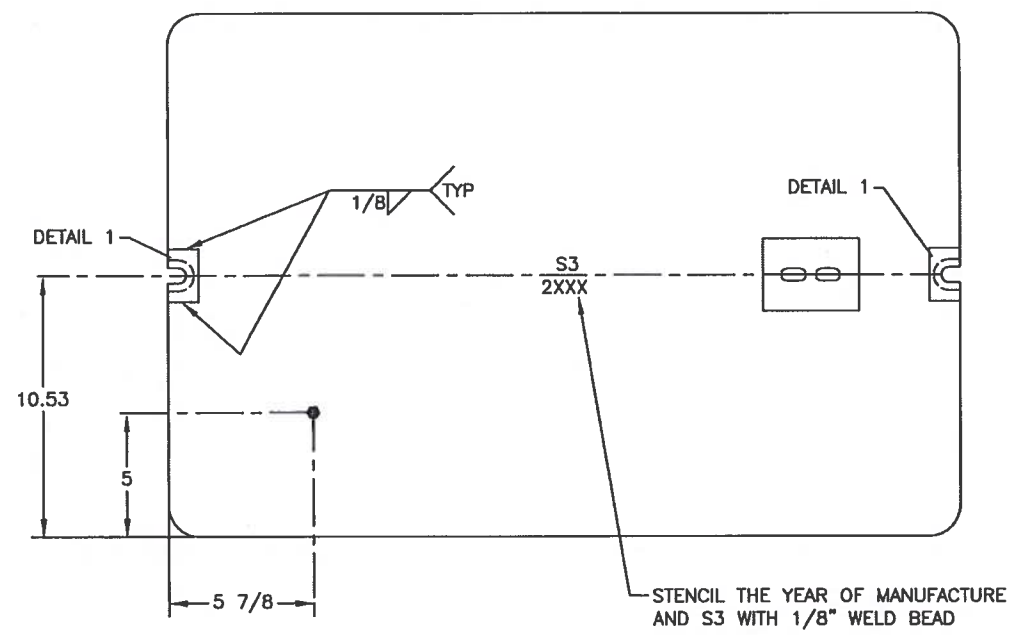
PART NUMBER	LOGO
PC1728S501U33	LT
PC1728S501U53	TEL
PC1728S501U23	ITS
PC1728S501U13	COMM
PC1728S501U43	TS



PULL SLOT DETAIL
SCALE: HALF



DETAIL 1
SCALE: HALF
2 REQUIRED



APPROVED
Washington State Department of Transportation
HQ Traffic Operations Office
BY: [Signature] DATE: 5/11/2017

- NOTES:
- ALL MATERIAL TO BE ASTM A36 OR EQUIVALENT
 - ALL WELD TO USE E-70 SERIES ELECTRODES; WELD PENETRATION NOT TO EXCEED 75% OF THINNER MATERIAL.
 - PAINTING:
3.1. DEBURR, CLEAN MILL SCALE & SLAG, AND DEGREASE
3.2. PAINT BLACK
 - THIS COVER IS RATED FOR A DESIGN LOAD OF 15,000 LBS.
 - LOGO TO BE 1" HIGH LETTERS USING 1/8" WELD BEAD.

APPROVED
1. MAINT. _____
2. PROD. _____
3. QUALITY _____

STANDARD TOLERANCES		HUBBELL		3021 INDUSTRIAL PARK DR LENDING CITY, TN 37771 800-346-3062 www.quezite.com	
ALL DIMENSIONS ARE IN INCHES UNLESS OTHERWISE SPECIFIED					
.0.....	±.100	DRN	RS	DATE	5/18/15
.00.....	±.050	CHK	JLS	SCALE	5/18/15
.000.....	±.010	APR		PROJECT NUMBER	
FRACTIONAL.....	±1/16	APR		SHEET	1 OF 1
ANGULAR.....	±.5			DRAWING DESCRIPTION	QUAZITE [®] STEEL COVER
PROPRIETARY INFORMATION					
THIS DRAWING CONVEYS PROPRIETARY AND CONFIDENTIAL INFORMATION, AND IS LOANED BY HUBBELL WITH THE UNDERSTANDING THAT IT WILL NOT BE COPIED OR REPRODUCED IN ANY MANNER, AND/OR BE USED FOR ANY PURPOSE OTHER THAN THE MAINTENANCE, REPAIR, OR REPLACEMENT, UNLESS EXPRESSLY AUTHORIZED, AND THAT IT BE RETURNED ON DEMAND.					
				DRAWING NUMBER	PC1728S501-2-1