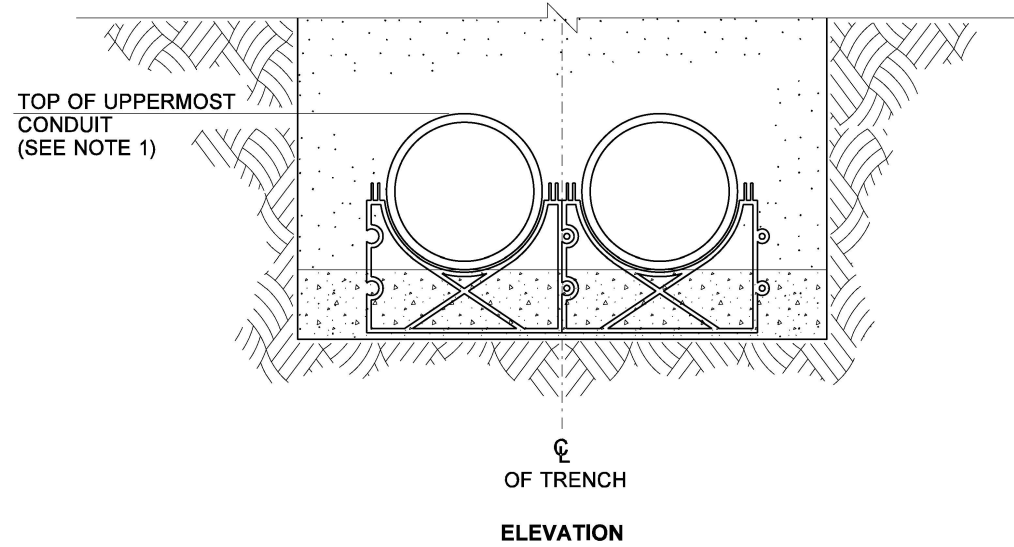
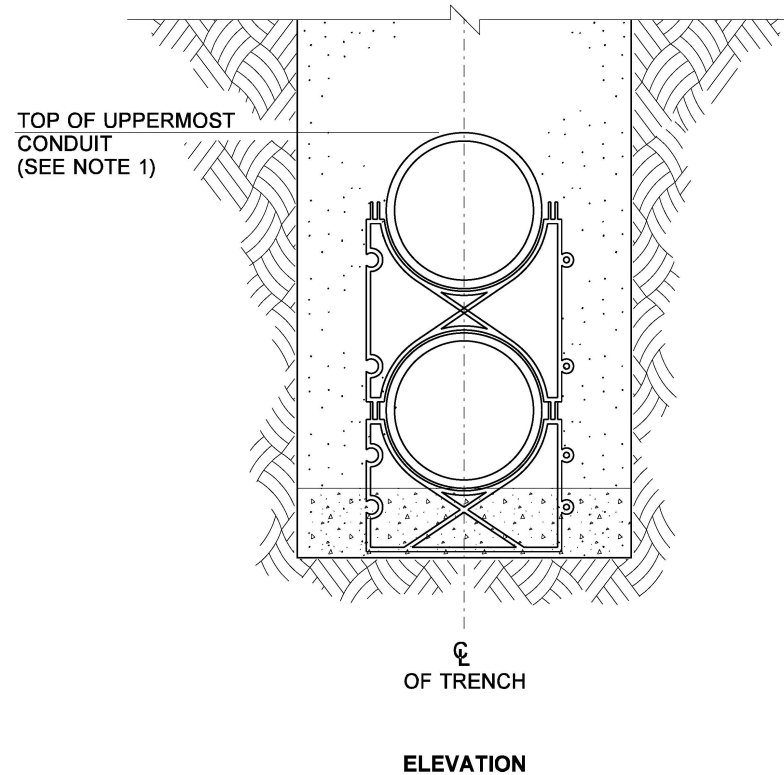


**BASIC CONTROLLED DENSITY FILL (CDF) TRENCH DETAIL**



**MULTIPLE CONDUIT LAYOUT - STANDARD (MEASUREMENTS NOT SHOWN)**



**MULTIPLE CONDUIT LAYOUT - ALTERNATE (MEASUREMENTS NOT SHOWN; SEE NOTE 7)**

**NOTES**

1. All depth measurements are referenced from the top of the uppermost conduit, regardless of the number and configuration of conduits.
2. See contract plans for size and number of conduits.
3. Conduit spacers shall be snap together type meeting conduit manufacturer's specifications. Base spacers shall be used for the bottom row of conduits, and positioned so that conduits rest on the trench bedding. Spacer interval shall be in accordance with conduit manufacturer's requirements.
4. Controlled Density Fill (CDF) shall meet the requirements of **Standard Specification Section 2-09.3(1)E**.
5. Backfill above CDF shall be in accordance with **Standard Specification Section 2-09.3(1)E**.
6. Detectable warning tape shall meet the requirements of **Standard Specification Section 9-29.1(6)** and placed in accordance with **Standard Specification Section 8-20.3(5)A1**.
7. Conduits shall normally be laid side by side in the trench unless conditions limit overall trench width.



Aug 30, 2022

**CONTROLLED DENSITY FILL ENCASED CONDUIT STANDARD PLAN J-5.50-00**

SHEET 1 OF 1 SHEET

APPROVED FOR PUBLICATION

*Mark Gaines*  
 Mark Gaines (Aug 30, 2022 11:15 PDT)

Aug 30, 2022

STATE DESIGN ENGINEER

