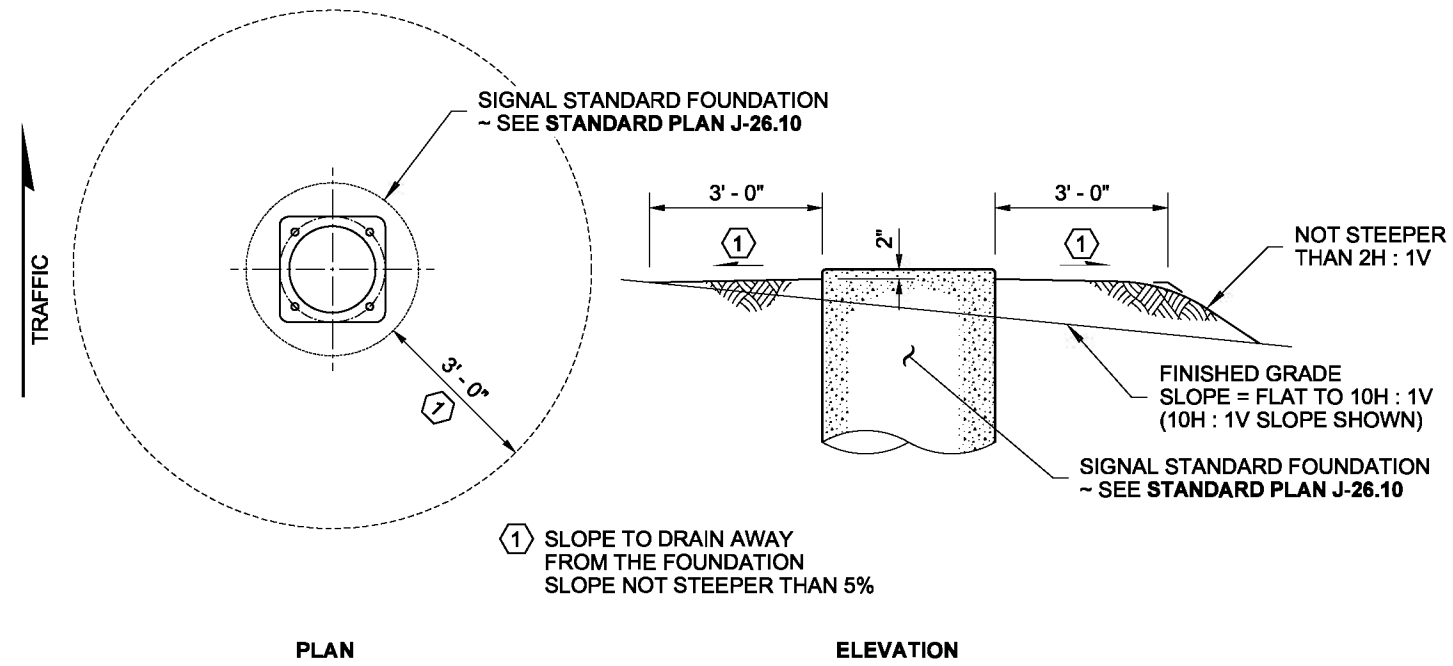


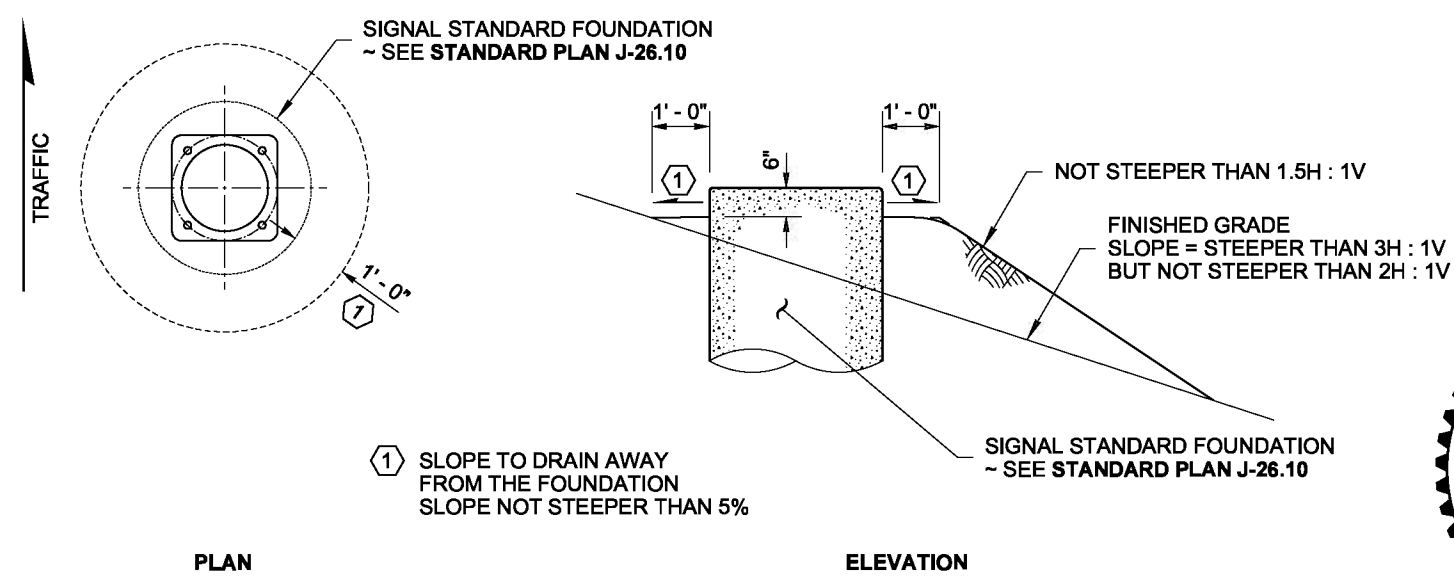
NOTE
 * = 2'-0" FOR 3'-0" DIAM. FOUNDATION
 2'-6" FOR 4'-0" DIAM. FOUNDATION
 2'-6" FOR 3'-0" SQUARE FOUNDATION

① SLOPE TO DRAIN AWAY FROM THE FOUNDATION SLOPE NOT STEEPER THAN 5%

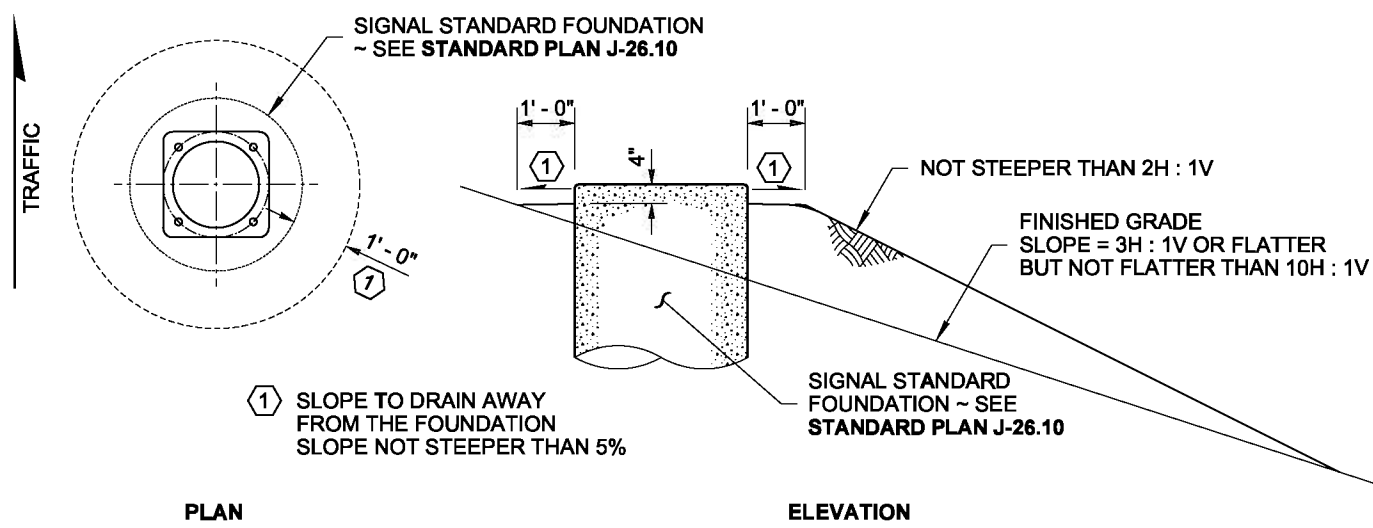
FOUNDATION IN OR NEAR SIDEWALK CASE A



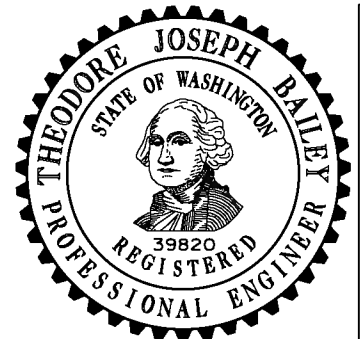
EXISTING GRADE OR FILL SLOPE = FLAT TO 10H : 1V CASE B



EXISTING GRADE OR FILL SLOPE = > 3H : 1V TO 2H : 1V CASE D



EXISTING GRADE OR FILL SLOPE = 10H : 1V TO ≤ 3H : 1V CASE C



NOTE: THIS PLAN IS NOT A LEGAL ENGINEERING DOCUMENT UNTIL IT IS REPRODUCED IN FULL AND THE ORIGINAL IS SIGNED BY THE ENGINEER AND APPROVED FOR PUBLICATION. IT IS NOT TO BE FILED AT THE WASHINGTON STATE DEPARTMENT OF TRANSPORTATION. A COPY MAY BE OBTAINED UPON REQUEST.

SIGNAL STANDARD FOUNDATION PLACEMENTS
STANDARD PLAN J-26.15-01

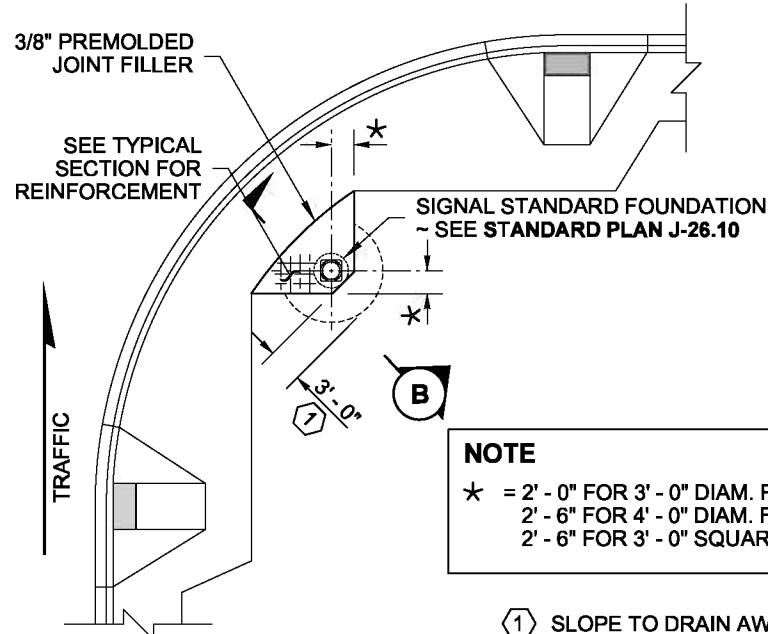
SHEET 1 OF 3 SHEETS

APPROVED FOR PUBLICATION

Pasco Bakotich III 05/17/12
 STATE DESIGN ENGINEER DATE



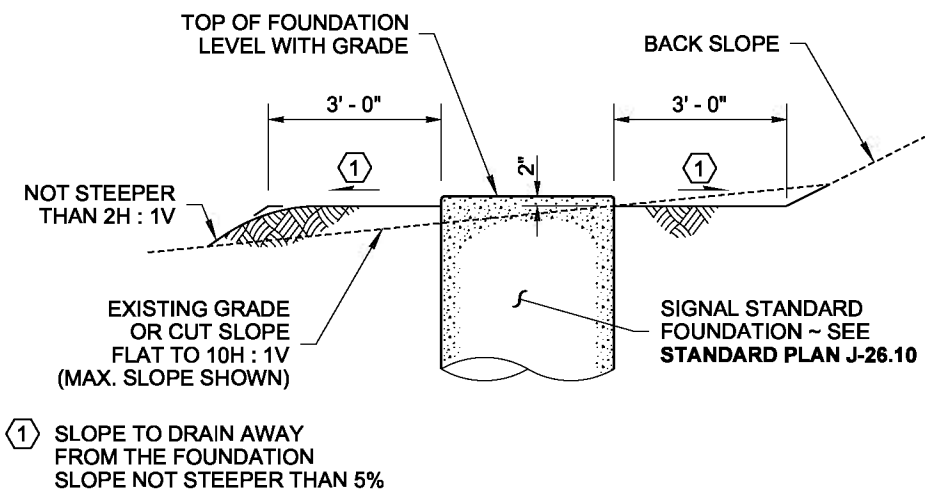
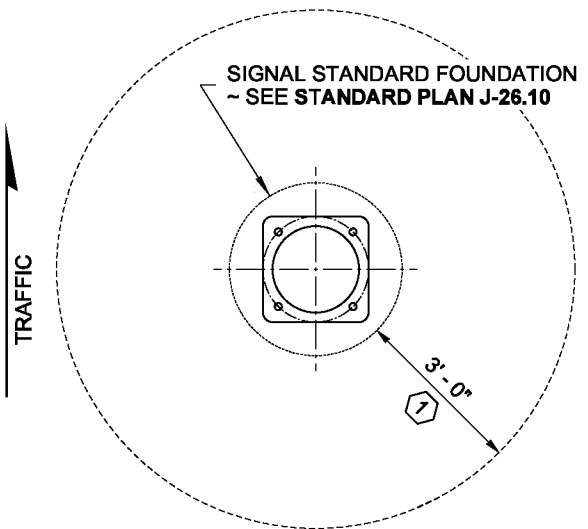
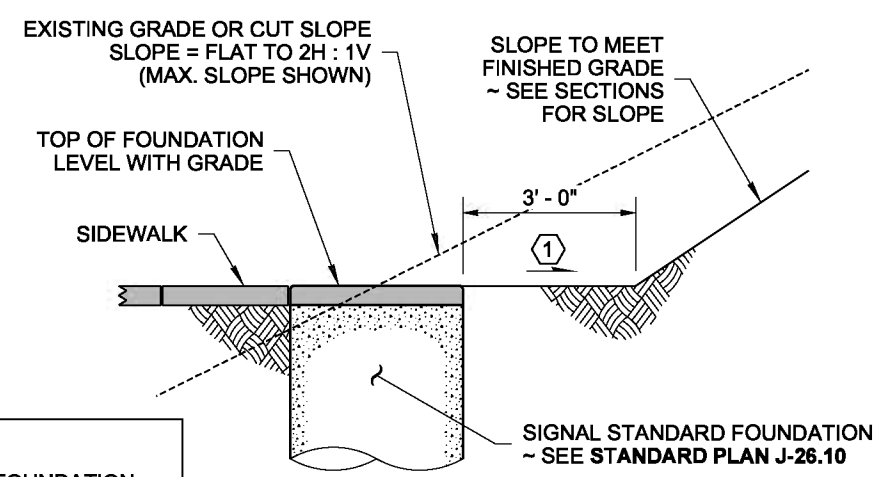
DRAWN BY: LISA CYFORD



NOTE
 * = 2'-0" FOR 3'-0" DIAM. FOUNDATION
 2'-6" FOR 4'-0" DIAM. FOUNDATION
 2'-6" FOR 3'-0" SQUARE FOUNDATION

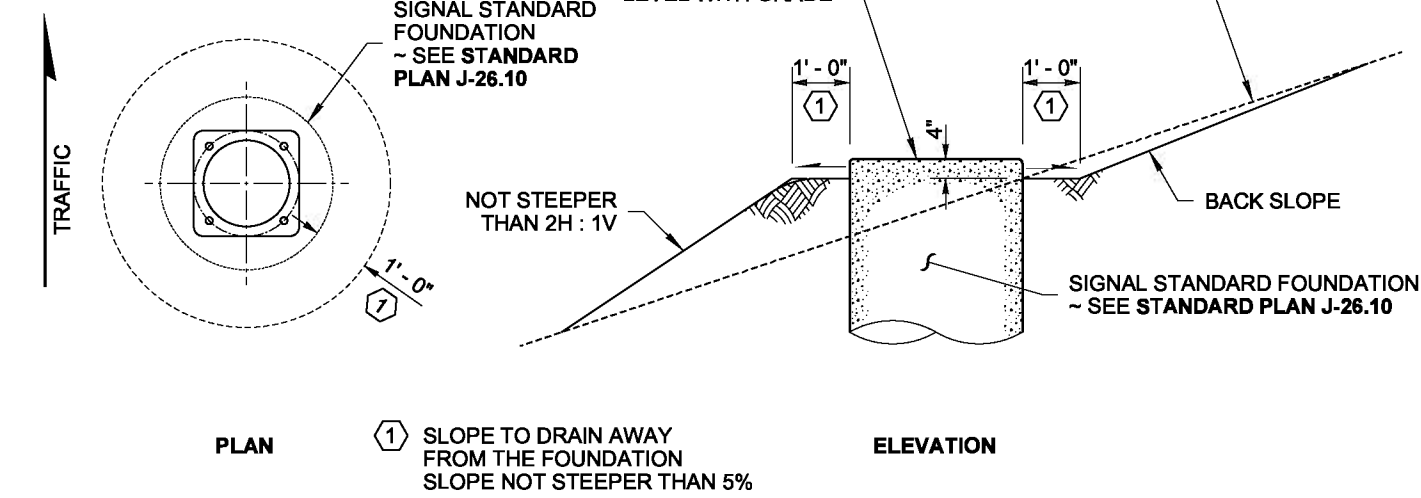
① SLOPE TO DRAIN AWAY FROM THE FOUNDATION
 SLOPE NOT STEEPER THAN 5%

(SHOWN REDUCED)
PLAN
FOUNDATION IN OR NEAR SIDEWALK
CASE E
SECTION B

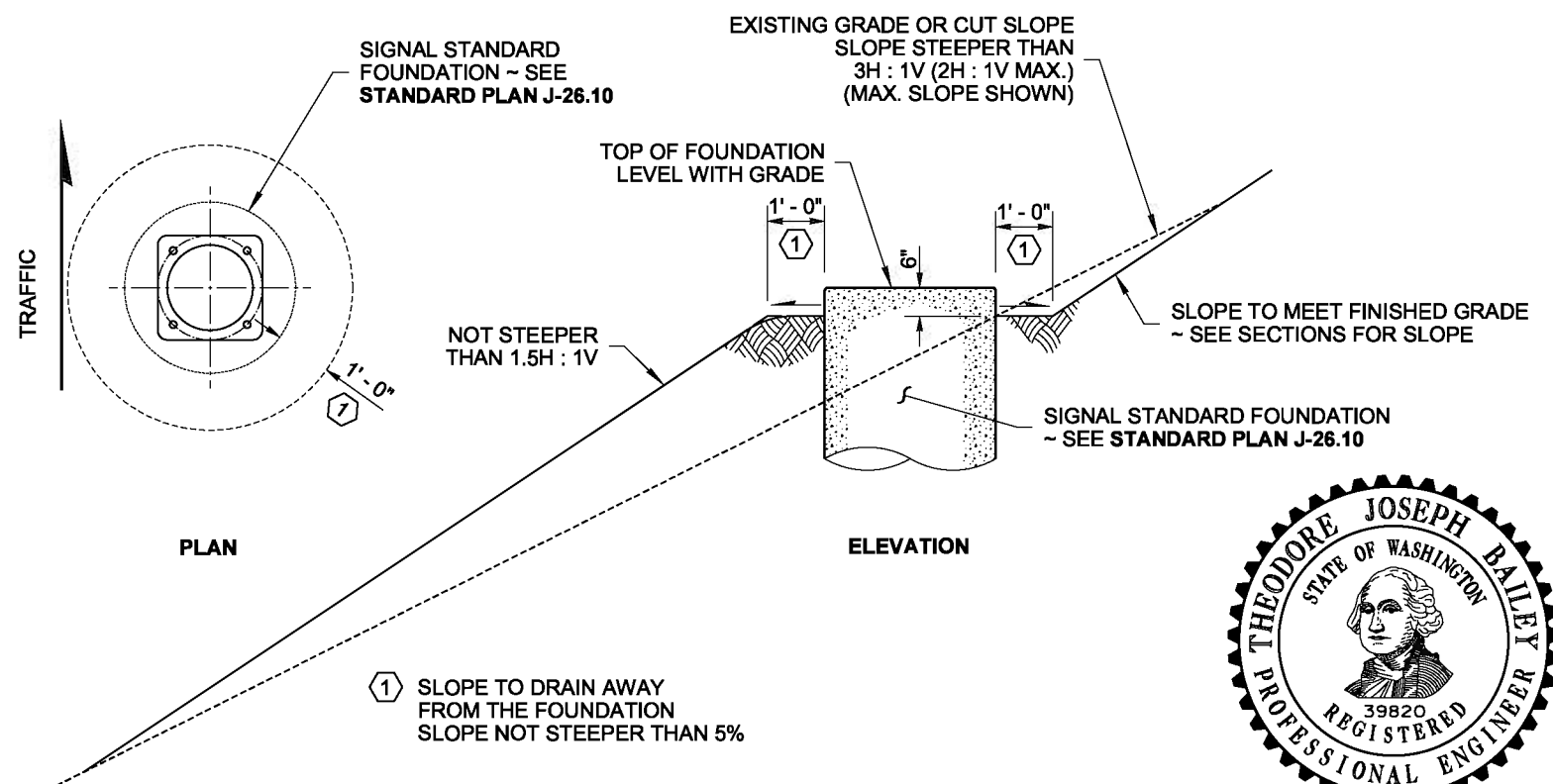


EXISTING GRADE OR CUT SLOPE FLAT TO 10H : 1V
CASE F

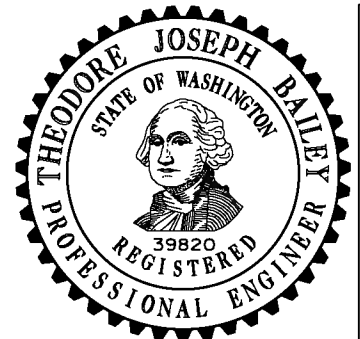
DRAWN BY: LISA CYFORD



EXISTING GRADE OR CUT SLOPE 10H : 1V TO ≤ 3H : 1V
CASE G



EXISTING GRADE OR CUT SLOPE STEEPER THAN 3H : 1V (2H : 1V MAX.)
CASE H



NOTE: THIS PLAN IS NOT A LEGAL ENGINEERING DOCUMENT UNTIL ELECTRONICALLY SIGNED BY THE ENGINEER AND APPROVED FOR PUBLICATION. IT MUST BE FILED AT THE WASHINGTON STATE DEPARTMENT OF TRANSPORTATION. A COPY MAY BE OBTAINED UPON REQUEST.

SIGNAL STANDARD FOUNDATION PLACEMENTS
STANDARD PLAN J-26.15-01

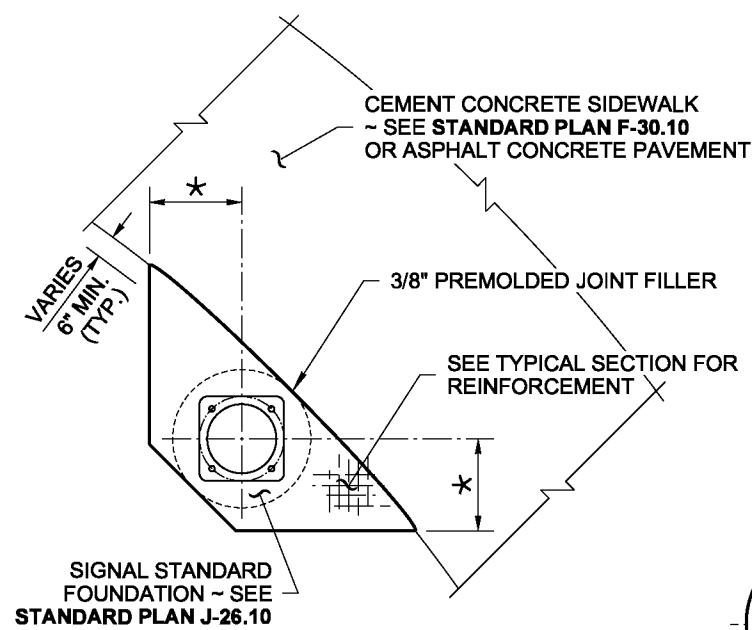
SHEET 2 OF 3 SHEETS

APPROVED FOR PUBLICATION

Pasco Bakotich III 05/17/12
 STATE DESIGN ENGINEER DATE

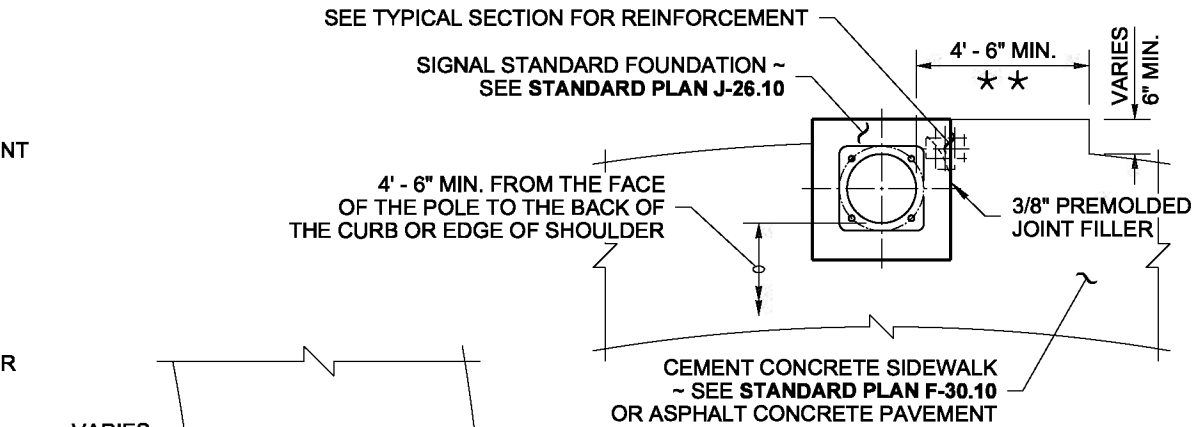
Washington State Department of Transportation

DRAWN BY: LISA CYFORD



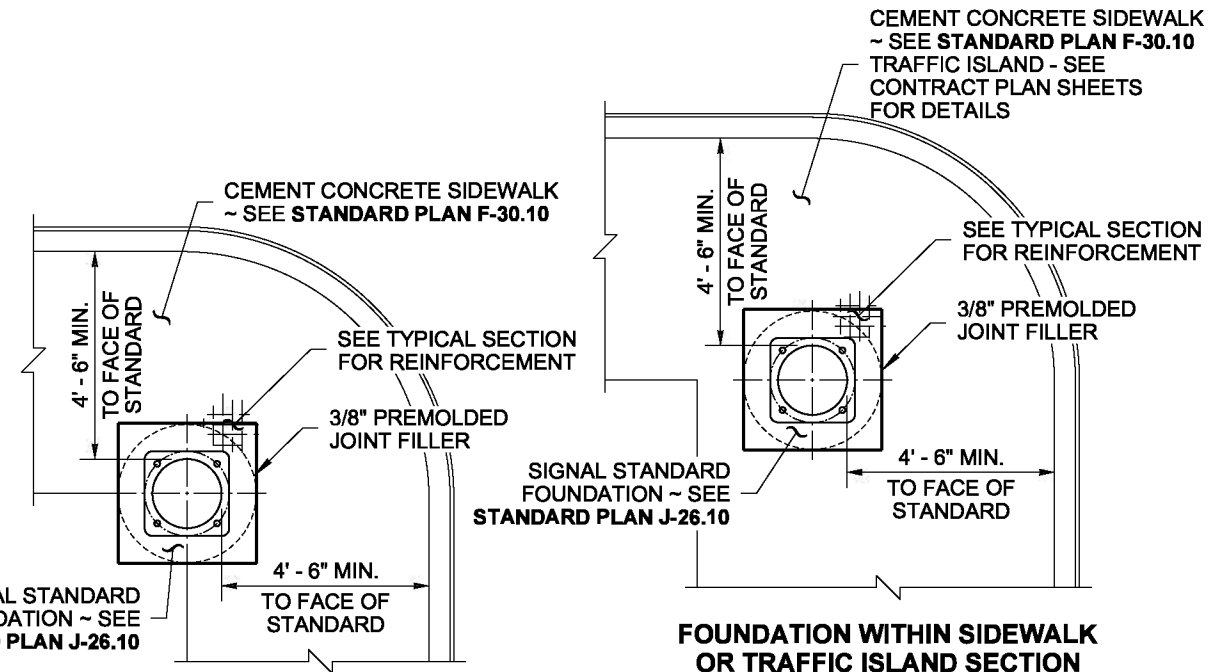
DUAL PEDESTRIAN PUSH BUTTON

NOTE
 * = 2' - 0" FOR 3' - 0" DIAM. FOUNDATION
 2' - 6" FOR 4' - 0" DIAM. FOUNDATION
 2' - 6" FOR 3' - 0" SQUARE FOUNDATION



FOUNDATION PARTIALLY WITHIN SIDEWALK SECTION

NOTE
 * * = APPLIES TO THE SIDE OF THE FOUNDATION WHEN PEDESTRIAN PUSH BUTTON IS TO BE INSTALLED.

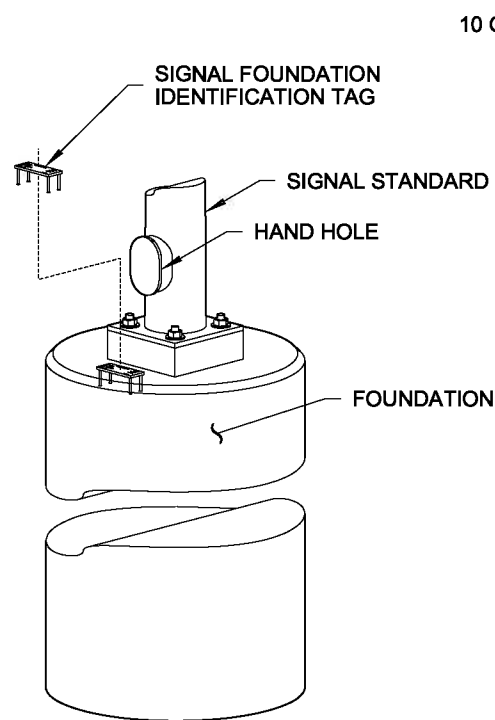


FOUNDATION WITHIN SIDEWALK OR TRAFFIC ISLAND SECTION

NOTE
 REFER TO CONTRACT DOCUMENTS FOR PROJECT SPECIFIC INTERSECTION LAYOUTS & TRAFFIC ISLAND MATERIAL TYPE

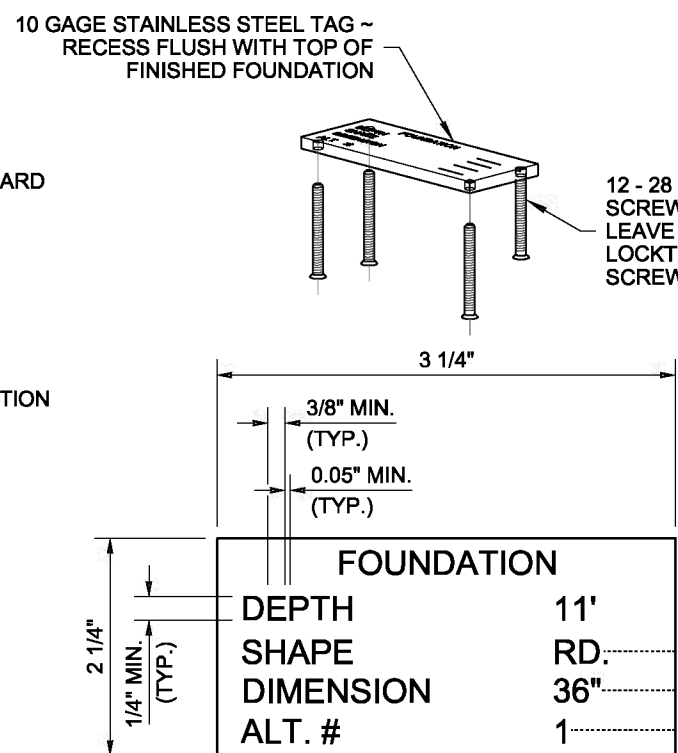
FOUNDATION PARTIALLY WITHIN SIDEWALK SECTION

FOUNDATION OUTSIDE THE SIDEWALK SECTION



OBLIQUE VIEW

REINFORCING AND ANCHOR BOLTS NOT SHOWN FOR CLARITY (GROUT PAD OPTION SHOWN)



SIGNAL FOUNDATION IDENTIFICATION TAG DETAIL

TEXT SHALL BE ENGRAVED 0.014" DEEP

12 - 28 (NF) x 2" LONG STAINLESS STEEL SCREW ~ DRILL AND TAP FROM BOTTOM, LEAVE SCREW FLUSH WITH TOP. APPLY LOCKTITE TO SCREW THREADS TO BIND SCREWS AND I.D. TAG TOGETHER

WWF 4 x 4 - W 2.9 x 2.9 AT CENTER OF EXTENDED SIDE WALK AT SIGNAL STANDARD FOUNDATION

APPLY GROUT EVEN WITH THE BOTTOM OF THE ANCHOR PLATE AFTER PLUMBING THE STANDARD
 PROVIDE 3/8" DIAMETER DRAIN TUBE IN THE GROUT PAD

GROUNDING CONDUCTOR NON-INSULATED #4 AWG STRANDED COPPER ~ PROVIDE 3' MIN. SLACK (ROUTE CONDUCTOR TO GROUNDING STUD)

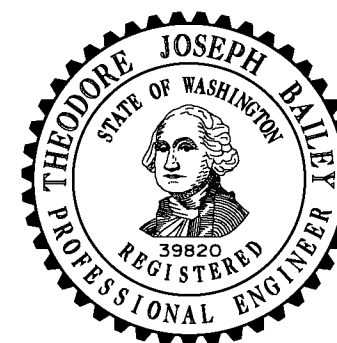
CLAMP CONDUCTOR TO STEEL REINFORCING WITH LISTED CONNECTOR SUITABLE FOR USE EMBEDDED IN CONCRETE

SIGNAL STANDARD FOUNDATION ~ SEE STANDARD PLAN J-26.10

NOTE

FOUNDATION REINFORCING ONLY PARTIALLY SHOWN FOR CLARITY. ~ SEE STANDARD PLAN J-26.10 FOR DETAILS NOT SHOWN.

TYPICAL SECTION



NOTE: THIS PLAN IS NOT A LEGAL ENGINEERING DOCUMENT UNTIL ELECTRONICALLY SIGNED BY THE ENGINEER AND APPROVED FOR PUBLICATION. IT IS TO BE FILED AT THE WASHINGTON STATE DEPARTMENT OF TRANSPORTATION. A COPY MAY BE OBTAINED UPON REQUEST.

SIGNAL STANDARD FOUNDATION PLACEMENTS
STANDARD PLAN J-26.15-01

SHEET 3 OF 3 SHEETS

APPROVED FOR PUBLICATION

Pasco Bakotich III 05/17/12

STATE DESIGN ENGINEER DATE

Washington State Department of Transportation