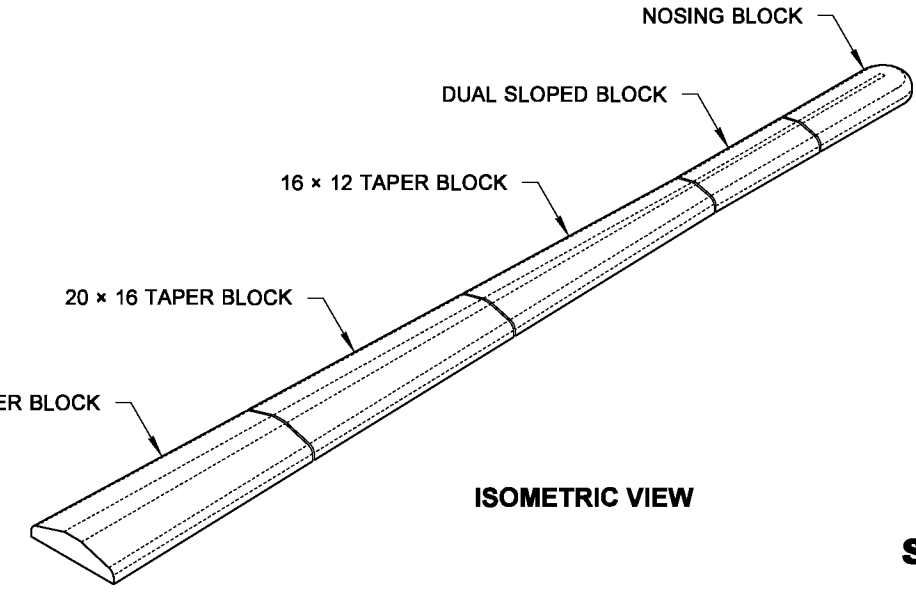
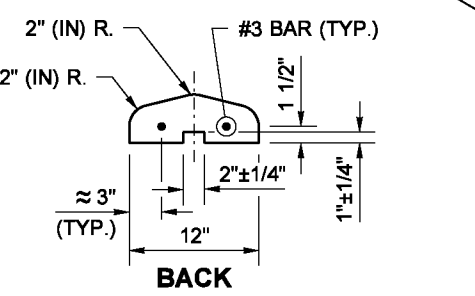
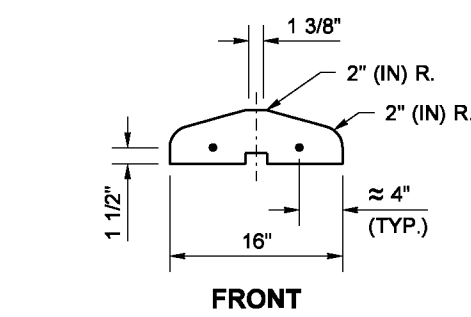
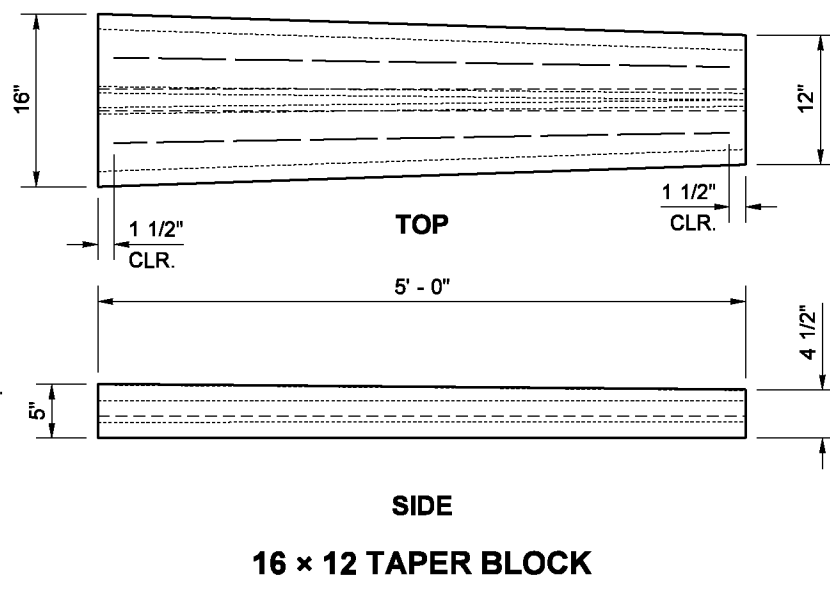
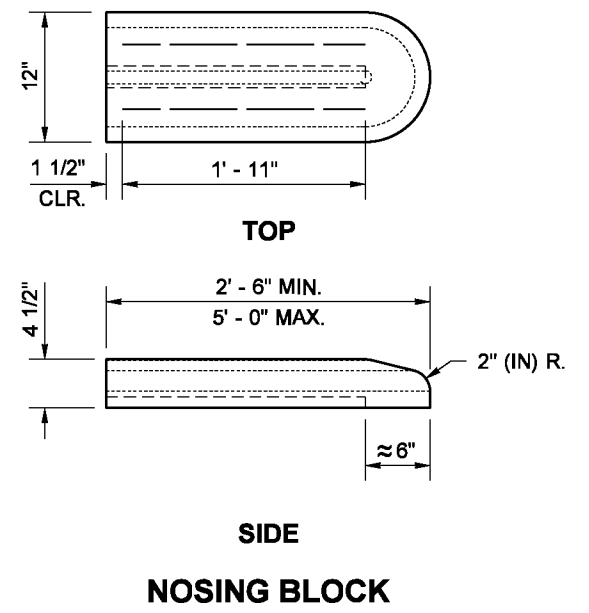
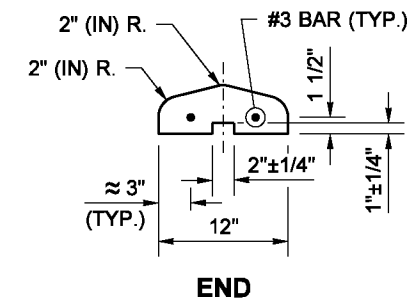
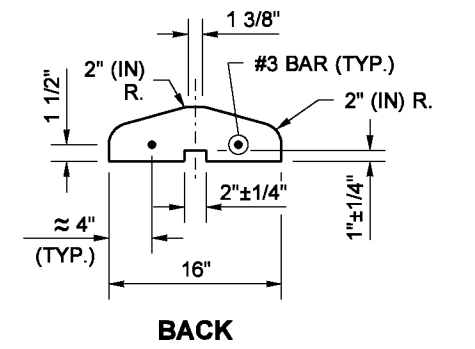
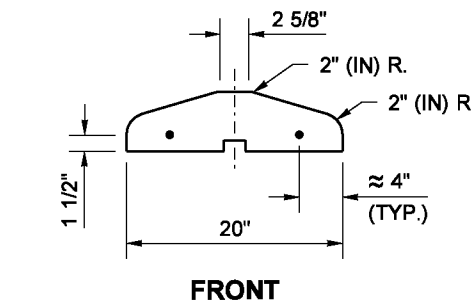
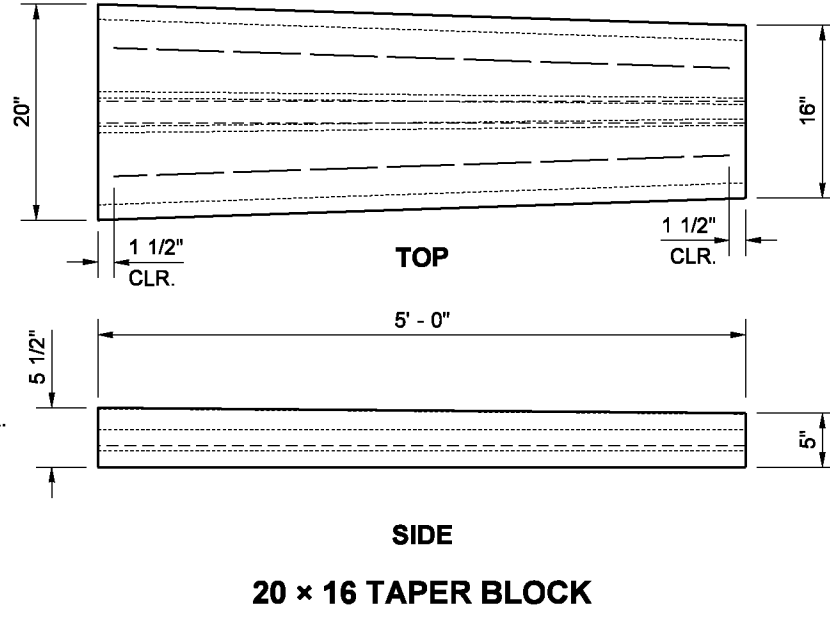
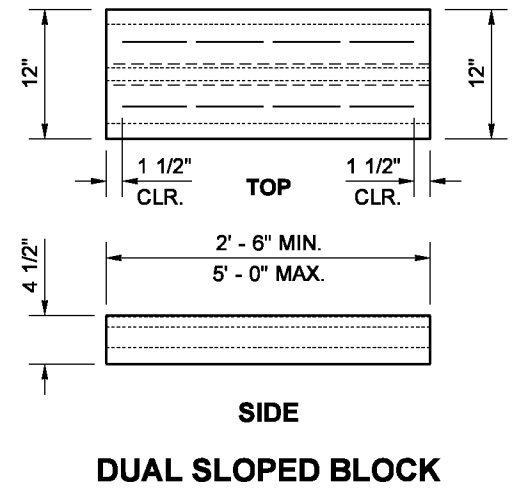
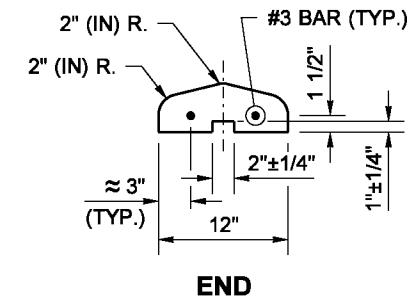


**NOTES**

1. The dual faced curb may be constructed by using two precast sloped mountable curbs (longitudinal halves) so long as the installation is consistent with the dimensions shown in the plan.
2. Reinforcing steel shall conform to **Standard Specification 9-07**.



**PRECAST DUAL FACED SLOPED MOUNTABLE CURB STANDARD PLAN F-10.64-03**

SHEET 1 OF 1 SHEET

APPROVED FOR PUBLICATION