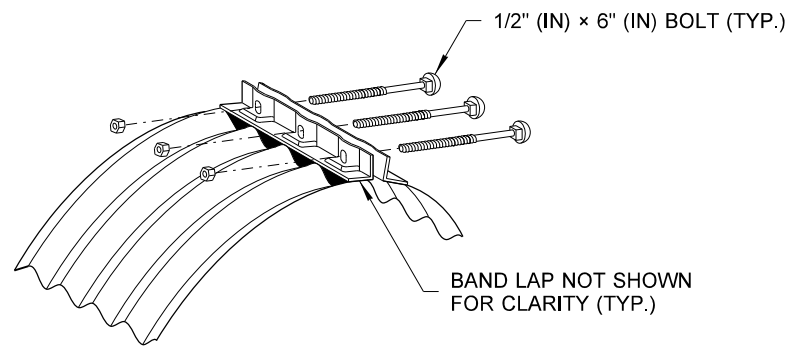
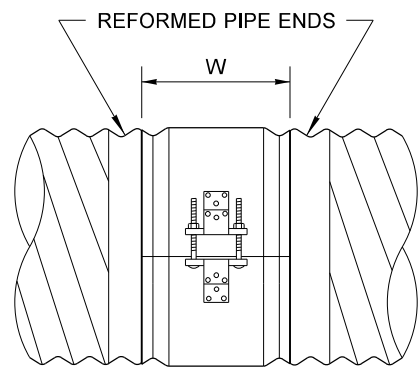


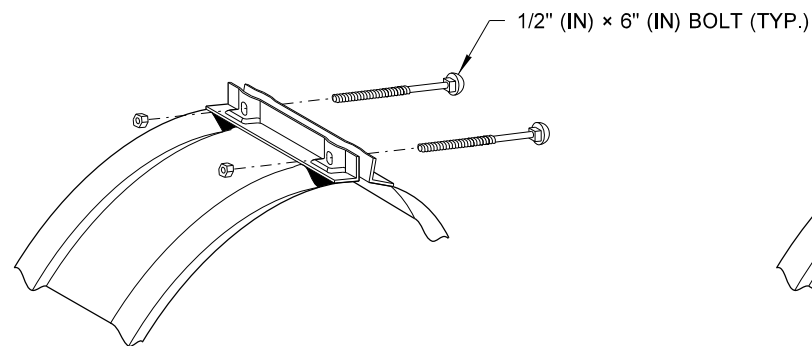
TYPE D
ANNULAR CORRUGATED BAND



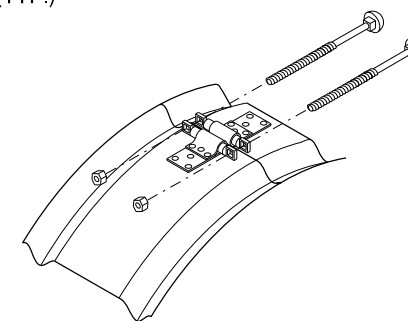
TYPE D
BAND ANGLE CONNECTOR DETAIL



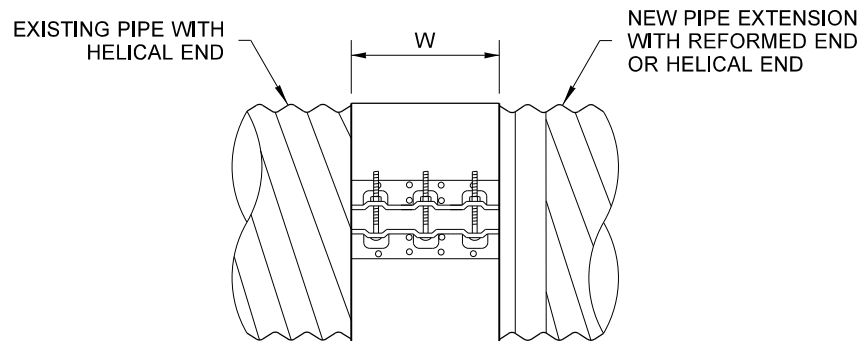
TYPE F
SEMI-CORRUGATED BAND



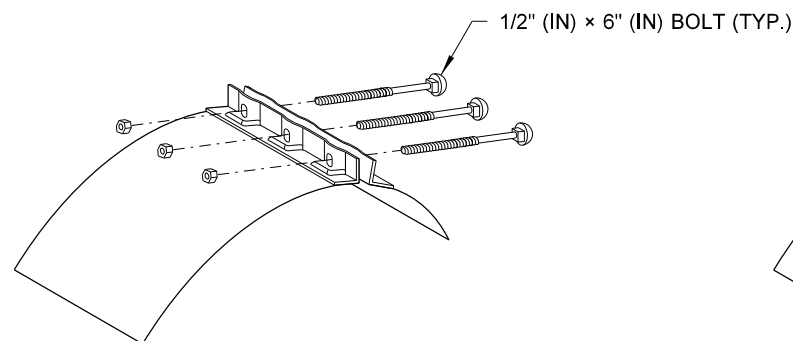
TYPE F
BAND ANGLE CONNECTOR DETAIL



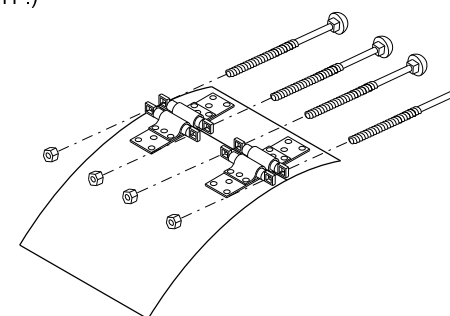
TYPE F
BAR & STRAP CONNECTOR DETAIL



TYPE K
FLAT BAND OR DIMPLE BAND
(FOR PIPE EXTENSIONS ONLY)



TYPE K
BAND ANGLE CONNECTOR DETAIL



TYPE K
DOUBLE BAR & STRAP CONNECTOR DETAIL

COUPLING BAND DIMENSION TABLE (ALL DIMENSIONS ARE IN INCHES)								
BAND TYPE	CORRUGATION PITCH × DEPTH	PIPE DIAM.	MIN. W	GASKET TYPE				
STEEL	2 2/3 × 1/2 OR 3 × 1 REFORMED TO 2 2/3 × 1/2	12 ~ 84	12	SLEEVE				
					3 × 1 REFORMED TO 2 2/3 × 1/2	90 ~ 144	24	SLEEVE
	2 2/3 × 1/2 OR 3 × 1 REFORMED TO 2 2/3 × 1/2	12 ~ 84	10 1/2	SLEEVE OR O-RING				
					2 2/3 × 1/2	12 ~ 48	12	SLEEVE
	* 3 × 1	54 ~ 84	24	SLEEVE				
		* 3 × 1	54 ~ 144		24	SLEEVE		
ALUMINUM	2 2/3 × 1/2 OR 3 × 1 REFORMED TO 2 2/3 × 1/2		12 ~ 72	12	SLEEVE			
		3 × 1				36 ~ 60	12	SLEEVE
						REFORMED TO 2 2/3 × 1/2	66 ~ 108	
	2 2/3 × 1/2	12 ~ 48	10 1/2	SLEEVE OR O-RING				
		2 2/3 × 1/2	12 ~ 48		12	SLEEVE		
	* 3 × 1		54 ~ 84	24	SLEEVE			
* 3 × 1		54 ~ 96	24	SLEEVE				

* PIPE ARCH ONLY



**COUPLING BANDS FOR
CORRUGATED METAL PIPE**
STANDARD PLAN B-60.40-01

SHEET 1 OF 1 SHEET

APPROVED FOR PUBLICATION