



NOTES:

1. CONCRETE $f_c = 4,000$ PSI
2. WWR: ASTM A1064 $f_y = 65,000$ PSI
3. REINFORCING: ASTM A706 $f_y = 60,000$ PSI
4. BOLTS: ASTM A307

BILL OF MATERIALS

ITEM	QUANTITY	DESCRIPTION
A	.25 YDS	H2 PRECAST 5,000 MIX
B	17.9 LBS	REBAR - #5
C	12 SQ FT	WWR - 4 x 4 - W5
D	1	HATCH - ej PRODUCT # 00826621B02
E	22	$\frac{3}{8}$ "-16 x 8" ASTM A-307 BOLTS

REINFORCEMENT CUT LIST

ITEM #	QTY.	MATERIAL	DESCRIPTION
1	1	REBAR - #5	HOOP (SEE DETAIL)
2	1	REBAR - #5	HOOP (SEE DETAIL)
3	2	MESH	WWR 4 X 4 - W5/W5
4	1	MESH	WWR 4 X 4 - W5/W5

PRODUCT WEIGHT

PRODUCT	WEIGHT
WSDOT T4 J-BOX	990 LBS W/O HATCH ASSEMBLY

THIS DRAWING HAS BEEN PREPARED FOR YOUR REVIEW AND APPROVAL

- APPROVED AS SUBMITTED
- APPROVED AS CORRECTED
- RESUBMIT

PLEASE CHECK THE APPROPRIATE BOX AND RETURN ONE SIGNED COPY SO THAT WE MAY PROCEED WITH PRODUCTION.

SIGNED _____
TITLE _____ DATE _____

THIS DRAWING IS INTENDED FOR THE USE OF THE INDIVIDUAL TO WHICH IT IS ADDRESSED AND CONTAINS INFORMATION THAT IS PRIVILEGED, CONFIDENTIAL AND EXEMPT FROM DISCLOSURE. IF YOU ARE NOT THE INTENDED RECIPIENT, PLEASE DO NOT DISSEMINATE, DISTRIBUTE OR COPY THIS BY E-MAIL OR OTHERWISE.

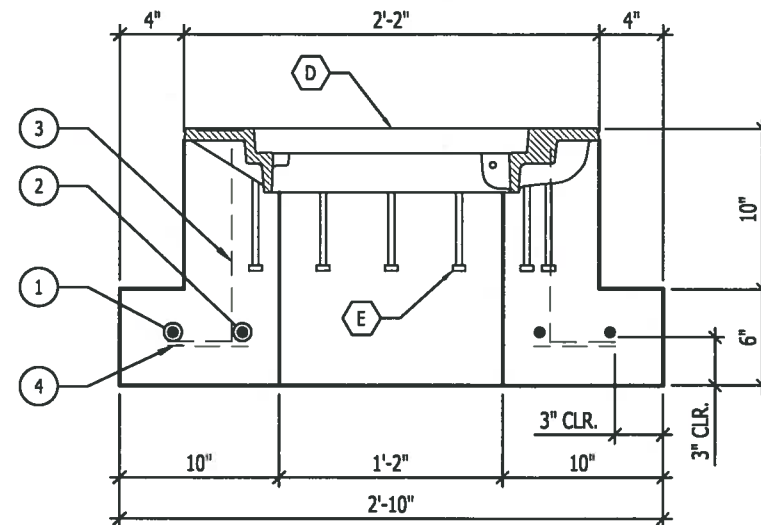
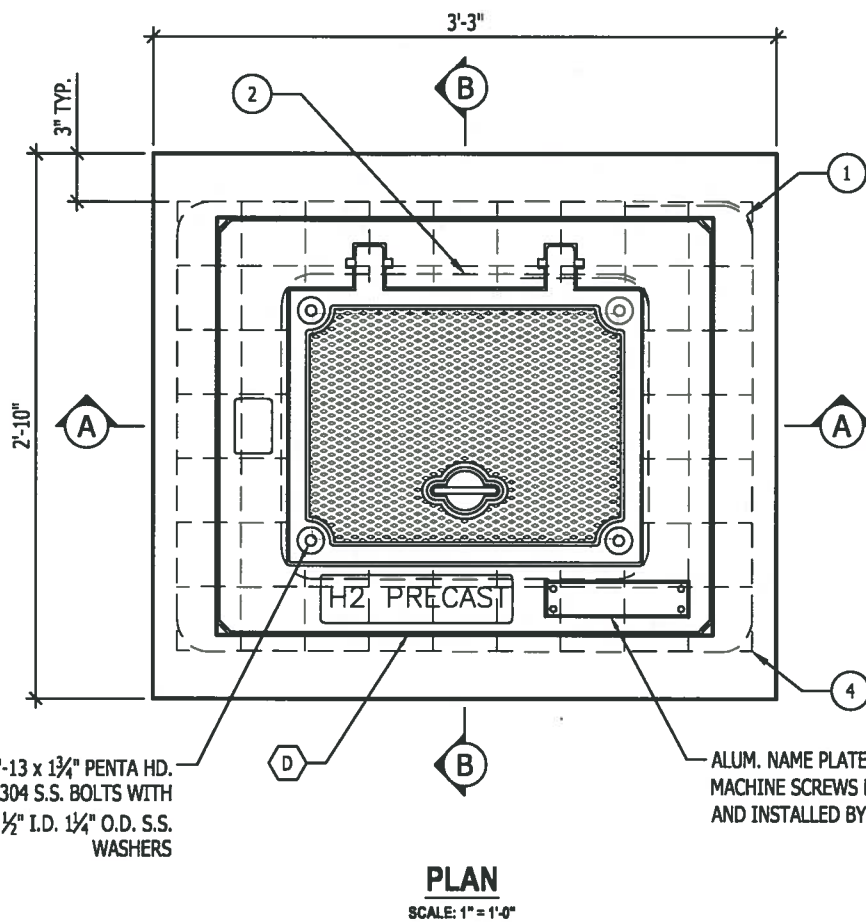


(509) 884-6644 Phone (509) 884-4567 Fax

SALESMAN	DRAWN BY	DATE	DRAWING SCALE
NAME	RLW	DATE	AS SHOWN

PROJECT
WSDOT

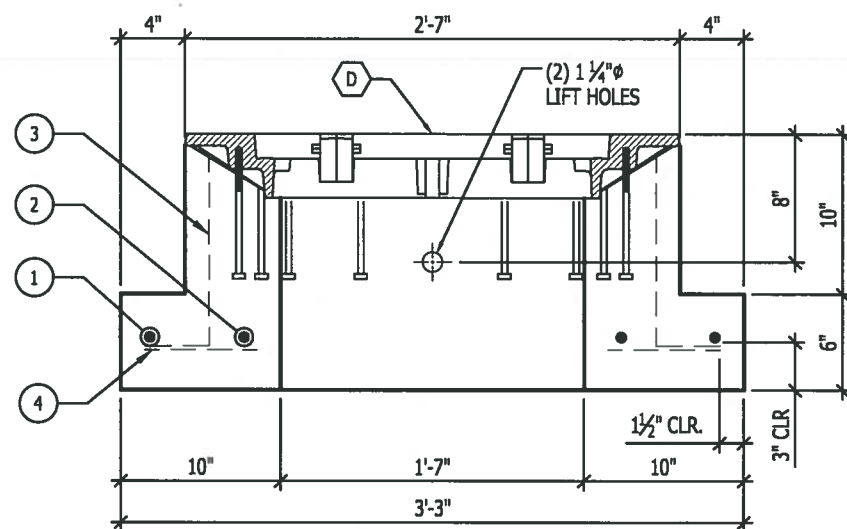
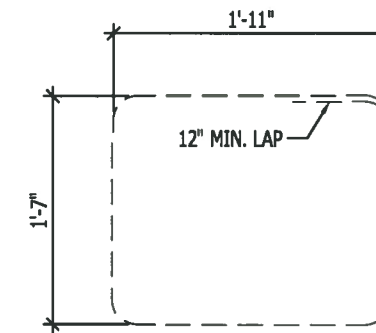
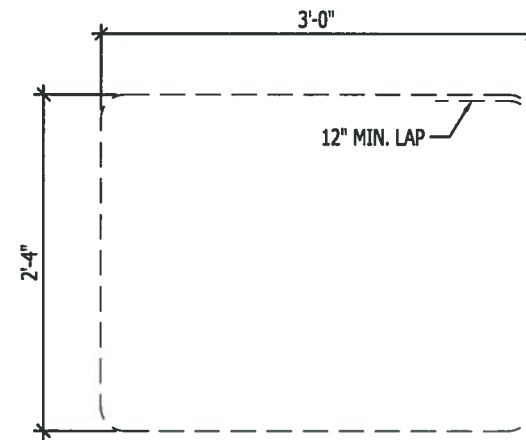
TYPE 4 J-BOX



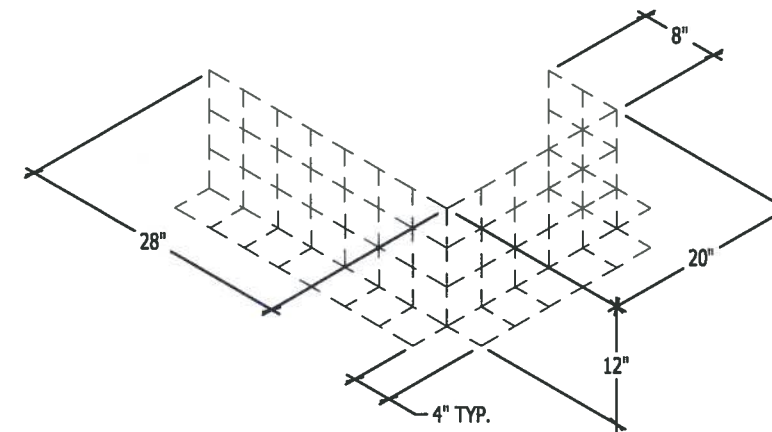
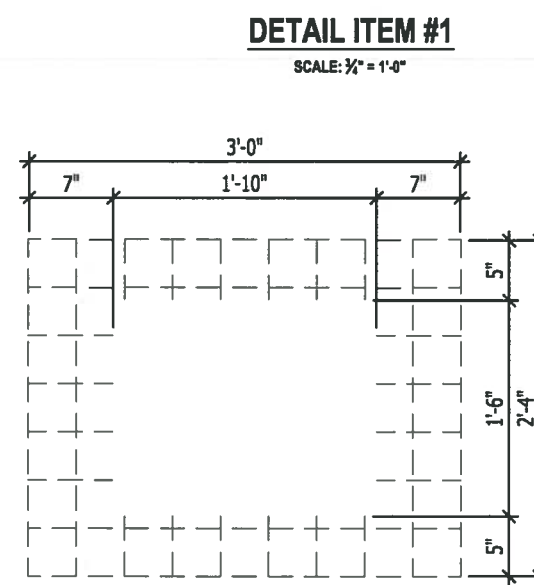
APPROVED

Washington State Department of Transportation
HQ Traffic Operations Office

BY: *[Signature]* DATE: 3/20/2019

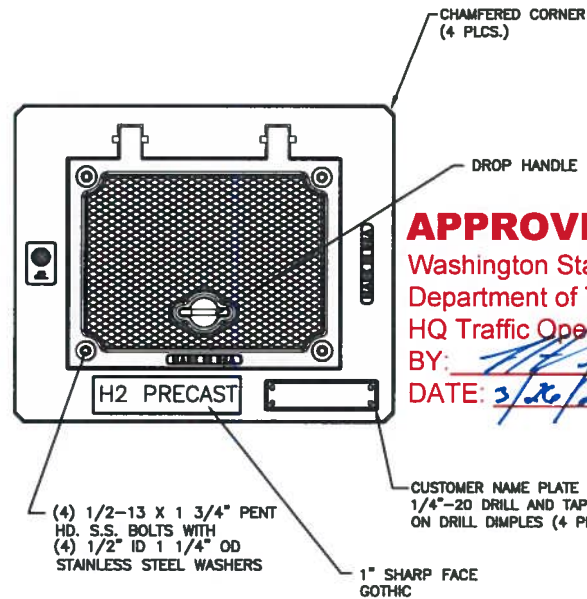


NOTE: LIFT HOLES ARE A PERMANENT PART OF THE STEEL FORM

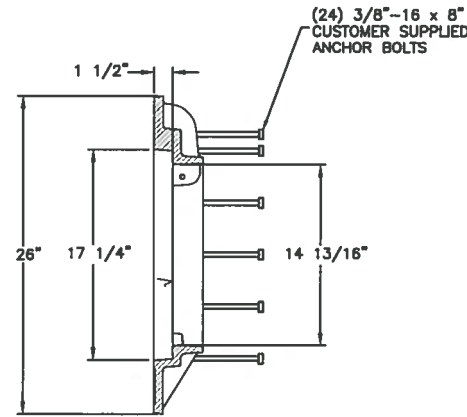


REV NO.	DESCRIPTION	DATE	TITAN #
-	DESCRIPTION	DATE	TITAN#

8266APT 8266ZPT Assembly



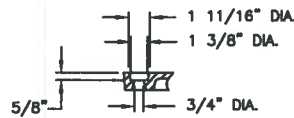
SECTION OF COVER



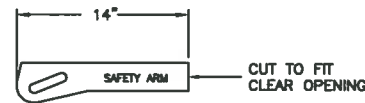
SECTION OF FRAME



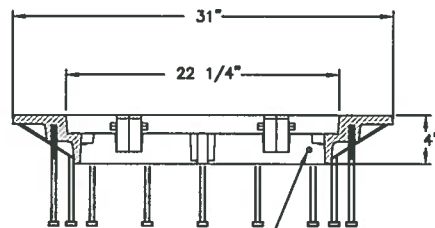
SECTION OF COVERS



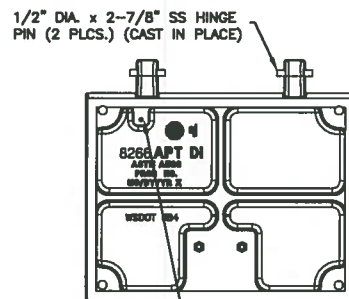
BOLTHOLE DETAIL



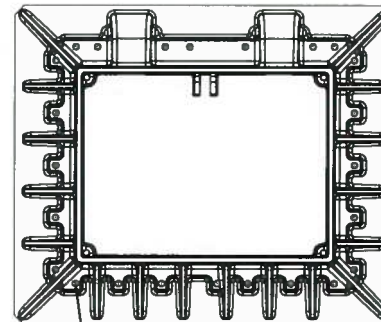
SAFETY BAR DETAIL



SECTION OF FRAME



BOTTOM VIEW OF COVER



BOTTOM VIEW OF FRAME

5/16"-18 DRILL AND TAP THRU FOR CUSTOMER SUPPLIED BOLT

5/16"-18 DRILL AND TAP 1" DP FOR CUSTOMER SUPPLIED BOLT

Product Number

00826621B02

Design Features

- Materials
Hatch Cover
Ductile Iron (80-55-06)
Hatch Frame
Gray Iron (CL35B)

- Design Load
Heavy Duty
- Open Area
n/a
- Coating
Undipped
- Designates Machined Surface

Certification

- ASTM A536
- ASTM A48
- Country of Origin: USA

Major Components

00826621
00826613

Drawing Revision

8/30/2016 Designer: MAH
8/31/2016 Revised By: MAH

Disclaimer

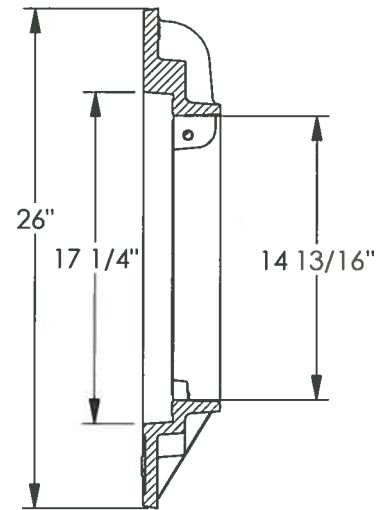
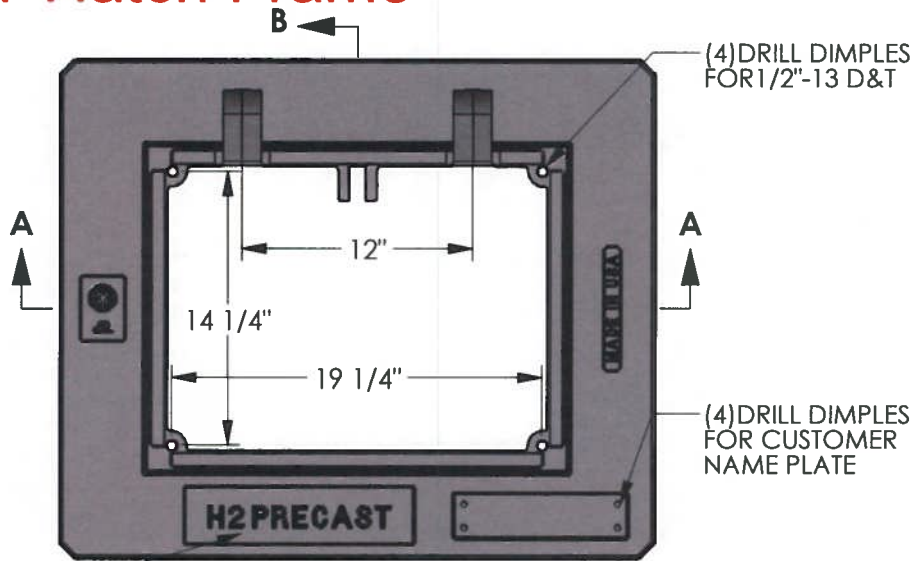
Weights (lbs./kg) dimensions (inches/mm) and drawings provided for your guidance. We reserve the right to modify specifications without prior notice.

CONFIDENTIAL: This drawing is the property of EJ GROUP, Inc., and embodies confidential information registered marks, patents, trade secret information, and/or know how that is the property of EJ GROUP, Inc. Copyright © 2012 EJ GROUP, Inc. All rights reserved.

Contact

800 626 4653
ejco.com

8266ZPT Hatch Frame



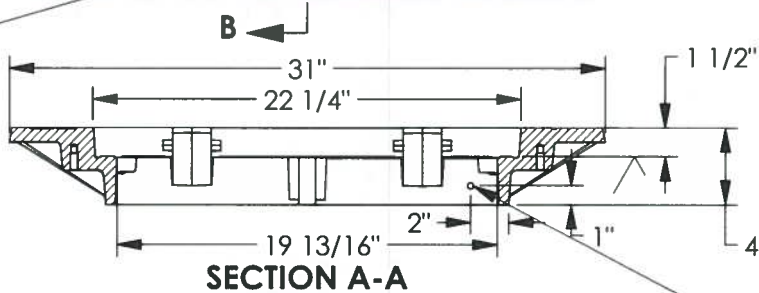
Product Number

00826613

Design Features

- Materials
Gray Iron (CL35B)
- Design Load
Heavy Duty
- Open Area
n/a
- Coating
Undipped
- √ Designates Machined Surface

1" SHARP FACE
GOTHIC



SECTION B-B

Certification

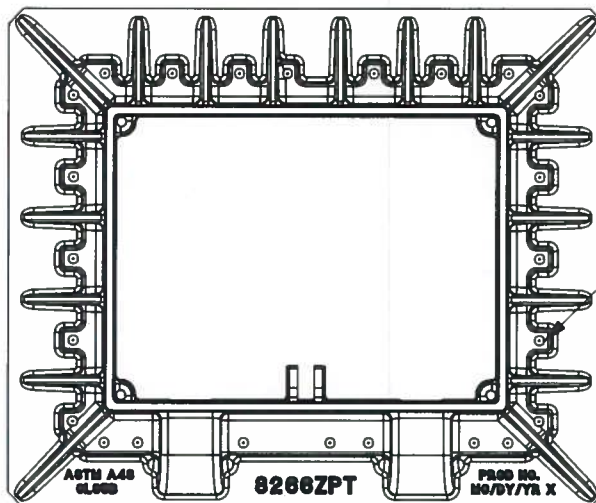
- ASTM A48
-
- Country of Origin: USA

APPROVED

Washington State Department of Transportation
HQ Traffic Operations Office

BY: [Signature] DATE: 3/26/2019

5/16"-18 D&T THRU
FOR CUSTOMER SUPPLIED BOLT



BOTTOM VIEW

NOTE: ALL DRILL, TAP AND MACHINE OPERATIONS WILL BE OUTSOURCED

Drawing Revision

8/30/2016 Designer: MAH
8/31/2016 Revised By: MAH

Disclaimer

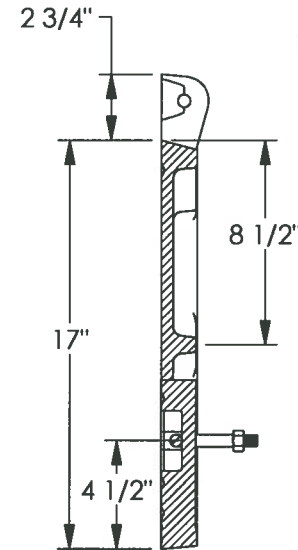
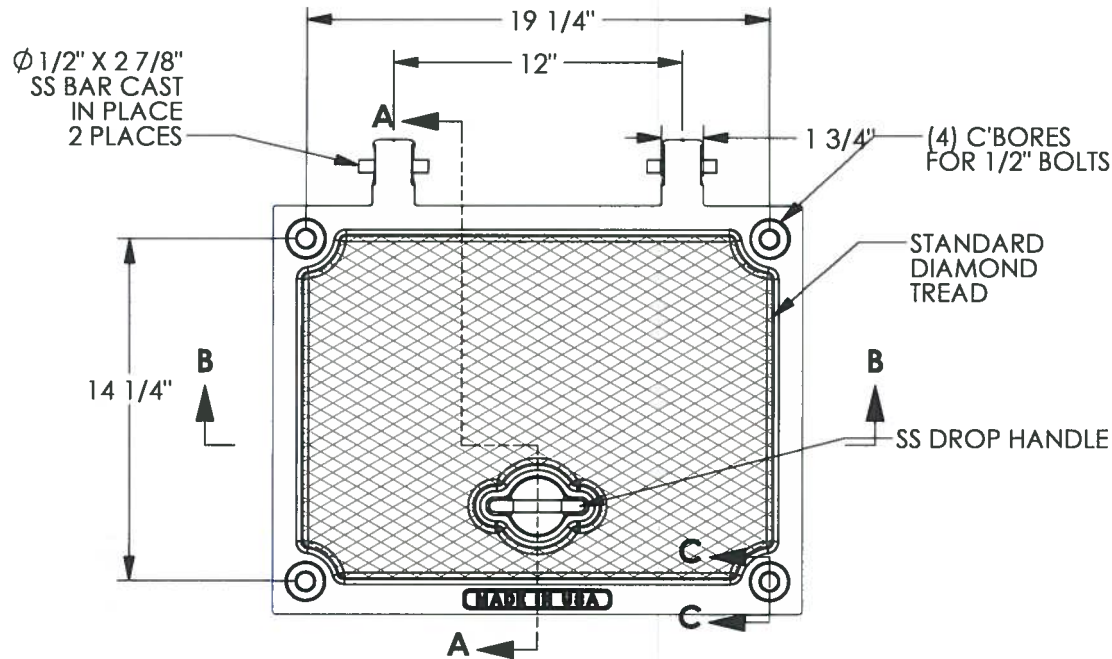
Weights (lbs/kg), dimensions (inches/mm) and drawings provided for your guidance. We reserve the right to modify specifications without prior notice.

CONFIDENTIAL. This drawing is the property of EJ Group, Inc. and embodies confidential information, registered marks, patents, trade secret information, and/or know how that is the property of EJ Group, Inc. Copyright © 2013 EJ Group, Inc. All rights reserved.

Contact

800 626 4653
ejco.com

8266APT Hatch Cover



Product Number

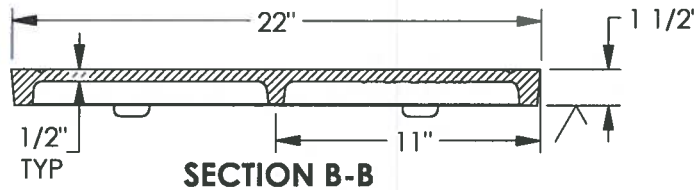
00826621

Design Features

- Materials
Ductile Iron (80-55-06)
- Design Load
Heavy Duty
- Open Area
n/a
- Coating
Undipped
- ✓ Designates Machined Surface

Certification

- ASTM A536
-
- Country of Origin: USA



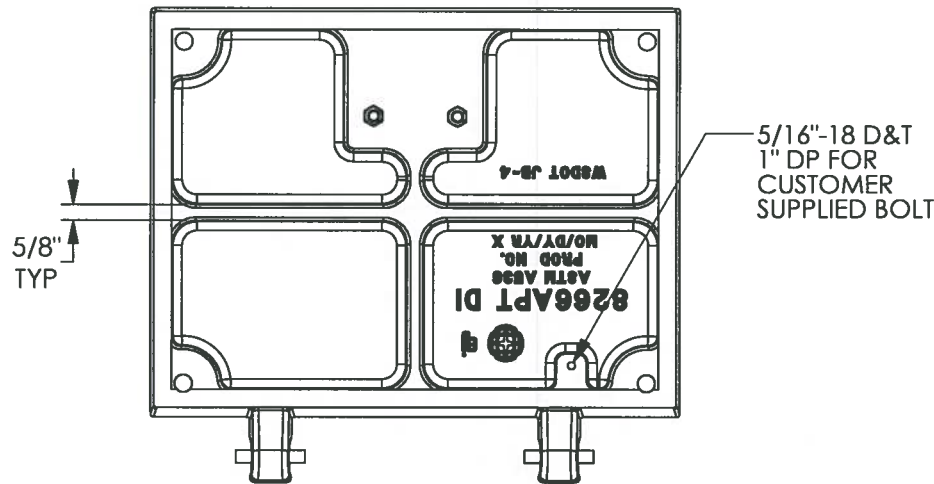
SECTION B-B

APPROVED

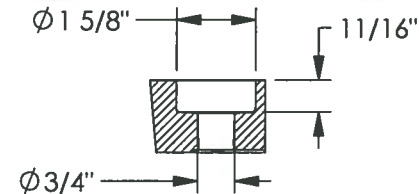
Washington State Department of Transportation
 HQ Traffic Operations Office

BY: DEF DATE: 3/26/2019

SECTION A-A



BOTTOM VIEW



SECTION C-C
 SCALE 1 : 4

***NOTE: DEBURR ALL SHARP
 EDGES FOR SAFETY**

Drawing Revision

11/17/2013 Designer: DEF
 8/8/2016 Revised By: DEF

Disclaimer

Weights (lbs/kg), dimensions (inches/mm) and drawings provided for your guidance. We reserve the right to modify specifications without prior notice.

CONFIDENTIAL. This drawing is the property of EJ Group, Inc. and embodies confidential information, registered marks, patents, trade secret information, and/or know how that is the property of EJ Group, Inc. Copyright © 2013 EJ Group, Inc. All rights reserved.

Contact

800 626 4653
 ejco.com