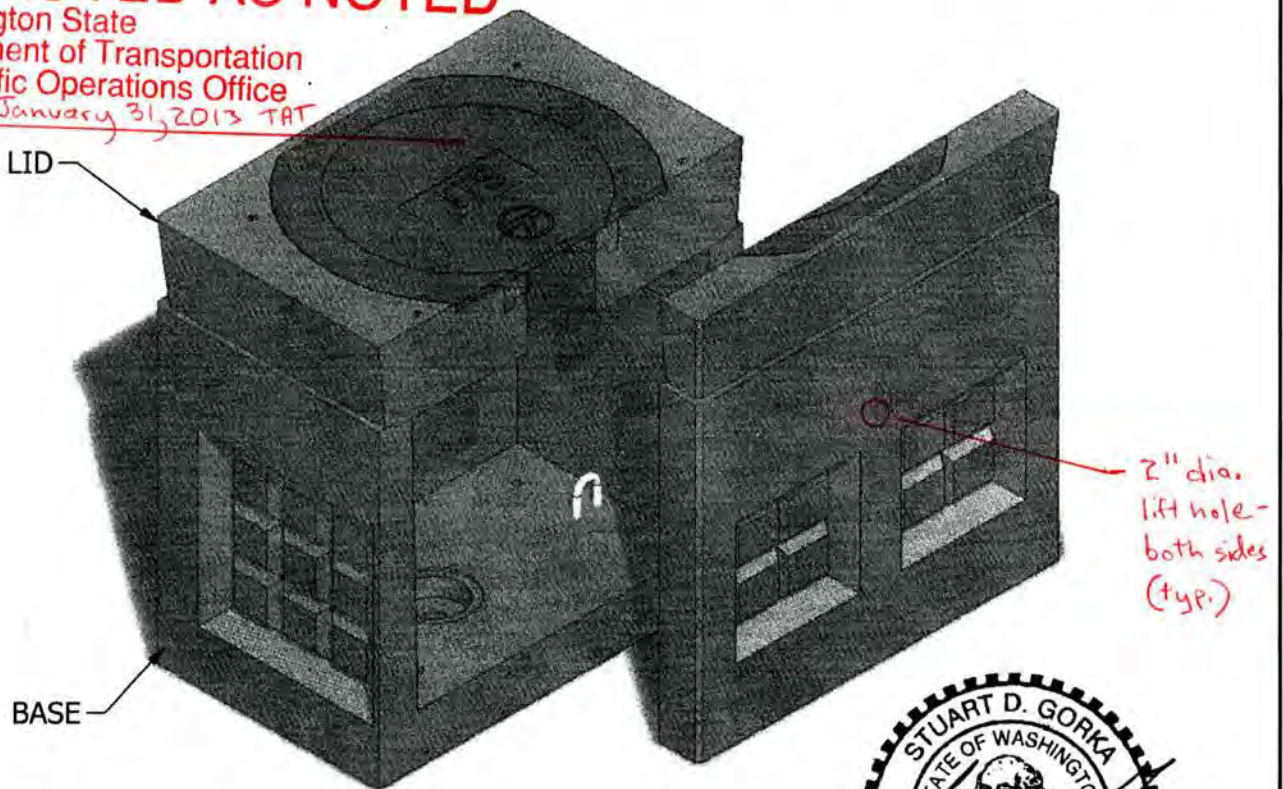


# 2 x 3 WSDOT HD Electrical Vault

**APPROVED AS NOTED**

Washington State  
Department of Transportation  
HQ Traffic Operations Office  
DATE January 31, 2013 TAT



4/6/12

INTERIOR DIMENSIONS:  
2'-0"W x 3'-0"L x 2'-7 1/2"H

**(L) LID (750 lbs)**

- L-1. DAYTON SUPERIOR COIL LOOP INSERT B-16 3/4" X 4" W/ CONAC COIL THREADED PLASTIC PLUG
- L-2. 24" DIA. HEAVY DUTY RING & COVER EAST JORDAN PRODUCT NO. 00371101

**(B) BASE (2,200 lbs)**

- B-1. STAINLESS STEEL C-CHANNEL
- B-2. 1'-6" X 1'-6" KNOCKOUT
- B-3. 1'-0" X 1'-0" KNOCKOUT
- B-4. GALVANIZED PULLING IRON
- B-5. 6" DIA. SUMP
- B-6. 2" DRAIN HOLE

NOTE: Side panel has been shifted to show internal view and is not removable.

© 2012 Granite Precasting & Concrete, Inc.

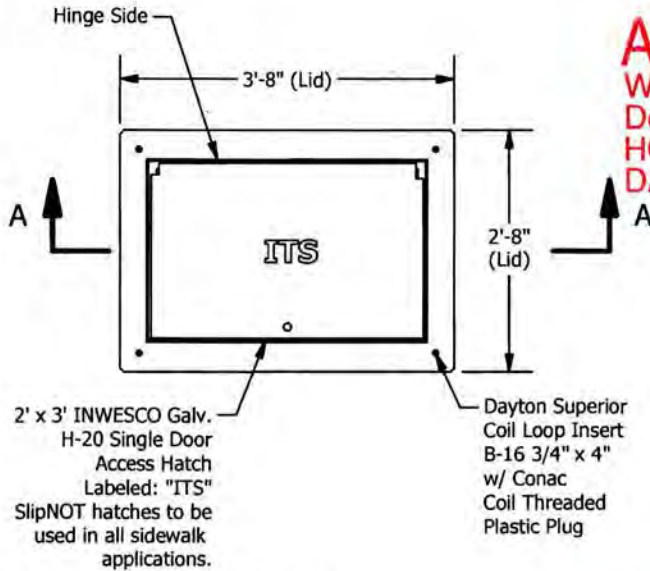


**GRANITE™**

**PRECASTING &  
CONCRETE INC.**

4116 BAKERVIEW SPUR • BELLINGHAM, WA. 98226 • (360) 671-2251 • 1-800-808-2251 • FAX: (360) 671-0780

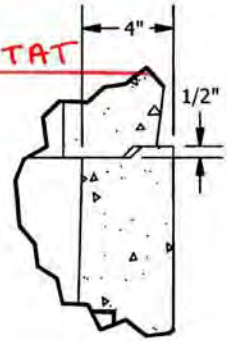
# 2 x 3 WSDOT Electrical Vault



**PLAN**

**APPROVED AS NOTED**

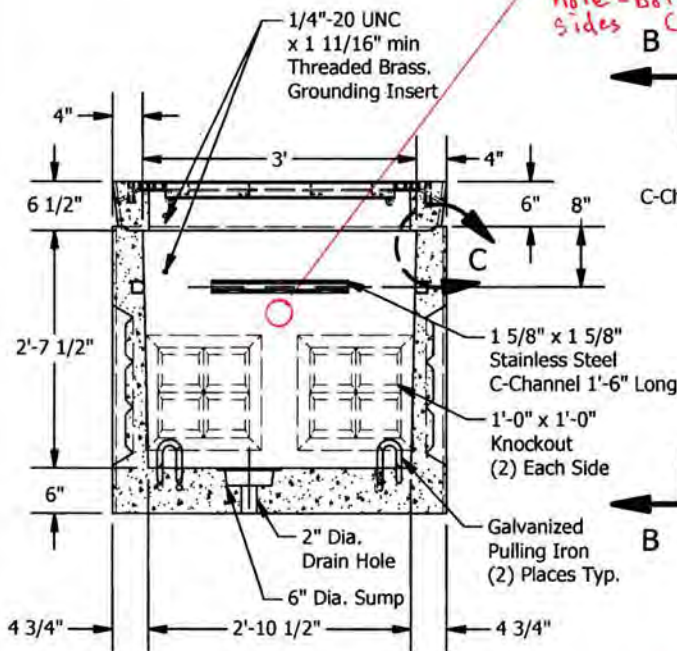
Washington State  
 Department of Transportation  
 HQ Traffic Operations Office  
 DATE April 23, 2012 TAT



**JOINT DETAIL C**  
**SCALE 1/8**

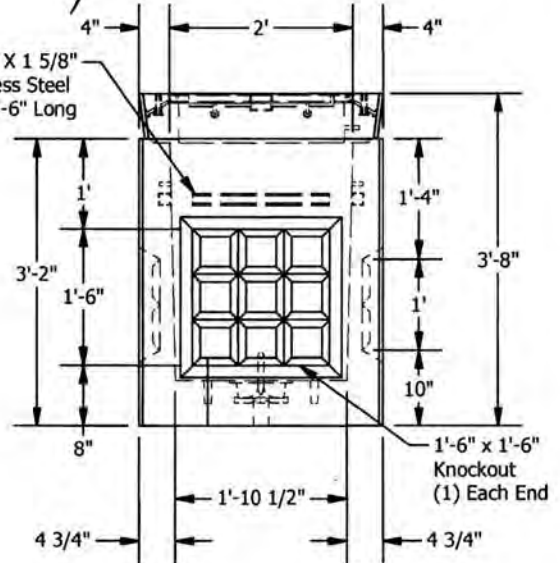


4/6/12



**SECTION A-A**

2" dia. lift hole - both sides (typ)



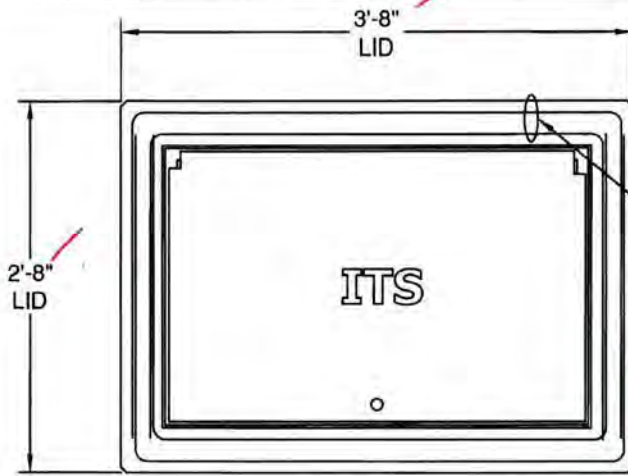
**VIEW B-B**

3/8" dia knockout for ground rod. 2 places (typ.)

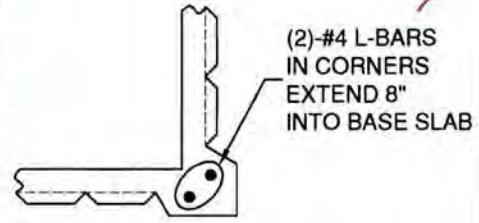
**SPECIFICATIONS**

1. Concrete:  $F_c=6,500$  psi @28 days
2. Rebar: ASTM A-615 Grade 60
3. Design: ASTM C-857 "Minimum Structural Design Loading for Underground Precast Concrete Utility Structures"
4. Loads: AASHTO HS-20

5. Backfill with granular free draining material (sand or pea gravel) free of stones or cobbles greater than 4" in dia. Backfill to be placed in 6" lifts to a minimum of 95% of Proctor Density.
6. Holes cored to plan specifications.
7. Install lid prior to backfill.

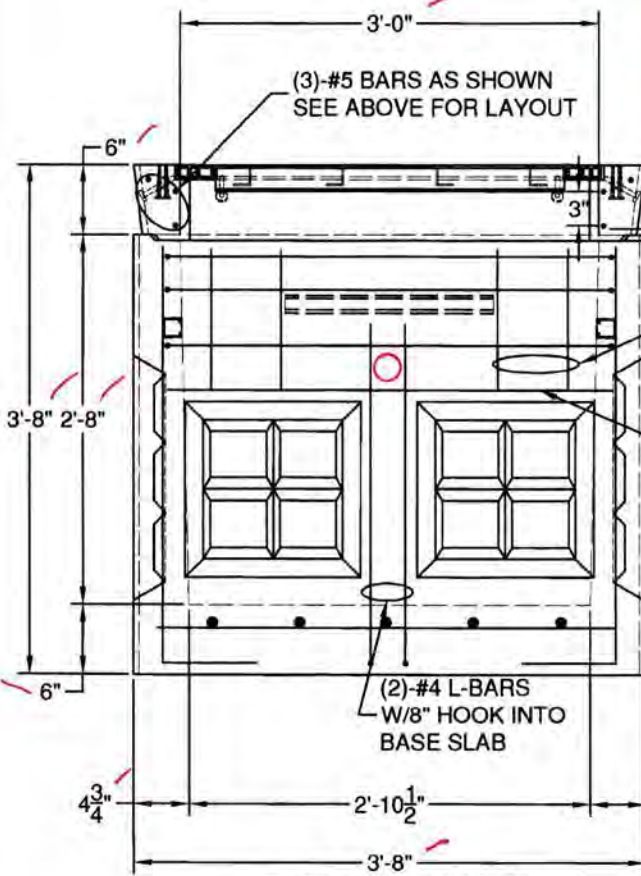


(3)-#5 BARS AS SHOWN EA. SIDE.  
(2)-VISIBLE, THIS VIEW SEE BELOW) LAP 2'-2" MIN. IN ENDS OF SLAB



PARTIAL PLAN VIEW (CORNER DETAIL)

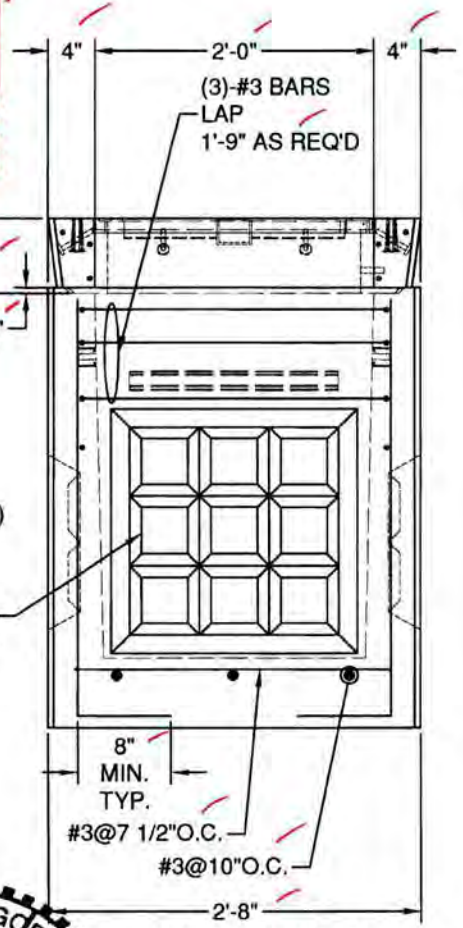
PLAN VIEW



ELEVATION VIEW (SIDEWALL W/REINFORCING SHOWN)

APPROVED

Washington State  
Department of Transportation  
HQ Traffic Operations Office  
DATE August 2, 2010 TAT



ELEVATION VIEW (ENDWALL W/REINFORCING SHOWN)

**DESIGN NOTES:**

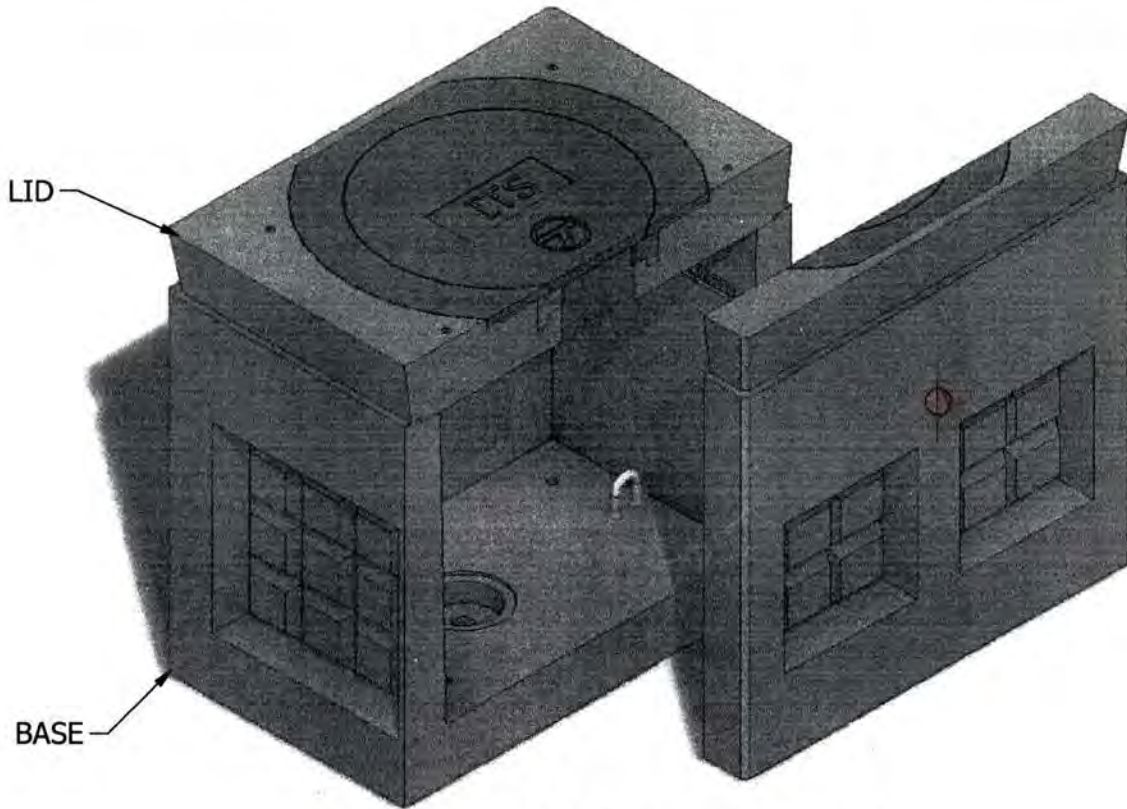
1. CONCRETE STRENGTH=6,500 PSI
2. REINFORCING:  
BAR: ASTM A615, GRADE 60.  
WWR: ASTM A185, GRADE 65.
3. DESIGN PER ASTM C857 & ACI318.
4. 22,500 LB. LIVE LOAD.
5. EARTH FILL: AT GRADE
6. WATERTABLE AT GRADE
7. 81 PCF LATERAL EARTH PRESSURE WITH 100 PSF LIVE LOAD SURCHARGE.
8. 1" BAR COVER U.N.O.
9. HATCH DESIGN BY OTHERS.
10. PROVIDE 4X4 W2.9/W2.9 (MIN.) WWR CENTERED IN ALL KNOCKOUTS. EXTEND 6" MIN. BEYOND KNOCKOUT, IN ALL DIRECTIONS.



8/2/10

<b>PROJECT:</b> <b>STANDARD</b>	<b>STRUCTURE:</b> <b>2X3 EV (WSDOT)</b>	<b>CUSTOMER:</b>
<p style="font-size: 1.5em; font-weight: bold; margin: 0;">GRANITE PRECASTING &amp; CONCRETE INC.</p> <p style="font-size: 0.8em; margin: 0;">4116 BAKERVIEW SPUR, BELLINGHAM, WA. 98226 (360) 671-2251 1-800-808-2251 FAX: (360) 671-0780</p>	DRAWN: SDG    DATE: 2/2/10    SHEET:	CHECKED:    DATE:    SCALE: 3/4"=1'-0"
	2    8-2-10    SDG    REV. BASE THICKNESS	1    4/30/10    SDG    REV. SLAB REINFORCING
	THIS DOCUMENT CONTAINS PROPRIETARY INFORMATION THAT SHALL NOT BE COPIED OR DISCLOSED TO OTHERS WITHOUT THE EXPRESS WRITTEN PERMISSION OF GRANITE PRECASTING AND CONCRETE.	

# 2 x 3 WSDOT HD Electrical Vault



**APPROVED**

Washington State  
Department of Transportation  
HQ Traffic Operations Office  
DATE April 23, 2012 TAT



**(L) LID (600 lbs)**

- L-1. DAYTON SUPERIOR COIL LOOP INSERT B-16 3/4" X 4" W/ CONAC COIL THREADED PLASTIC PLUG
- L-2. 24" DIA. HEAVY DUTY RING & COVER EAST JORDAN PRODUCT NO. 00371101

INTERIOR DIMENSIONS:  
2'-0"W x 3'-0"L x 2'-7 1/2"H

**(B) BASE (2,200 lbs)**

- B-1. STAINLESS STEEL C-CHANNEL
- B-2. 1'-6" X 1'-6" KNOCKOUT
- B-3. 1'-0" X 1'-0" KNOCKOUT
- B-4. GALVANIZED PULLING IRON
- B-5. 6" DIA. SUMP
- B-6. 2" DRAIN HOLE

NOTE: Side panel has been shifted to show internal view and is not removable.

© 2012 Granite Precasting & Concrete, Inc.

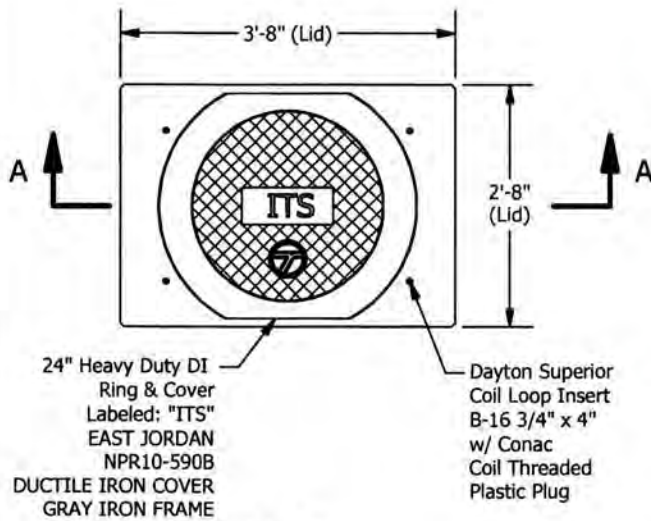


**GRANITE™**

**PRECASTING &  
CONCRETE INC.**

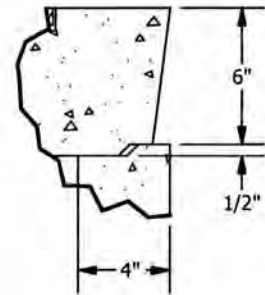
4116 BAKERVIEW SPUR • BELLINGHAM, WA. 98226 • (360) 671-2251 • 1-800-808-2251 • FAX: (360) 671-0780

# 2 x 3 WSDOT HD Electrical Vault

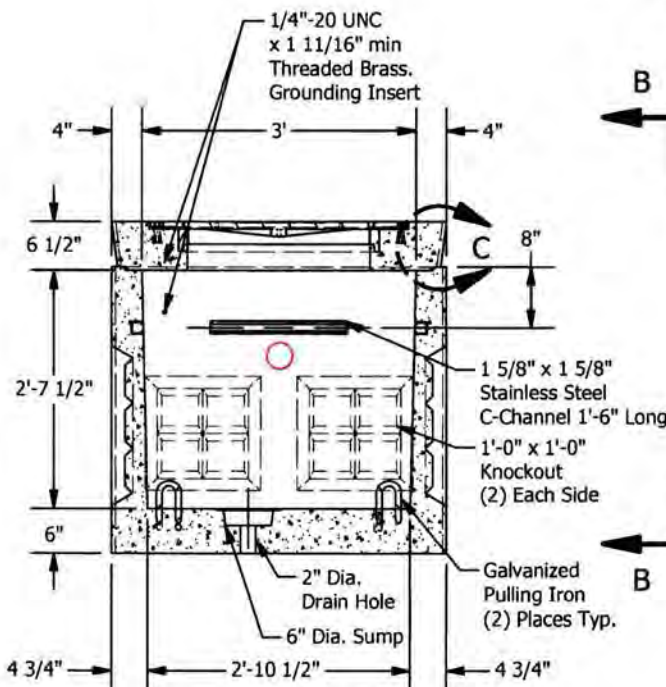


**PLAN**

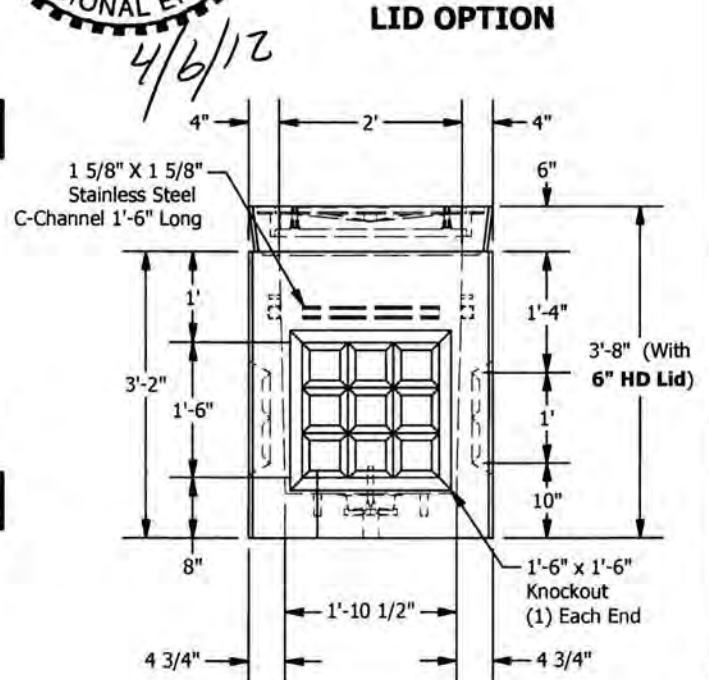
**APPROVED**  
 Washington State  
 Department of Transportation  
 HQ Traffic Operations Office  
 DATE April 23, 2012 TAT



**JOINT DETAIL C**  
**SCALE 1/8**



**SECTION A-A**

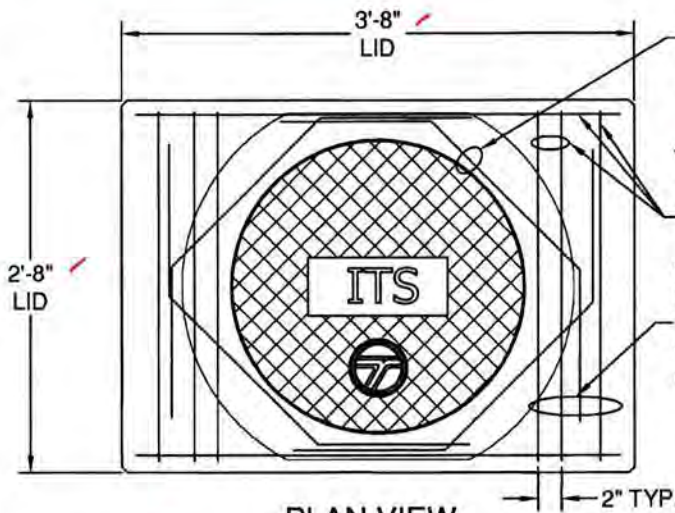


**VIEW B-B**

**SPECIFICATIONS**

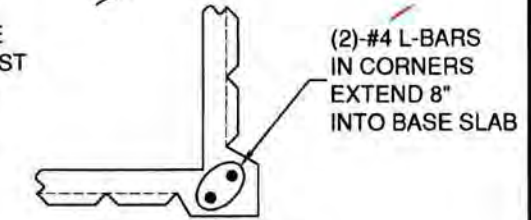
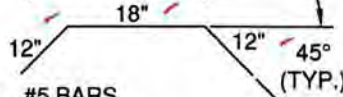
1. Concrete:  $F_c=6,500$  psi @28 days
2. Rebar: ASTM A-615 Grade 60
3. Design: ASTM C-857 "Minimum Structural Design Loading for Underground Precast Concrete Utility Structures"
4. Loads: AASHTO HS-20

5. Backfill with granular free draining material (sand or pea gravel) free of stones or cobbles greater than 4" in dia. Backfill to be placed in 6" lifts to a minimum of 95% of Proctor Density.
6. Holes cored to plan specifications.
7. Install lid prior to backfill.

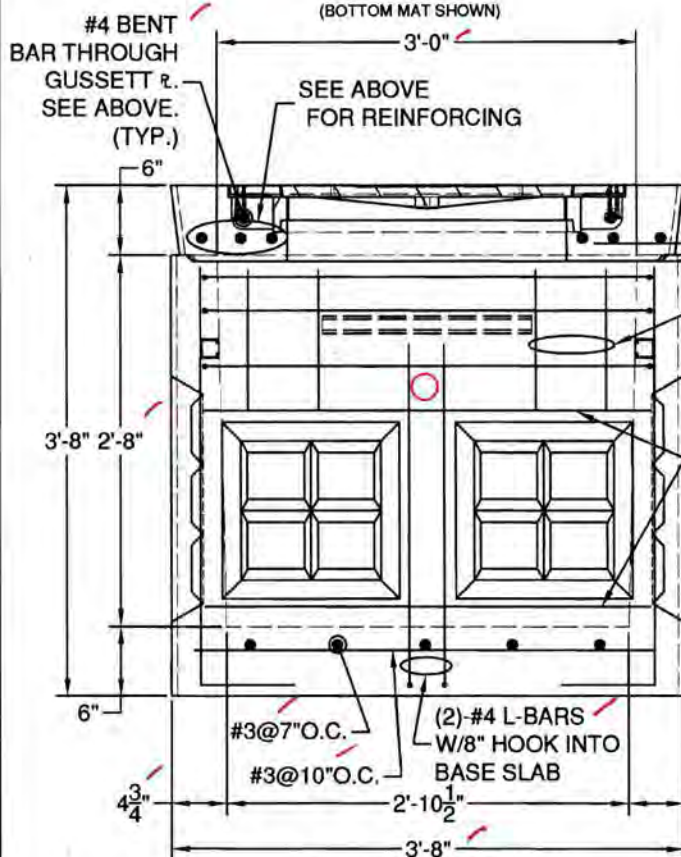


**PLAN VIEW**  
(BOTTOM MAT SHOWN)

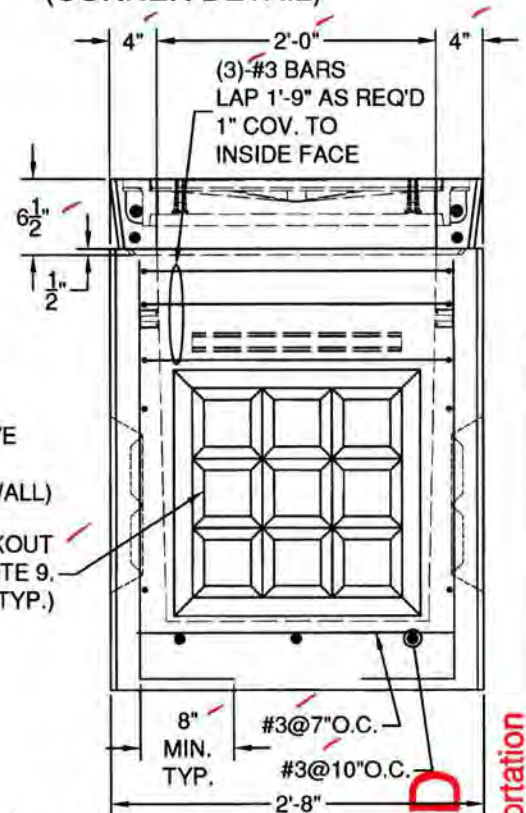
(1)-#4x3'-6" BENT BAR THROUGH EACH CORED HOLE IN FRAME. TIE ENDS TO MAIN REINFORCING. (4-TOTAL REQ'D)



**PARTIAL PLAN VIEW**  
(CORNER DETAIL)



**ELEVATION VIEW**  
(SIDEWALL W/REINFORCING SHOWN)



**ELEVATION VIEW**  
(ENDWALL W/REINFORCING SHOWN)

**DESIGN NOTES:**

1. CONCRETE STRENGTH=6,500 PSI
2. REINFORCING:  
BAR: ASTM A615, GRADE 60.  
WWR: ASTM A185, GRADE 65.
3. DESIGN PER ASTM C857 & ACI318.
4. 46,000 LB. SERVICE LIVE LOAD.  
60,000 LB. PROOF LOAD.
5. EARTH FILL: AT GRADE
6. WATERTABLE AT LEAST 2'-6" BELOW GRADE
7. 60 PCF LATERAL EARTH PRESSURE WITH 100 PSF LIVE LOAD SURCHARGE.
8. 1" BAR COVER U.N.O.
9. PROVIDE 4X4 W2.9/W2.9 (MIN.) WWR CENTERED IN ALL KNOCKOUTS. EXTEND 6" MIN. BEYOND KNOCKOUT, IN ALL DIRECTIONS.



5/6/10

**APPROVED**

Washington State  
Department of Transportation

IG Traffic Operations Office TAT  
DATE: May 10, 2010

PROJECT: <b>STANDARD</b>	STRUCTURE: <b>2X3 HD EV (WSDOT) 6" TOP</b>	CUSTOMER:
-----------------------------	---	-----------



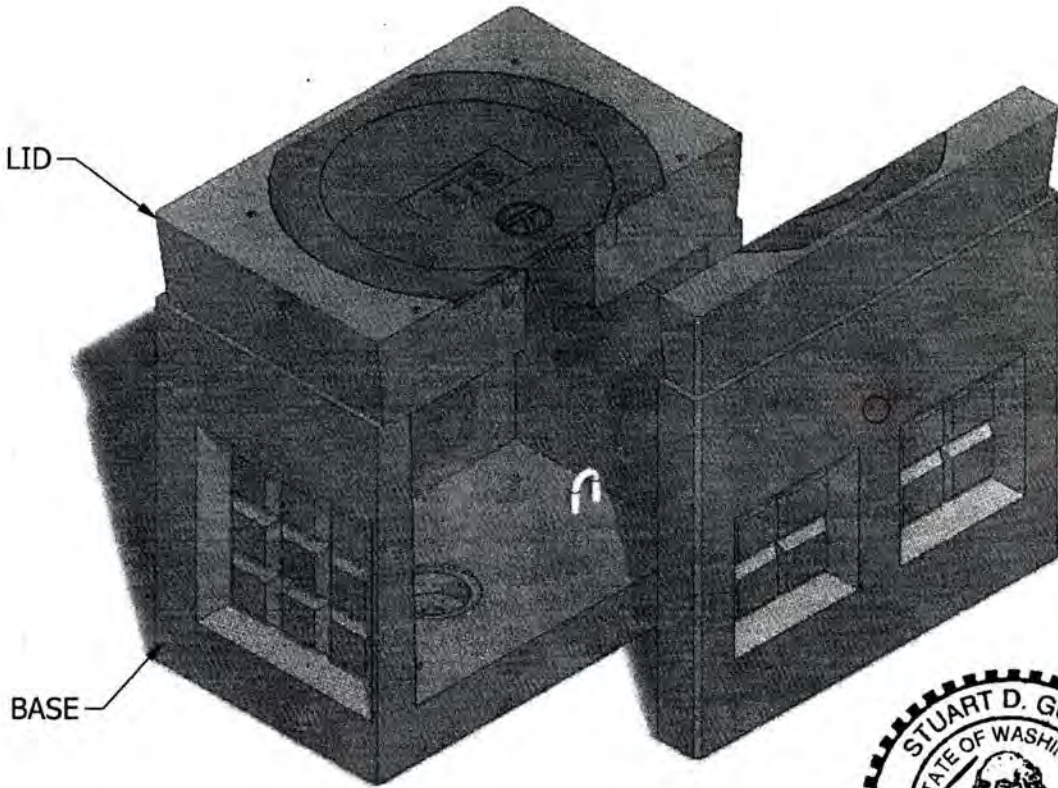
**GRANITE PRECASTING & CONCRETE INC.**

4116 BAKERVIEW SPUR, BELLINGHAM, WA. 98226 (360) 671-2251 1-800-808-2251 FAX: (360) 671-0780

DRAWN: SDG	DATE: 2/17/10	SHEET:
CHECKED:	DATE:	SCALE: 3/4"=1'-0"

THIS DOCUMENT CONTAINS PROPRIETARY INFORMATION THAT SHALL NOT BE COPIED OR DISCLOSED TO OTHERS WITHOUT THE EXPRESS WRITTEN PERMISSION OF GRANITE PRECASTING AND CONCRETE.

# 2 x 3 WSDOT HD Electrical Vault



**APPROVED**  
 Washington State  
 Department of Transportation  
 HQ Traffic Operations Office  
 DATE: April 23, 2012 TAT



**(L) LID (750 lbs)**

- L-1. DAYTON SUPERIOR COIL LOOP INSERT B-16 3/4" X 4" W/ CONAC COIL THREADED PLASTIC PLUG
- L-2. 24" DIA. HEAVY DUTY RING & COVER EAST JORDAN PRODUCT NO. 00371101

**(B) BASE (2,200 lbs)**

- B-1. STAINLESS STEEL C-CHANNEL
- B-2. 1'-6" X 1'-6" KNOCKOUT
- B-3. 1'-0" X 1'-0" KNOCKOUT
- B-4. GALVANIZED PULLING IRON
- B-5. 6" DIA. SUMP
- B-6. 2" DRAIN HOLE

INTERIOR DIMENSIONS:  
 2'-0"W x 3'-0"L x 2'-7 1/2"H

NOTE: Side panel has been shifted to show internal view and is not removable.

© 2012 Granite Precasting & Concrete, Inc.

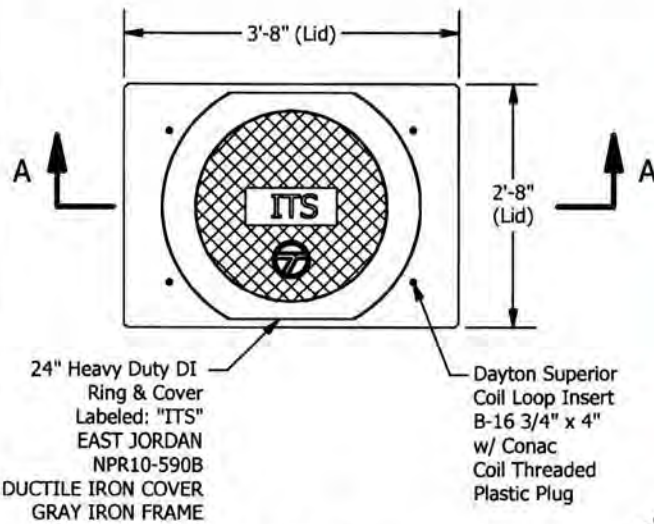


**GRANITE™**

**PRECASTING & CONCRETE INC.**

4116 BAKERVIEW SPUR • BELLINGHAM, WA. 98226 • (360) 671-2251 • 1-800-808-2251 • FAX: (360) 671-0780

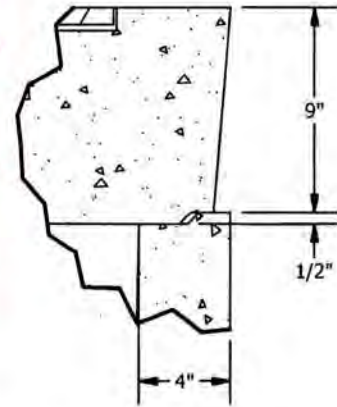
# 2 x 3 WSDOT HD Electrical Vault



**PLAN**

**APPROVED**

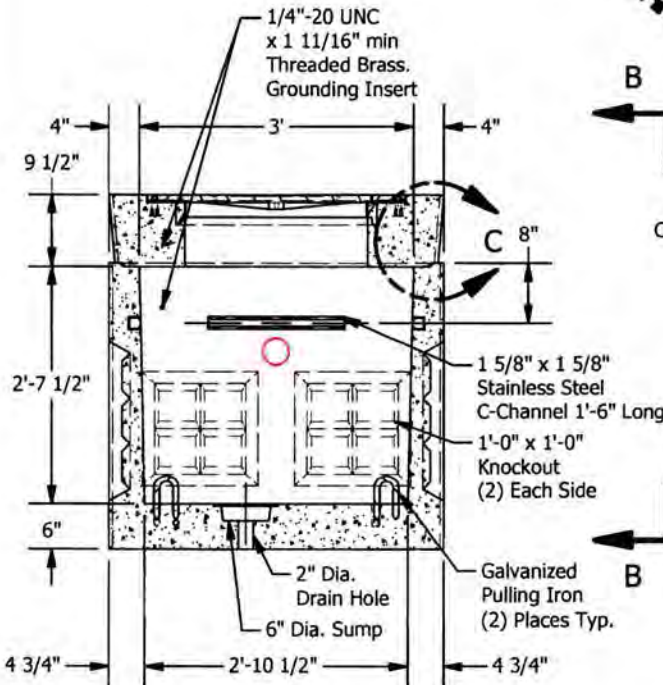
Washington State  
Department of Transportation  
HQ Traffic Operations Office  
DATE: April 23, 2012 TMT



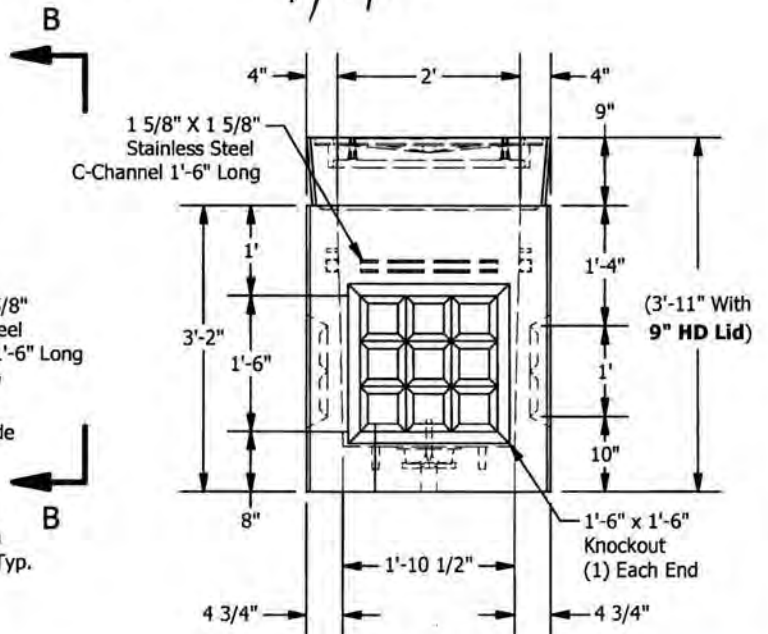
**JOINT DETAIL C**  
**SCALE 1/8**



4/6/12



**SECTION A-A**



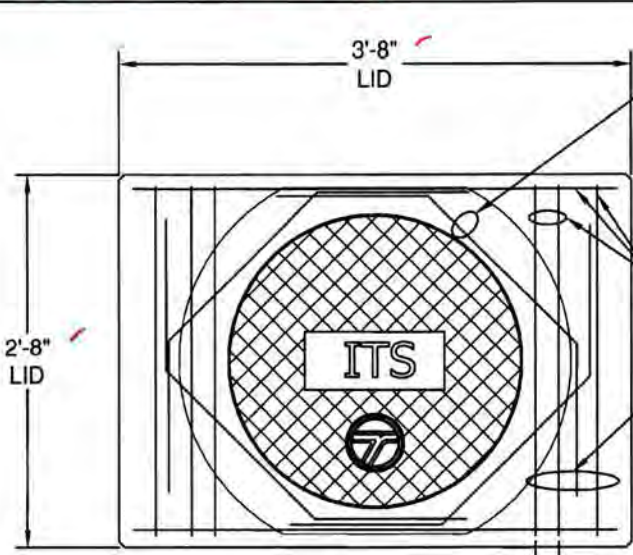
**VIEW B-B**

**SPECIFICATIONS**

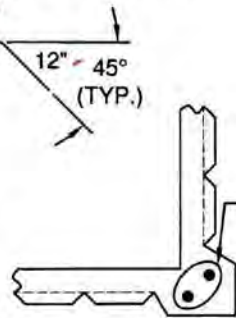
1. Concrete:  $f_c=6,500$  psi @28 days
2. Rebar: ASTM A-615 Grade 60
3. Design: ASTM C-857 "Minimum Structural Design Loading for Underground Precast Concrete Utility Structures"
4. Loads: AASHTO HS-20

5. Backfill with granular free draining material (sand or pea gravel) free of stones or cobbles greater than 4" in dia. Backfill to be placed in 6" lifts to a minimum of 95% of Proctor Density.
6. Holes cored to plan specifications.
7. Install lid prior to backfill.



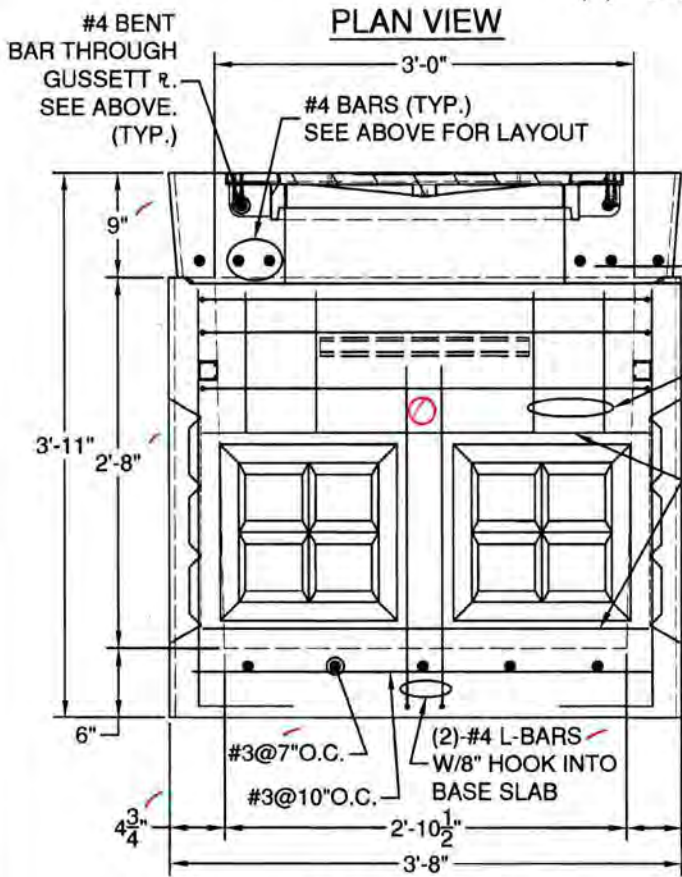


(1)-#4x3'-6" BENT BAR THROUGH EACH CORED HOLE IN FRAME TIE ENDS TO MAIN REINFORCING. (4-TOTAL REQ'D)

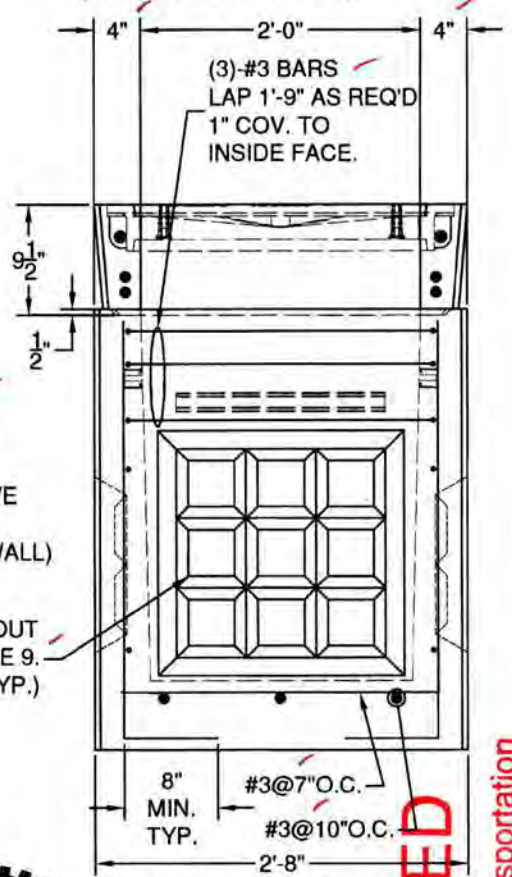


(2)-#4 L-BARS IN CORNERS EXTEND 8" INTO BASE SLAB

**PARTIAL PLAN VIEW (CORNER DETAIL)**



**PLAN VIEW**



**ELEVATION VIEW (ENDWALL W/REINFORCING SHOWN)**

**ELEVATION VIEW (SIDEWALL W/REINFORCING SHOWN)**

**DESIGN NOTES:**

1. CONCRETE STRENGTH=6,500 PSI
2. REINFORCING: BAR: ASTM A615, GRADE 60. WWR: ASTM A185, GRADE 65.
3. DESIGN PER ASTM C857 & ACI318.
4. 46,000 LB. SERVICE LIVE LOAD. 60,000 LB. PROOF LOAD.
5. EARTH FILL: AT GRADE
6. WATERTABLE AT LEAST 2'-6" BELOW GRADE
7. 60 PCF LATERAL EARTH PRESSURE WITH 100 PSF LIVE LOAD SURCHARGE.
8. 1" BAR COVER U.N.O.
9. PROVIDE 4X4 W2.9/W2.9 (MIN.) WWR CENTERED IN ALL KNOCKOUTS. EXTEND 6" MIN. BEYOND KNOCKOUT, IN ALL DIRECTIONS.



5/6/10

APPROVED

Washington State  
Department of Transportation  
I/C Traffic Operations Office TAT  
DATE: May 10, 2010

PROJECT: <b>STANDARD</b>	STRUCTURE: <b>2X3 HD EV (WSDOT) 9" TOP</b>	CUSTOMER:
-----------------------------	---	-----------



**GRANITE PRECASTING & CONCRETE INC.**

4118 BAKERVIEW SPUR, BELLINGHAM, WA. 98226 (360) 671-2251 1-800-808-2251 FAX: (360) 671-0780

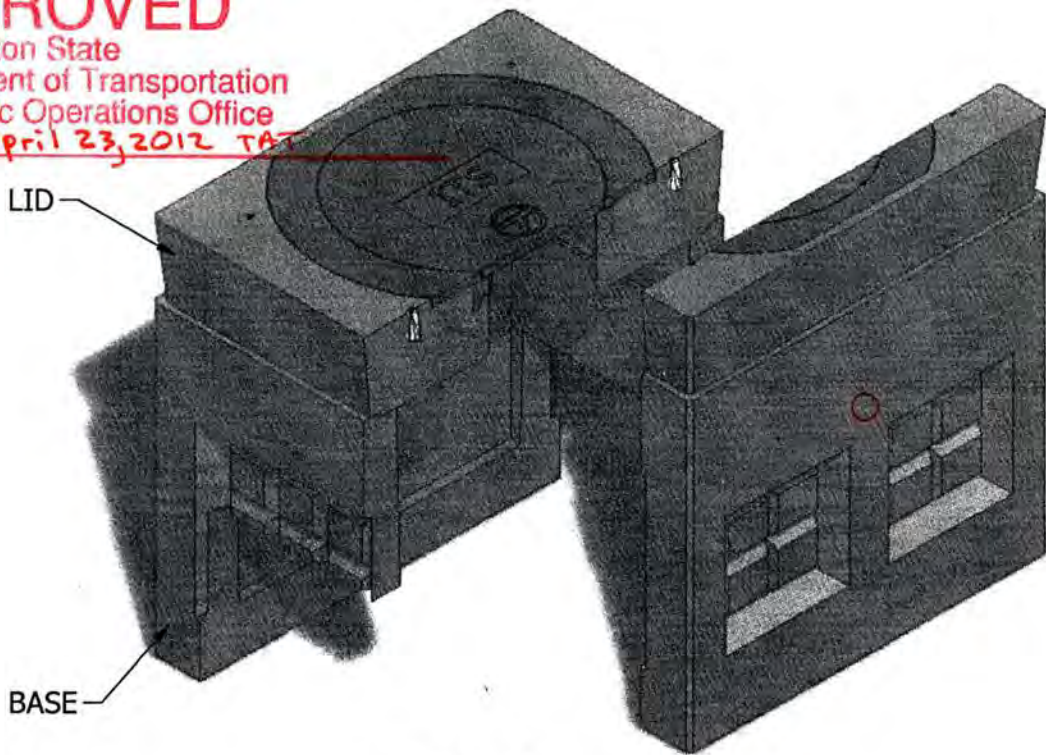
DRAWN: SDG	DATE: 2/17/10	SHEET:
CHECKED:	DATE:	SCALE: 3/4"=1'-0"

THIS DOCUMENT CONTAINS PROPRIETARY INFORMATION THAT SHALL NOT BE COPIED OR DISCLOSED TO OTHERS WITHOUT THE EXPRESS WRITTEN PERMISSION OF GRANITE PRECASTING AND CONCRETE.

# 2 x 3 WSDOT HD Open Bot. EV

**APPROVED**

Washington State  
Department of Transportation  
HQ Traffic Operations Office  
DATE April 23, 2012 TAT



**(L) LID (750 lbs)**

- L-1. DAYTON SUPERIOR COIL LOOP INSERT B-16 3/4" X 4"  
W/ CONAC COIL THREADED PLASTIC PLUG
- L-2. 24" DIA. HEAVY DUTY RING & COVER  
EAST JORDAN PRODUCT NO. 00371101

INTERIOR DIMENSIONS:  
2'-0"W x 3'-0"L x 2'-7 1/2"H

**(B) BASE (2,200 lbs)\***

- B-1. STAINLESS STEEL C-CHANNEL
- B-2. 1'-6" X 1'-6" KNOCKOUT
- B-3. 1'-0" X 1'-0" KNOCKOUT
- B-4. BLOCKOUT (OPEN BOTTOM)

\*Weight Varies. To be Verified.

NOTE: Side panel has been shifted to show internal view and is not removable.

© 2012 Granite Precasting & Concrete, Inc.



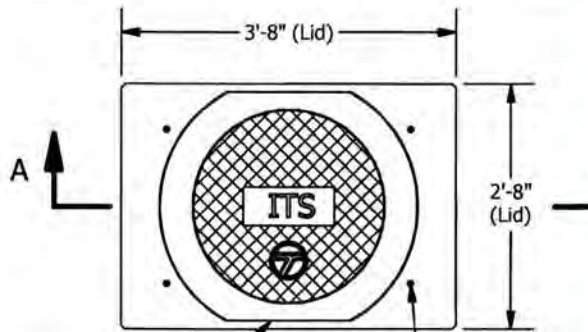
**GRANITE™**

**PRECASTING &  
CONCRETE INC.**

4116 BAKERVIEW SPUR • BELLINGHAM, WA. 98226 • (360) 671-2251 • 1-800-808-2251 • FAX: (360) 671-0780

# 2 x 3 WSDOT HD Open Bot. EV

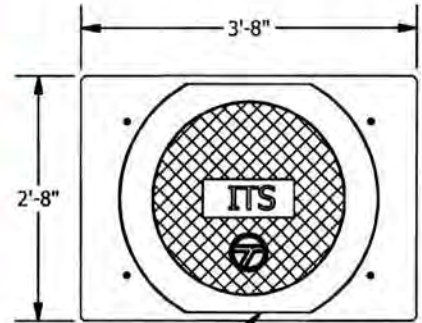
**APPROVED**  
 Washington State  
 Department of Transportation  
 HQ Traffic Operations Office  
 DATE April 23, 2012 (AT)



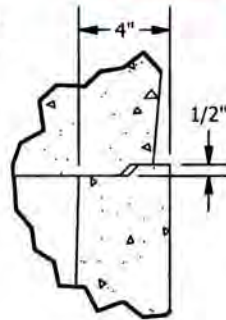
24" Heavy Duty DI Ring & Cover Labeled: "ITS" EAST JORDAN NPR10-590B DUCTILE IRON COVER GRAY IRON FRAME

Dayton Superior Coil Loop Insert B-16 3/4" x 4" w/ Conac Coil Threaded Plastic Plug

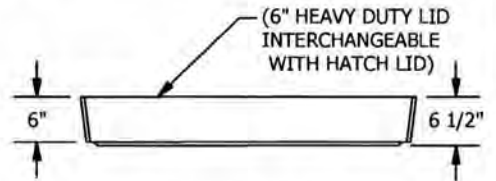
**PLAN**



24" Heavy Duty DI Ring & Cover Labeled: "ITS" EAST JORDAN NPR10-590B DUCTILE IRON COVER GRAY IRON FRAME



**JOINT DETAIL C**  
SCALE 1/8

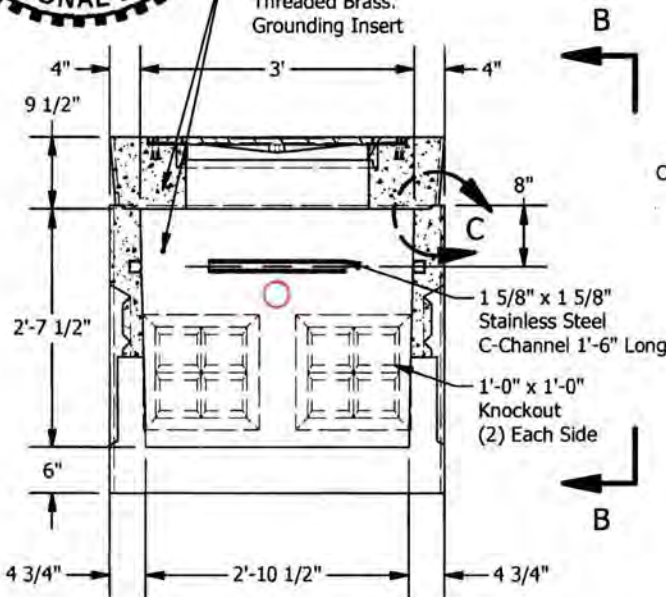


**LID OPTION**

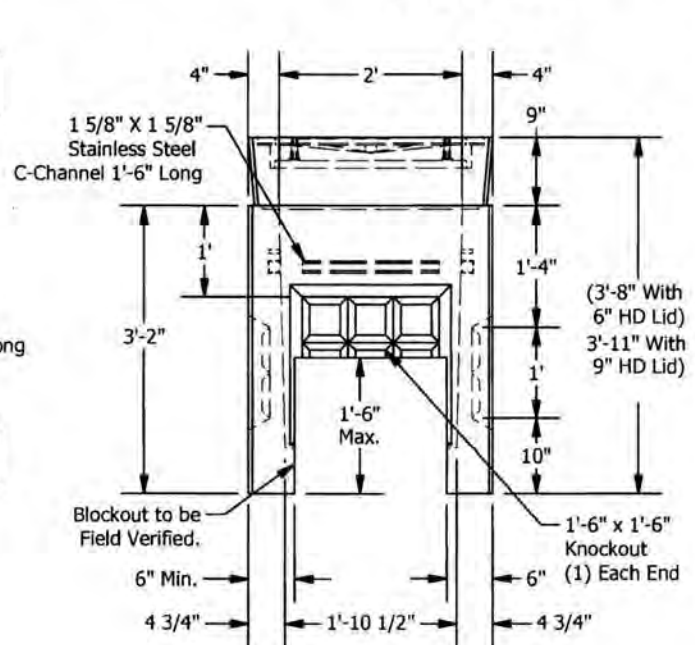


4/6/12

1/4"-20 UNC x 1 11/16" min Threaded Brass Grounding Insert



**SECTION A-A**



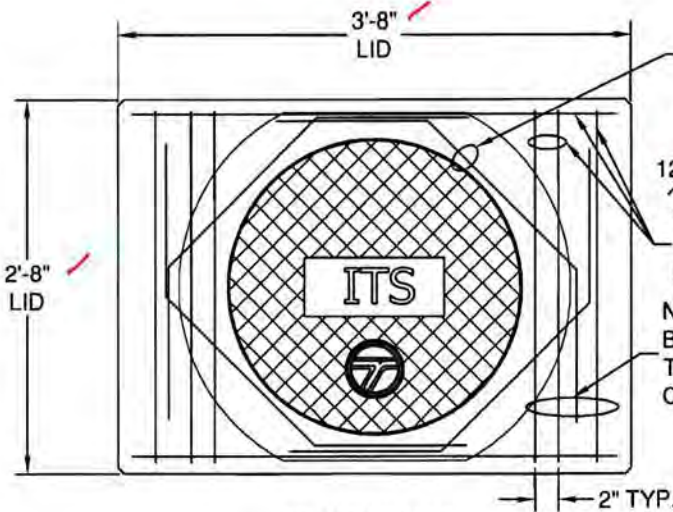
**VIEW B-B**

**SPECIFICATIONS**

1. Concrete:  $f_c=6,500$  psi @28 days
2. Rebar: ASTM A-615 Grade 60
3. Design: ASTM C-857 "Minimum Structural Design Loading for Underground Precast Concrete Utility Structures"
4. Loads: AASHTO HS-20

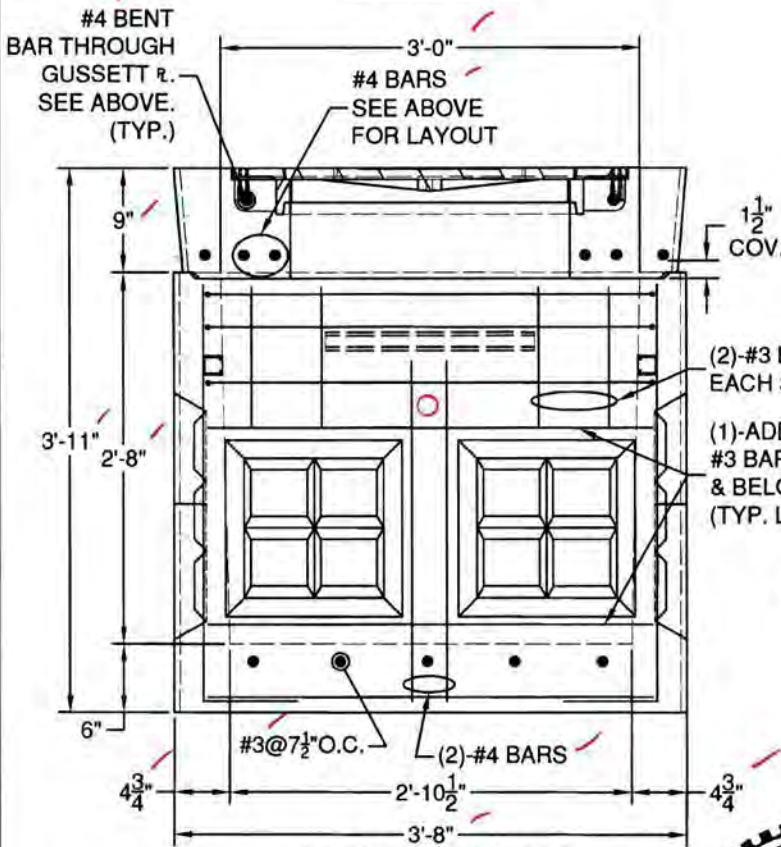
5. Backfill with granular free draining material (sand or pea gravel) free of stones or cobbles greater than 4" in dia. Backfill to be placed in 6" lifts to a minimum of 95% of Proctor Density.
6. Holes cored to plan specifications.
7. Install lid prior to backfill.

5/6/10 2nd - 9 inch lid

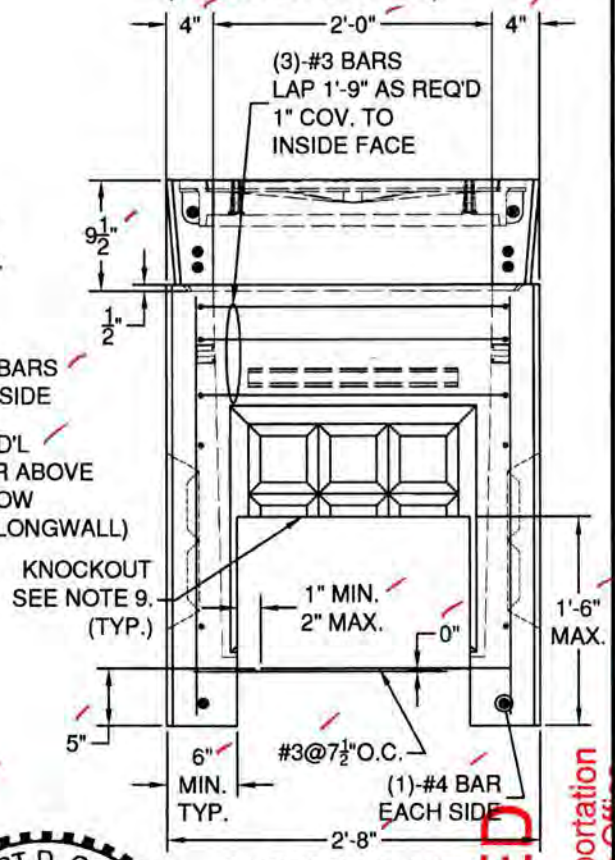


PLAN VIEW

PARTIAL PLAN VIEW (CORNER DETAIL)



ELEVATION VIEW (SIDEWALL W/REINFORCING SHOWN)



ELEVATION VIEW (ENDWALL W/REINFORCING SHOWN)

DESIGN NOTES:

1. CONCRETE STRENGTH=6,500 PSI
2. REINFORCING: BAR: ASTM A615, GRADE 60. WWR: ASTM A185, GRADE 65.
3. DESIGN PER ASTM C857 & ACI318.
4. 46,000 LB. SERVICE LIVE LOAD. 60,000 LB. PROOF LOAD.
5. EARTH FILL: AT GRADE
6. WATERTABLE AT LEAST 2'-6" BELOW GRADE
7. 60 PCF LATERAL EARTH PRESSURE WITH 100 PSF LIVE LOAD SURCHARGE.
8. 1" BAR COVER U.N.O.
9. PROVIDE 4X4 W2.9/W2.9 (MIN.) WWR CENTERED IN ALL KNOCKOUTS. EXTEND 6" MIN. BEYOND KNOCKOUT, IN ALL DIRECTIONS.



OPEN BOTTOM OPTION

PROJECT: <b>STANDARD</b>	STRUCTURE: <b>2X3 HD EV (WSDOT) 9" TOP</b>	CUSTOMER:
<p><b>GRANITE PRECASTING &amp; CONCRETE INC.</b> 4116 BAKERVIEW SPUR, BELLINGHAM, WA. 98226 (360) 671-2251 1-800-808-2251 FAX: (360) 671-0780</p>		DRAWN: SDG DATE: 2/17/10 SHEET: CHECKED: DATE: SCALE: 3/4"=1'-0" THIS DOCUMENT CONTAINS PROPRIETARY INFORMATION THAT SHALL NOT BE COPIED OR DISCLOSED TO OTHERS WITHOUT THE EXPRESS WRITTEN PERMISSION OF GRANITE PRECASTING AND CONCRETE.

APPROVED  
 Washington State  
 Department of Transportation  
 Traffic Operations Office  
 DATE: May 10, 2010 TAT

4/23/10

# 3711ZPT/3711CPT DI ASSEMBLY

**PRODUCT NUMBER**

**NPR10-590B**

**DESIGN FEATURES**

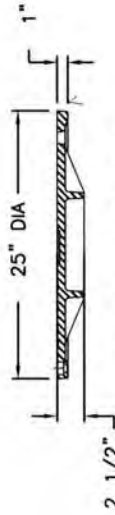
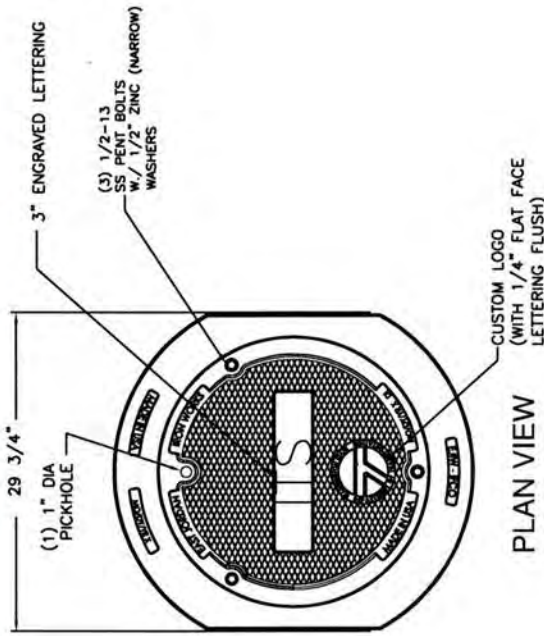
**MATERIALS**  
COVER-DUCTILE IRON  
ASTM A536  
FRAME-GRAY IRON  
ASTM A48 CL35B

**DESIGN LOAD**  
HEAVY DUTY

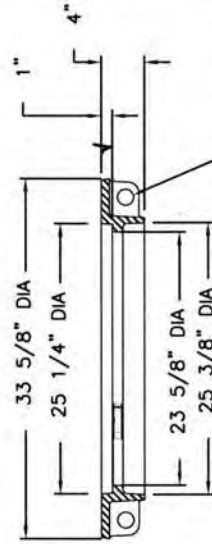
**COATING**  
UNDIPPED

**OPEN AREA**  
N/A

✓ DESIGNATES MACHINED SURFACE



**COVER SECTION**



**FRAME SECTION**

**APPROVED**

Washington State  
Department of Transportation  
HQ Traffic Operations Office  
DATE May 10, 2010 TAT

**REFERENCE INFORMATION**

00371113  
00371124

**DRAWING DETAILS**

**ORIGINAL DRAWING: DEF 03/18/10**

**REVISED BY:**

Call Today for More Information

800.626.4653

**EJIW EAST JORDAN** (EAST JORDAN WORKS EST. 1987)  
WE COVER YOUR INFRASTRUCTURE

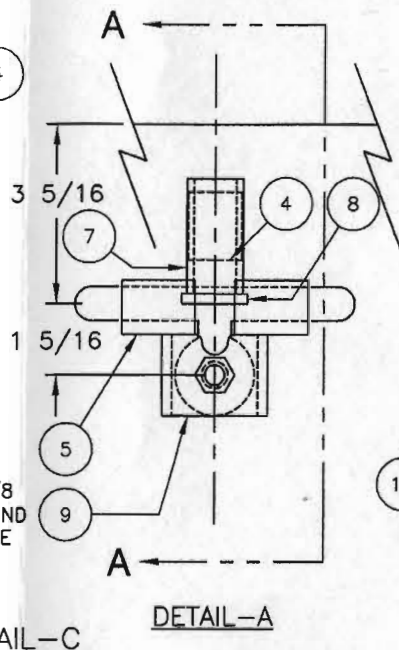
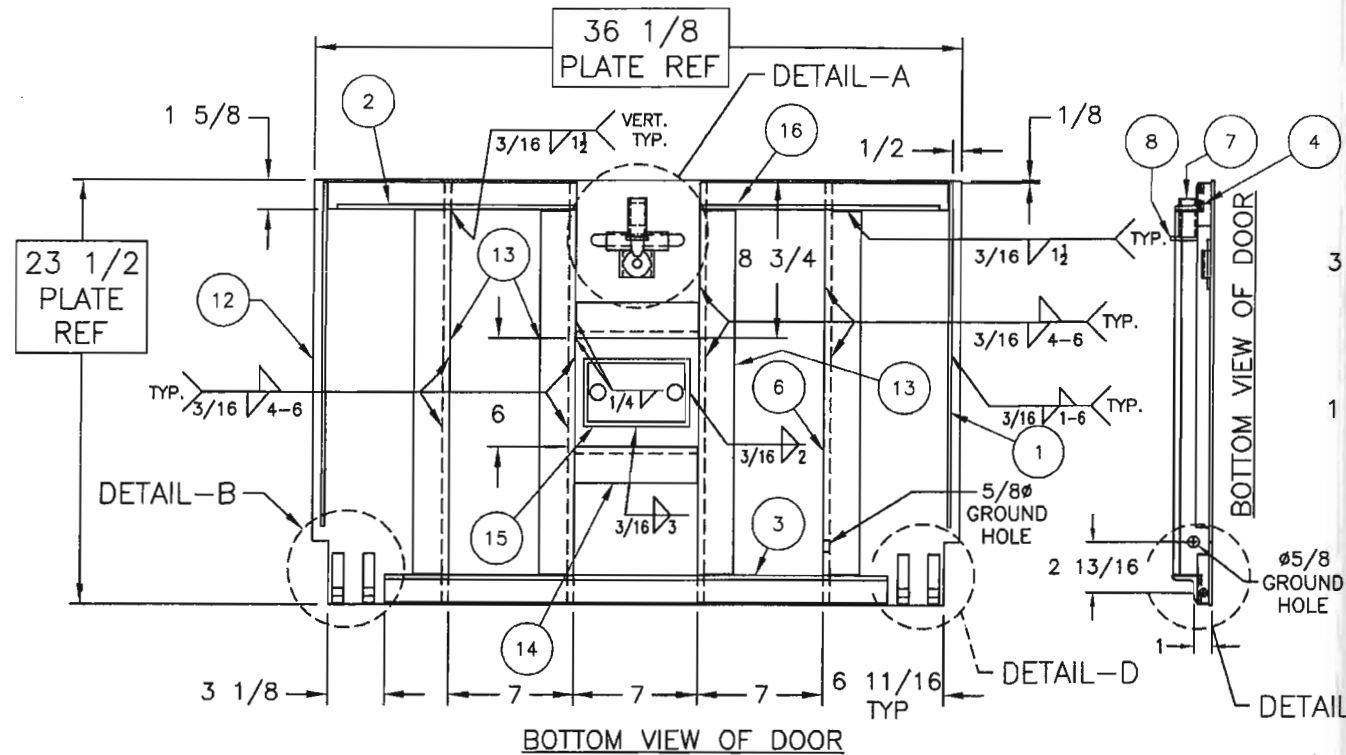
www.ejiw.com  
MADE IN THE USA

Corporate Headquarters  
301 Spring Street  
PO Box 439  
East Jordan, MI 49727-0439  
800.874.4100

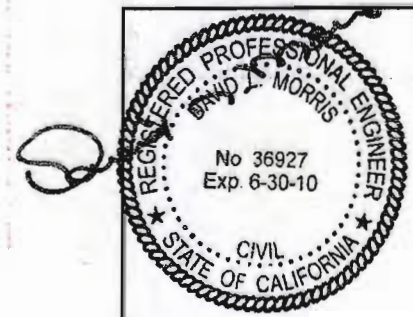
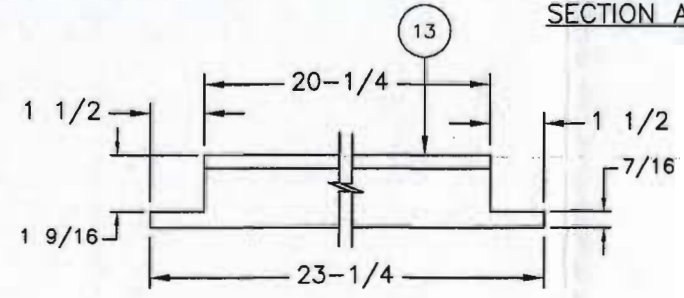
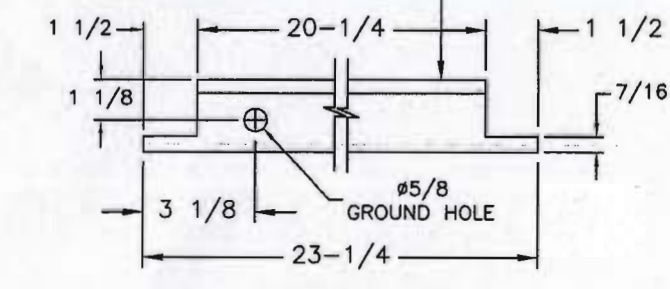
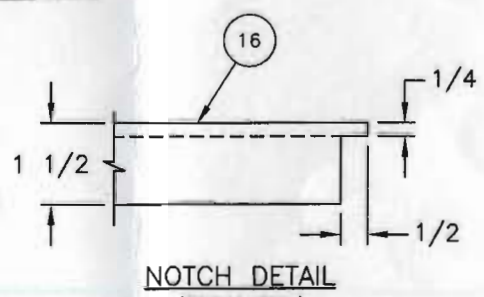
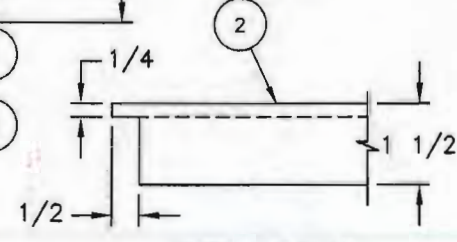
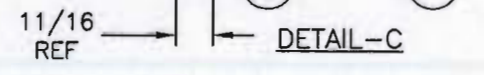
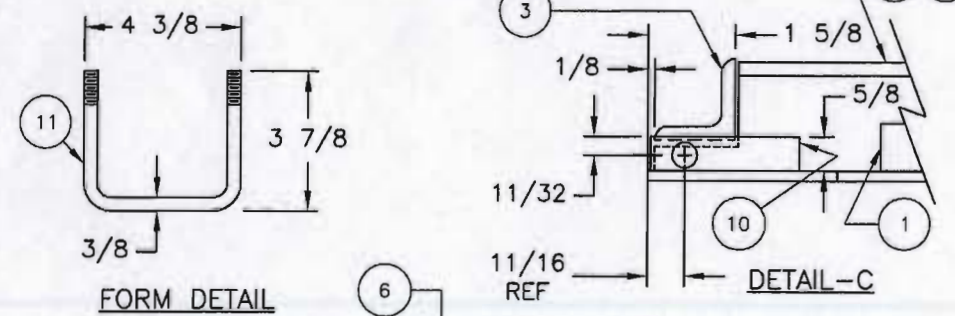
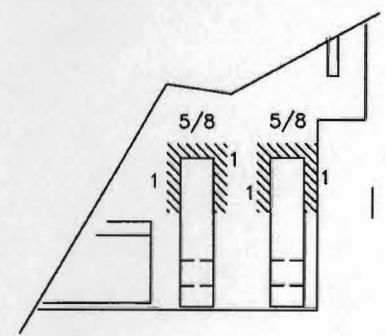
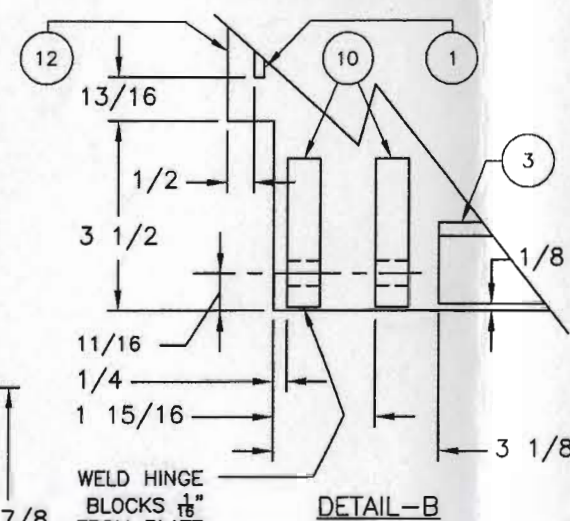
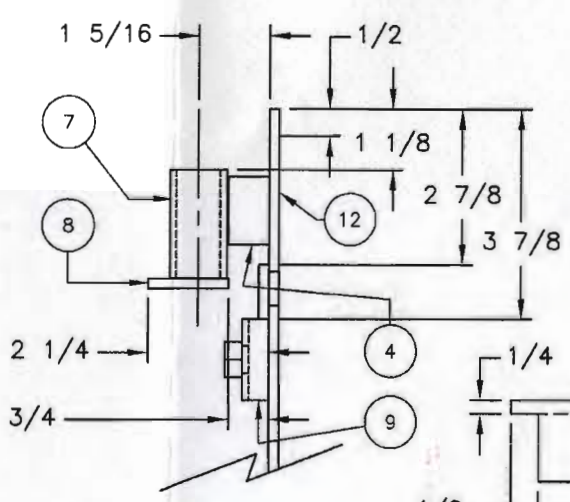
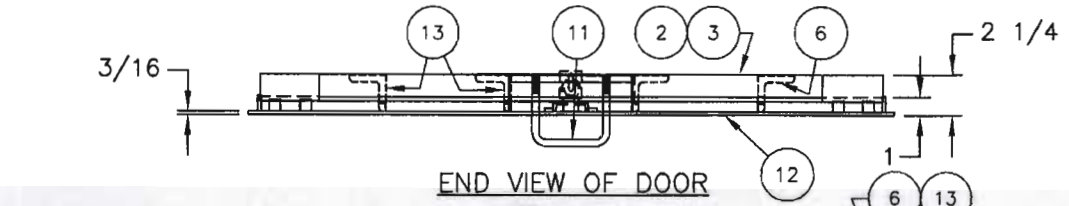
**EJ GROUP**

•Weights (lbs./kg.) dimensions (inches/mm.), and drawings provided for your guidance.  
•We reserve the right to modify specifications without prior notice.  
•Uncontrolled distribution.

CONFIDENTIAL: This drawing is the property of East Jordan Iron Works, Inc., and embodies confidential information, registered marks, trade secret information, and/or know how that is the property of East Jordan Iron Works, Inc. ©Copyright 2010 East Jordan Iron Works, Inc.



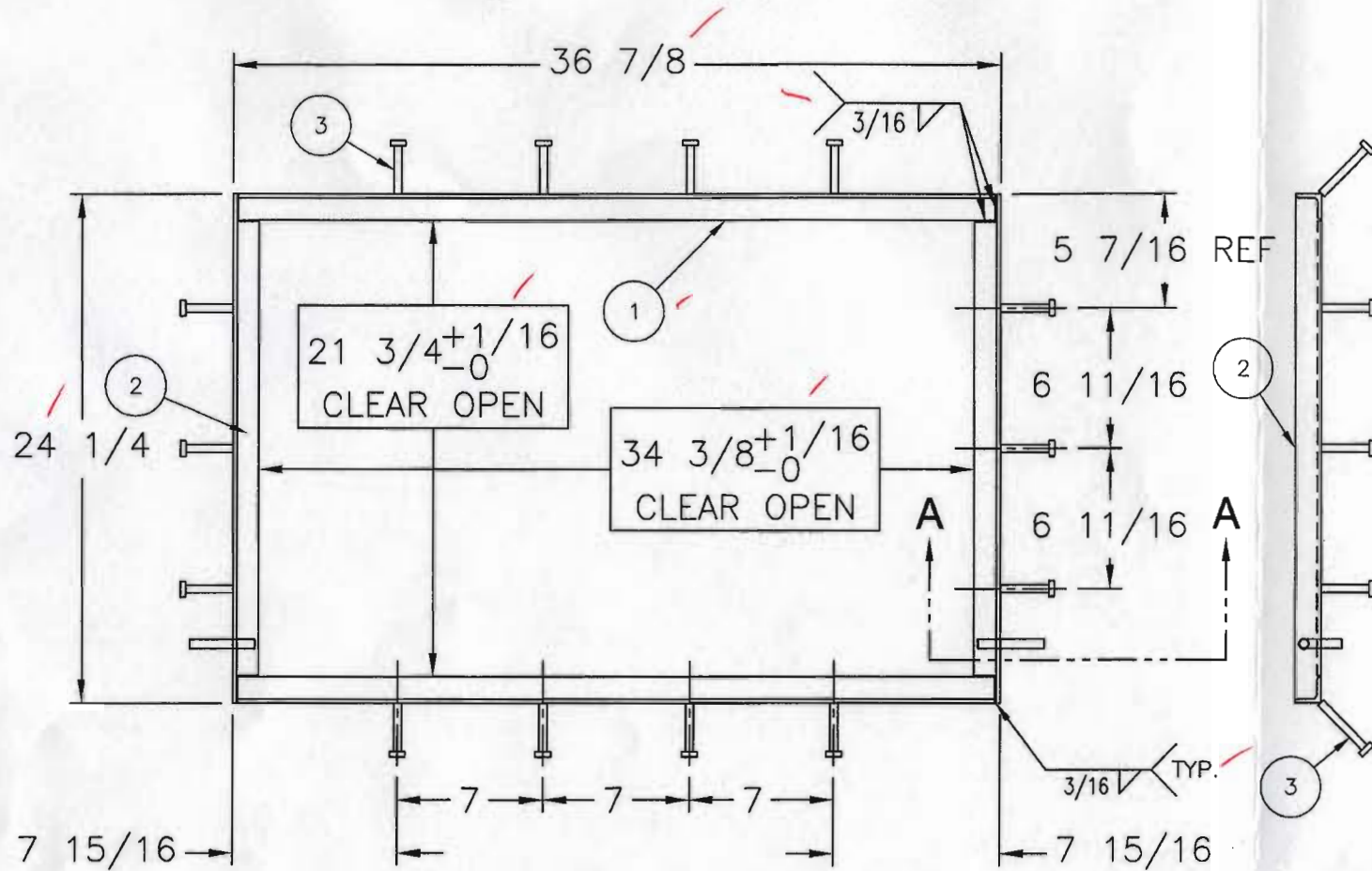
BILL OF MATERIALS				
Item	Qty	Name		Material
1	2	STRIP	3/16 X 3/4 X 19-1/16	STEEL
2	2	ANGLE	1-1/2 X 1-1/2 X 1/4 X 13-13/16	STEEL
3	1	ANGLE	1-1/2 X 1-1/2 X 1/4 X 28-1/8	STEEL
4	1	FLAT BAR	3/4 X 1 X 1-1/4	STEEL
5	2	STRIP	3/16 X 1 X 1-3/8	STEEL
6	1	ANGLE	2 X 2 X 3/8 X 23-1/4 WITH HOLE	STEEL
7	1	PIPE	3/4" SCH-40 X 2	STEEL
8	1	CAT #	IN-104 LATCH STOP	STEEL
9	1	CAT #	IN-105 LATCH CHANNEL	STEEL
10	4	CAT #	IN-107 PIVOT BLOCK	STEEL
11	1	CAT #	IN-108-THD LIFT HANDLE	STEEL
12	1	CAT #	35A152-P 3/16 FLOOR PLATE	STEEL
13	3	ANGLE	2 X 2 X 3/8 X 23-1/4	STEEL
14	2	ANGLE	2 X 2 X 3/8 X 6-15/16	STEEL
15	1	CAT #	ISP-200-WS, 3/16 THK BACK-UP PLATE	STEEL
16	1	ANGLE	1-1/2 X 1-1/2 X 1/4 X 13-13/16	STEEL



**APPROVED**  
 Washington State  
 Department of Transportation  
 HQ Traffic Operations Office  
 DATE: May 10, 2010 TAT

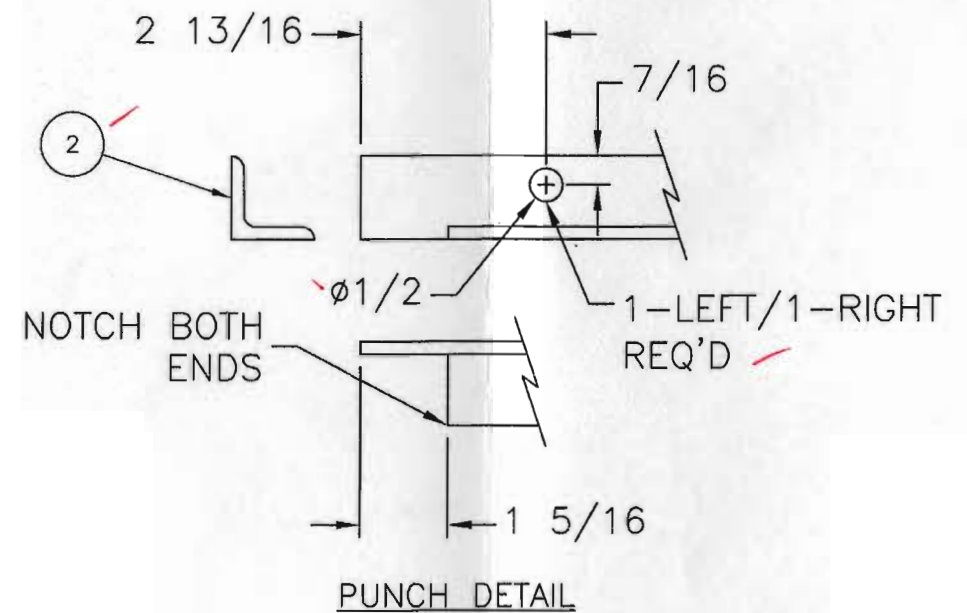
F	ADDED WELD DETAILS & DETAIL-C	11/17/09	SJ
E	ADDED ANOTHER NOTCH DET. VIEW FOR 1-2, CORRECTED ITEM 5 MATL. STP 3/16 X 1/2 X 2-3/4 TO STP 3/16 X 1 X 1-3/8.	10/03/07	LJN
REV	DESCRIPTION OF MODIFICATION	DATE	BY
<b>PROPRIETARY INFORMATION</b>			
<small>THIS DRAWING ENDS PROPRIETARY AND CONFIDENTIAL INFORMATION AND IS LOANED BY INVESCO WITH THE UNDERSTANDING THAT IT WILL NOT BE DISCLOSED IN PART OR WHOLE, AND/OR USED FOR ANY OTHER PURPOSE OTHER THAN MAINTENANCE OR INSTALLATION, UNLESS EXPRESSLY AUTHORIZED IN WRITING BY INVESCO INCORPORATED.</small>			
<b>INWESCO</b> <small>746 N. Coney Avenue          Azusa, California 91702          626.334.9304</small>		<small>TITLE</small> COVER 24" X 36" "ITS" SINGLE, NON-TORSION, 180-DEG, H-20 LOADING, HDG	<small>DATE</small> 08/17/06
<small>DRAWN BY</small> LJN	<small>CAT #</small> 35A152-D	<small>WEIGHT</small> 110 LBS.	<small>REVISION</small> F

BILL OF MATERIALS			
Item	Qty	Name	Material
1	2	L 1-1/4 X 1-1/4 X 3/16 X 36-3/8	STEEL
2	2	L 1-1/4 X 1-1/4 X 3/16 X 24-1/4	STEEL
3	14	CAT# HW-STUD38-300	STEEL
4	2	CAT# IN-109	STEEL

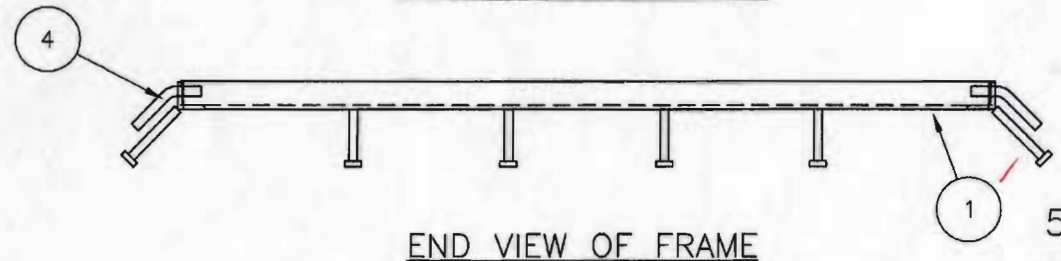


PLAN VIEW OF FRAME

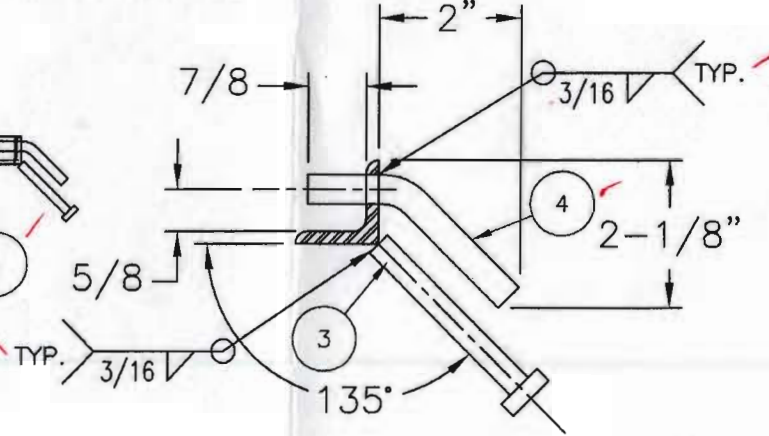
SIDE VIEW OF FRAME



PUNCH DETAIL

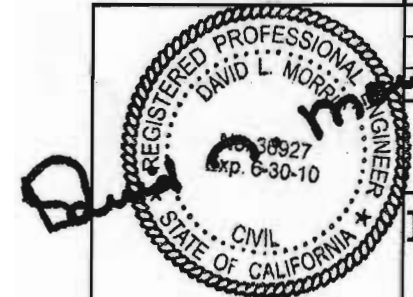


END VIEW OF FRAME



SECTION A-A

**APPROVED**  
 Washington State  
 Department of Transportation  
 HQ Traffic Operations Office  
 DATE May 10, 2010 TAT



DESCRIPTION OF MODIFICATION		DATE	BY
<b>PROPRIETARY INFORMATION</b>			
<small>THIS DRAWING EMBODIES PROPRIETARY AND CONFIDENTIAL INFORMATION AND IS LOANED BY INVESCO WITH THE UNDERSTANDING THAT IT WILL NOT BE DISCLOSED IN PART OR WHOLE, AND/OR USED FOR ANY OTHER PURPOSE OTHER THAN MAINTENANCE OR INSTALLATION, UNLESS EXPRESSLY AUTHORIZED IN WRITING BY INVESCO INCORPORATED.</small>			
TITLE		"ITS" FRAME FOR "24 X 36" COVER SINGLE NON-TOR 180-DEG, HDG	
DATE	CAT #	WEIGHT	
01/22/10	35A152WS-F	17 LBS.	
DRAWN BY		REVISION	
SJ			

**INVESCO**  
 746 N. Coney Avenue  
 Azusa, California 91702  
 626.334.8304