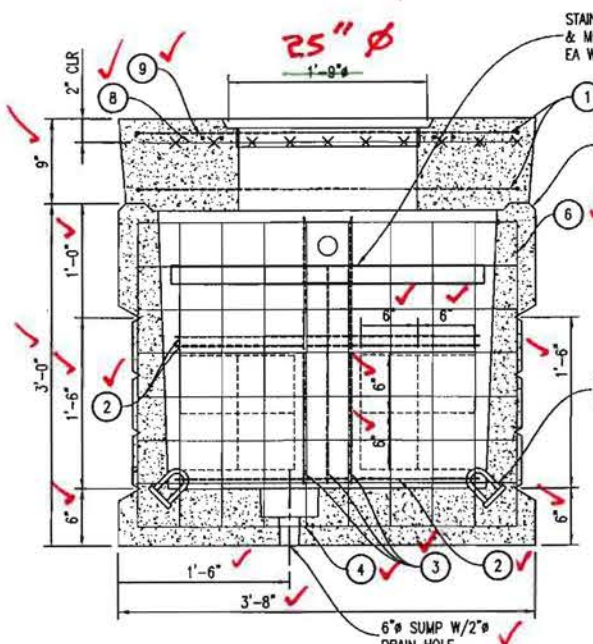


TOP VIEW

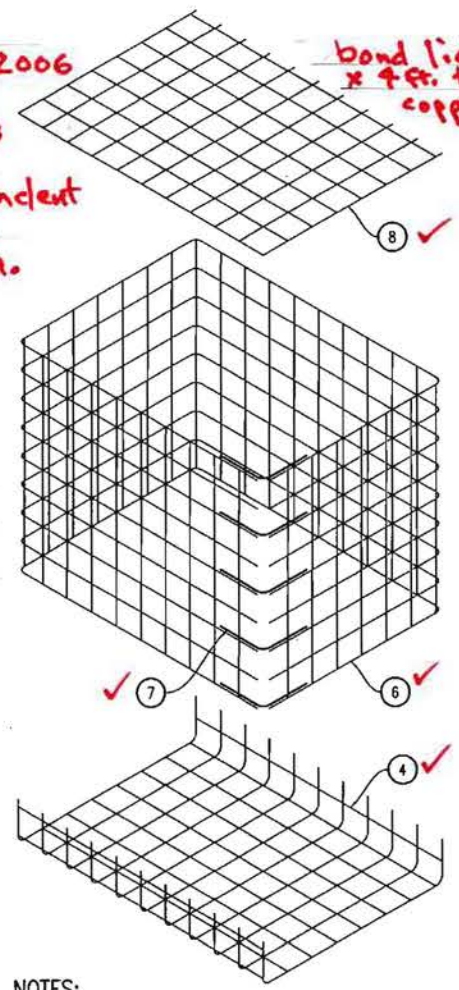
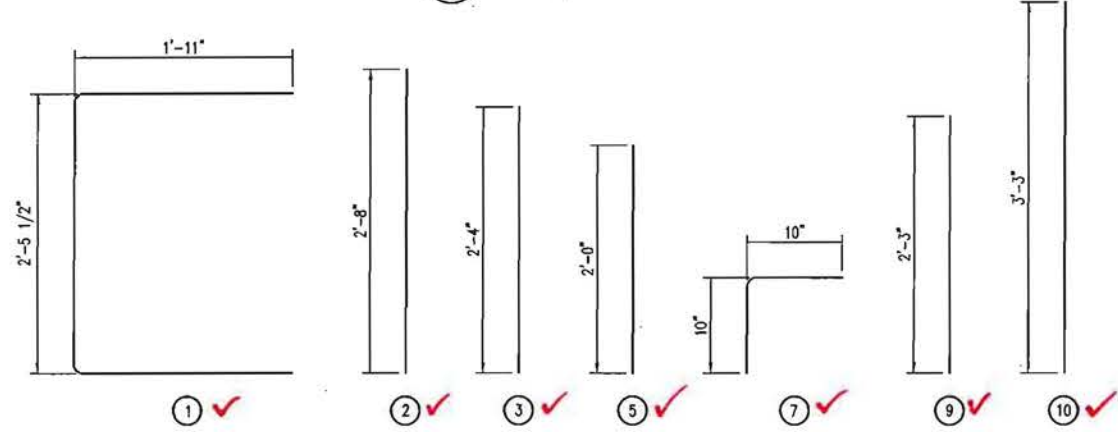


SECTION VIEW

#4 through cored hole in frame 3711ZPT. 12 inch lap & wire tie to #3 bar. Typical 4 places.

see WSDOT Ammendment to Standard Specifications, Dec. 9, 2006 for design requirements & test procedures. Acceptance of this pull box is based on materials requirements & receipt of independent testing lab results stating pull box meets or exceeds testing criteria.

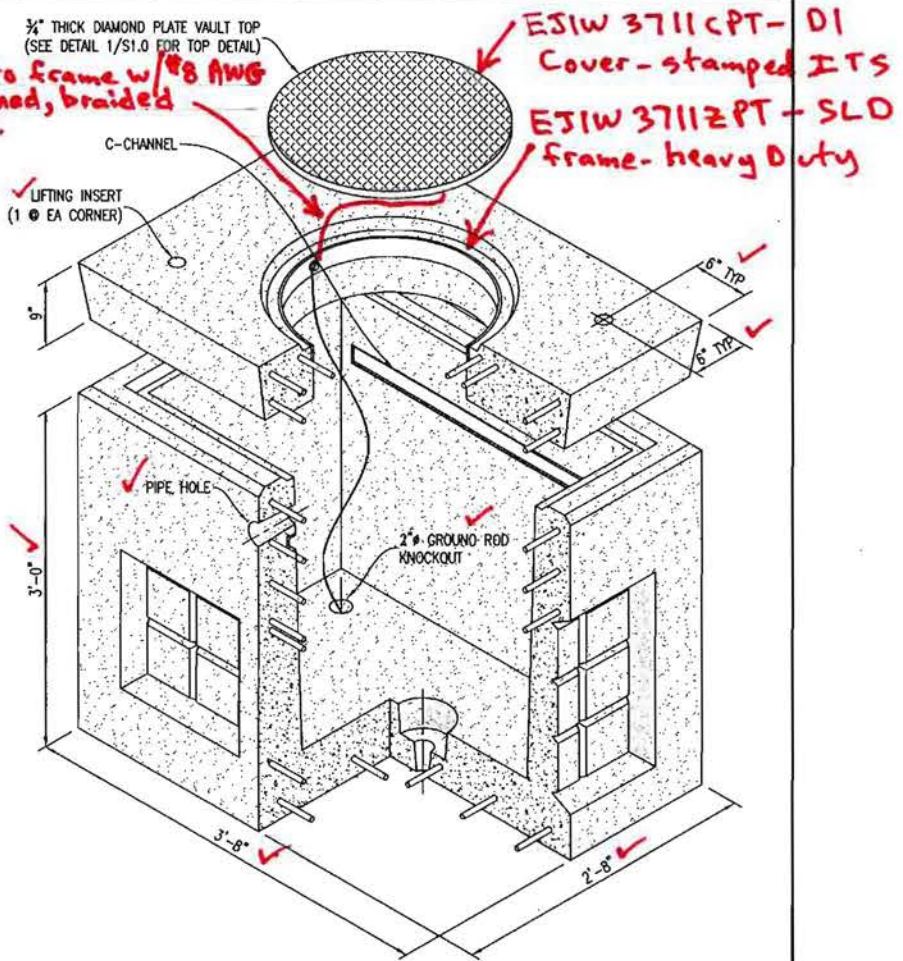
1 PULL BOX DETAIL
1" = 1'-0"



2 STEEL MESH ISOMETRIC
3/4" = 1'-0"

NOTES:

1. SHOP CUT WELDED WIRE MESH FOR BLOCKOUTS. PROVIDE #3 TRIMMING BARS 9 & 10 AROUND BLOCKOUTS AS SHOWN.



3 ISOMETRIC ASSEMBLY
1" = 1'-0"

DESIGN PARAMETERS:

- AASHTO STANDARD SPECIFICATIONS FOR HIGHWAY BRIDGES
- ACI-318-02 BUILDING CODE
- ASTM C857 MINIMUM STRUCTURAL DESIGN LOADING FOR UNDERGROUND PRECAST CONCRETE UTILITY STRUCTURES

LOADS:

- 150 pcf CONCRETE DENSITY
- 120 pcf SOIL DENSITY
- AASHTO H-35-S28 WHEEL LOAD W/30% IMPACT
- AASHTO LIVE LOAD SURCHARGE (2' SOIL)
- EFFECTIVE SOIL PRESSURE = 45 pcf
- NO WATERTABLE

MATERIALS:

- CONCRETE - 28 DAY COMPRESSION STRENGTH $f'_c = 6000$ psi
- REBAR - ASTM A706 GRADE 60 $f_y = 60$ ksi (WELDABLE)
- ASTM A82/A185 $f_y = 65$ ksi (WELDED WIRE MESH)
- THE ROLLS OF WELDED WIRE MESH SHALL BE STRAIGHTENED & CUT TO SIZE BEFORE PLACEMENT.
- 3/4" DIAMOND PLATE COVER - ASTM A36 $F_y = 36$ ksi

SOIL COVER:

NO SOIL COVER - TOP OF COVER @ GRADE

APPROVED AS NOTED
Washington State
Department of Transportation
HQ Traffic Operations Office
DATE TAT August 7, 2007

PART	DESCRIPTION	QTY	SIZE	WT. LBS
1	#3 ASTM A706 GRADE 60	4	SEE DRAWING	-
2	#3 ASTM A706 GRADE 60	6	STRAIGHT 2'-8"	-
3	#3 ASTM A706 GRADE 60	10	STRAIGHT 2'-4"	-
4	4x4 - W4.0xW4.0	1	SEE DETAIL 2/S1.0	-
5	#3 ASTM A706 GRADE 60	6	STRAIGHT 2'-0"	-
6	4x4 - W4.0xW4.0	1	SEE DETAIL 2/S1.0	-
7	#3 ASTM A706 GRADE 60	5	SEE DRAWING	-
8	4x4 - W4.0xW4.0	1	SEE DETAIL 2/S1.0	-
9	#3 ASTM A706 GRADE 60	4	STRAIGHT 2'-3"	-
10	#3 ASTM A706 GRADE 60	2	STRAIGHT 3'-3"	-

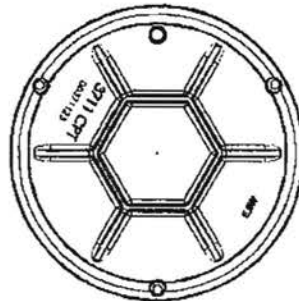
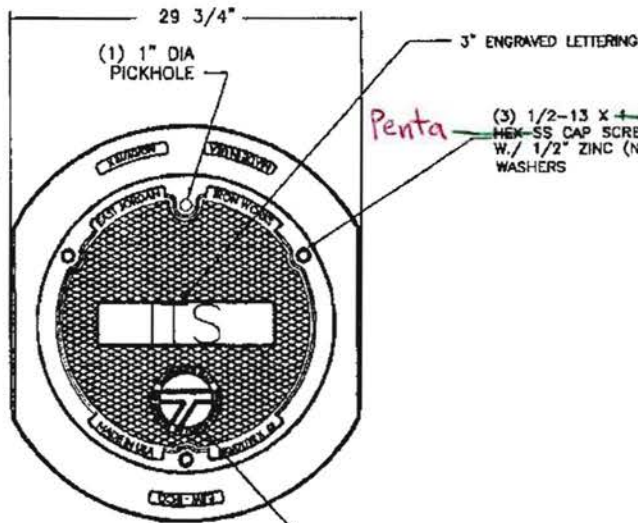
* 1'-0" OVERLAP FOR PART (4)



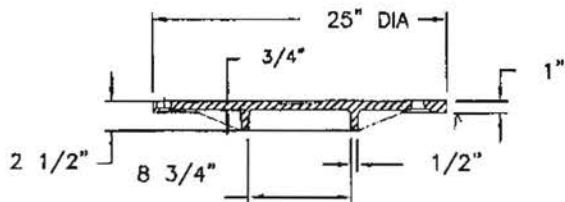
TYPE 233 PULL BOX (H35)

SCALE: SEE DETAILS DWG BY: KWT
SHEET: S1.0 CHK BY: TCL/JBR
JOB NO: 06106 DATE: 05.15.07

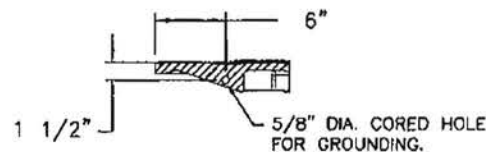
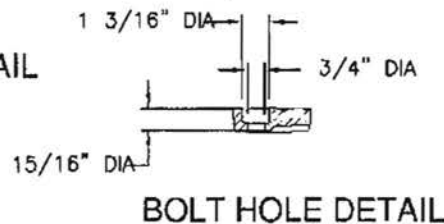
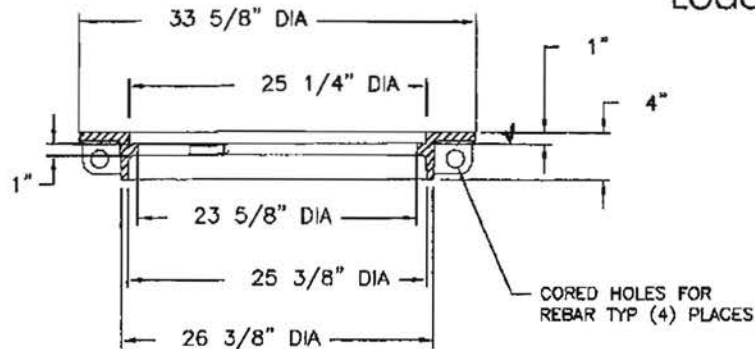
FOGTITE INCORPORATED



CUSTOM LOGO
(WITH 1/4" FLAT FACE
LETTERING FLUSH)



APPROVED AS NOTED
 Washington State
 Department of Transportation
 I&Q Traffic Operations Office
 DATE August 21, 2008 TAT



EJIW EAST JORDAN
IRON WORKS EST. 1863

800-626-4653
www.ejiw.com
MADE IN USA

PRODUCT NUMBER
00371101

CATALOG NUMBER
3711CPT DI
3711ZPT

**MANHOLE
ASSEMBLY**

LOAD RATING
HEAVY DUTY

COATING
UNDIPPED

ESTIMATED WEIGHT
FRAME: 133 LBS 60kg
COVER: 99 LBS 45kg
UNIT: 232 LBS 105kg

MATERIAL SPECIFICATION
FRAME - CAST IRON
ASTM A48 CL35B
COVER - DUCTILE IRON
ASTM A536

OPEN AREA
N/A

∇ DESIGNATES MACHINED
SURFACE

DRAWN
DEW

DATE
05/13/08

LAST REVISED
JJD

DATE
05/22/08

REFERENCE INFORMATION

00371124
00371113