

STRUCTURAL NOTES

1. CONCRETE: 28 DAY COMPRESSIVE STRENGTH $f_c = 4000$ psi
2. REBAR: ASTM A-615 GRADE 60
3. MESH: ASTM A-185 GRADE 65
4. DESIGN: ACI-318-05 BUILDING CODE
5. LOADS: STANDARD DUTY LOADING, 22,500 lbs
 ASTM C-857 "MINIMUM STRUCTURAL DESIGN LOADING FOR UNDERGROUND PRECAST CONCRETE UTILITY STRUCTURES"
 30% IMPACT FOR LESS THAN 2'-0" SOIL COVER
 SOIL DENSITY 120 pcf
 40 pcf E.F.P. LATERAL SOIL PRESSURE ABOVE WATERTABLE
 80 pcf E.F.P. LATERAL SOIL PRESSURE BELOW WATERTABLE
 230 psf LIVE LOAD SURCHARGE
 NO LIVE LOAD SURCHARGE FOR SOIL COVER > 8'-0"
 TOP OF VAULT AT FINISHED GRADE
 WATERTABLE 5'-0" BELOW FINISHED GRADE (ASSUMED)

NOTE:
 PENTA HEAD BOLT IS RECESSED
 MINIMUM $\frac{1}{8}$ " BELOW PLATE SURFACE.
 PENTA HEAD BOLT TO BE LIBERALLY
 COATED WITH ANTI-SEIZE COMPOUND.

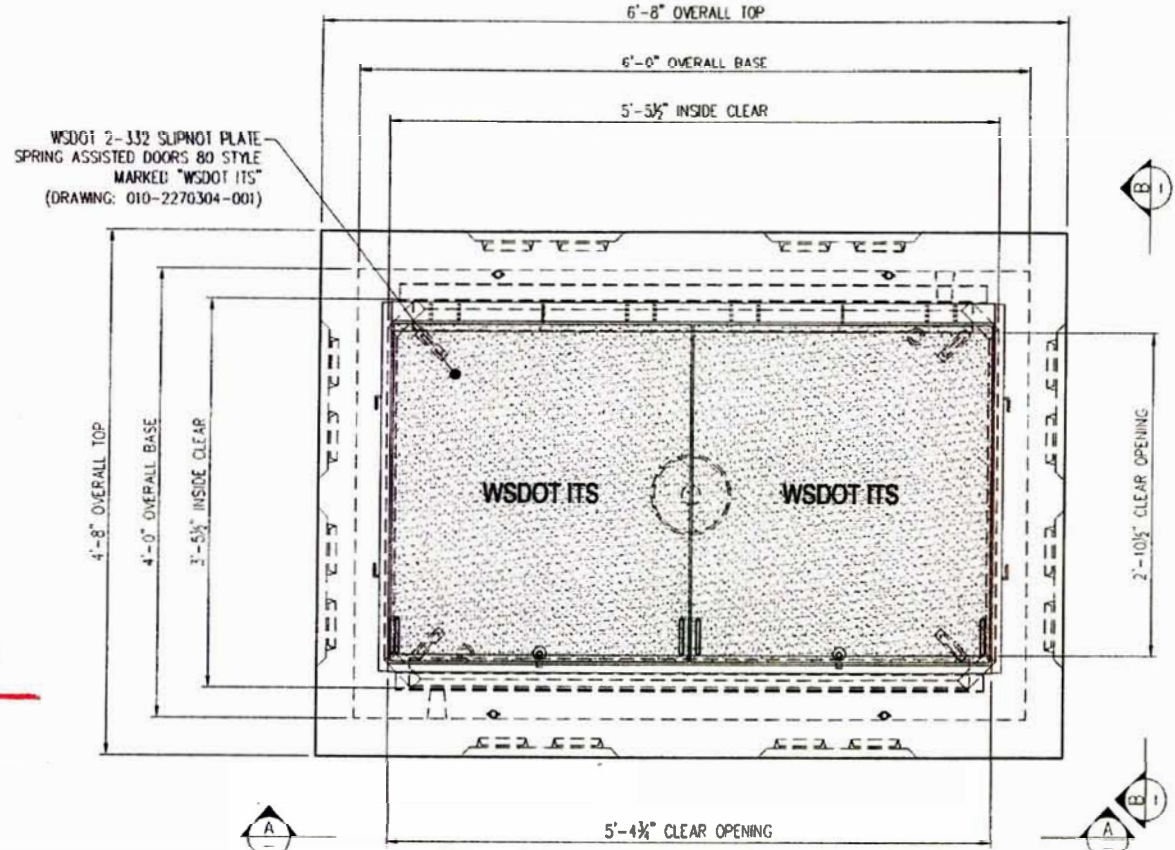
GENERAL NOTES

1. CUSTOMER TO:
 VERIFY ALL VAULT FEATURES
 DO ALL GROUTING & EPOXY OF VAULTS, HOLES & SEAMS
 (USING NON-SHRINK GROUT)
 SUPPLY & INSTALL ALL PIPING & ELECTRICAL
 INSTALL ALL LADDERS
 DO ALL PAINTING

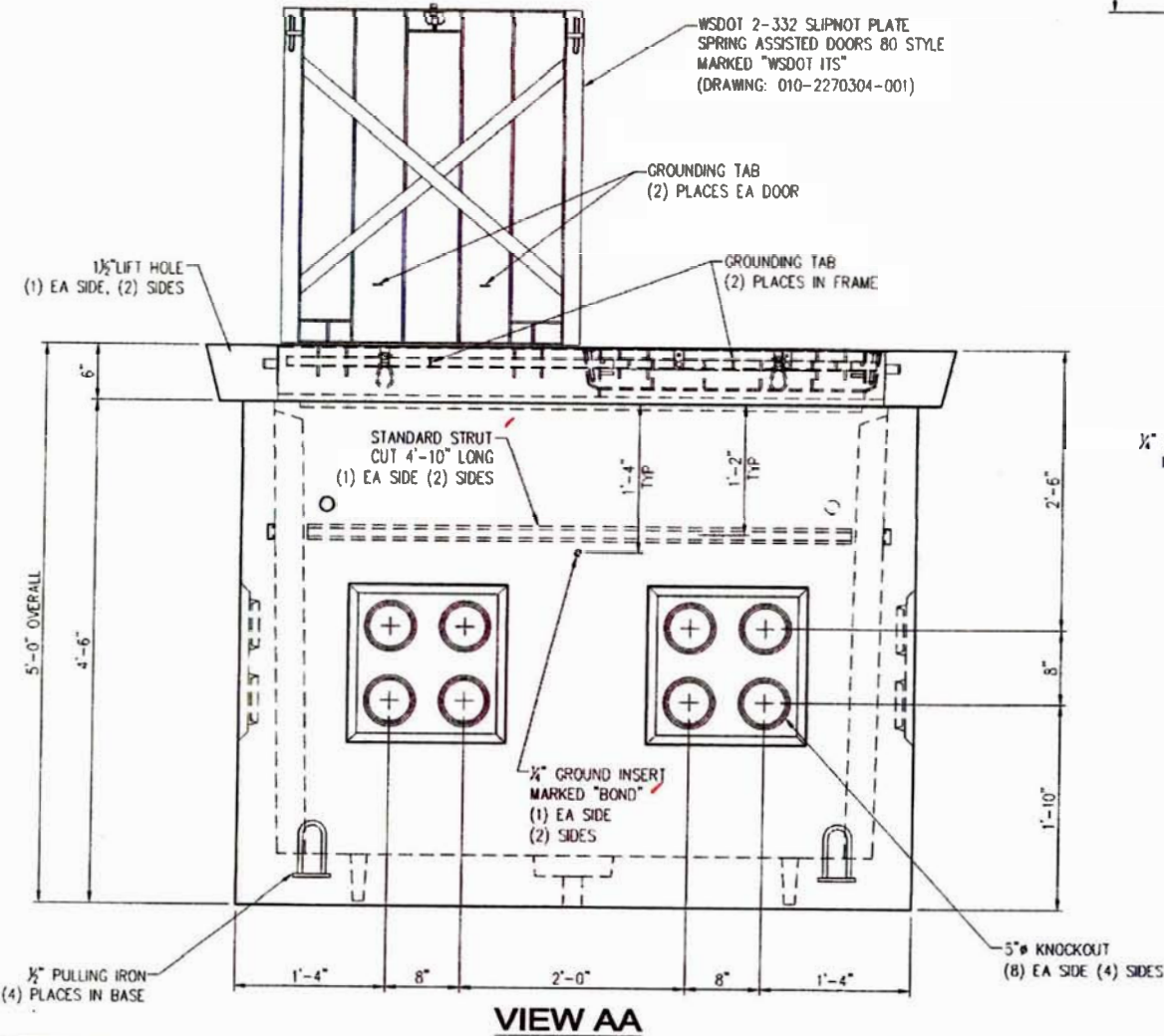
SHIPPING WEIGHT

64-2-33F COVER:	1,375 lbs
645 CABLE BASE:	4,770 lbs
TOTAL:	6,145 lbs

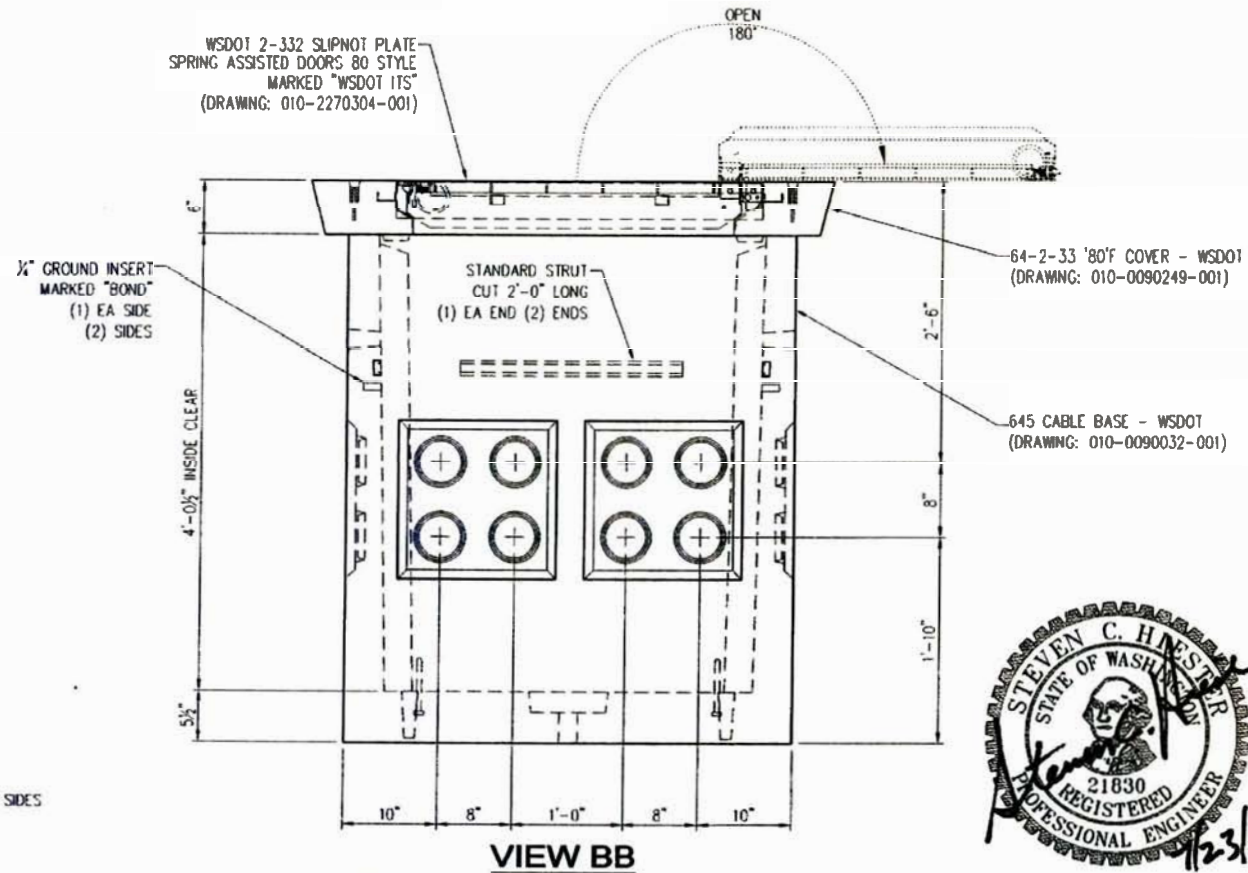
APPROVED
 Washington State
 Department of Transportation
 HQ Traffic Operations Office
 DATE July 30, 2012 TAT



PLAN VIEW



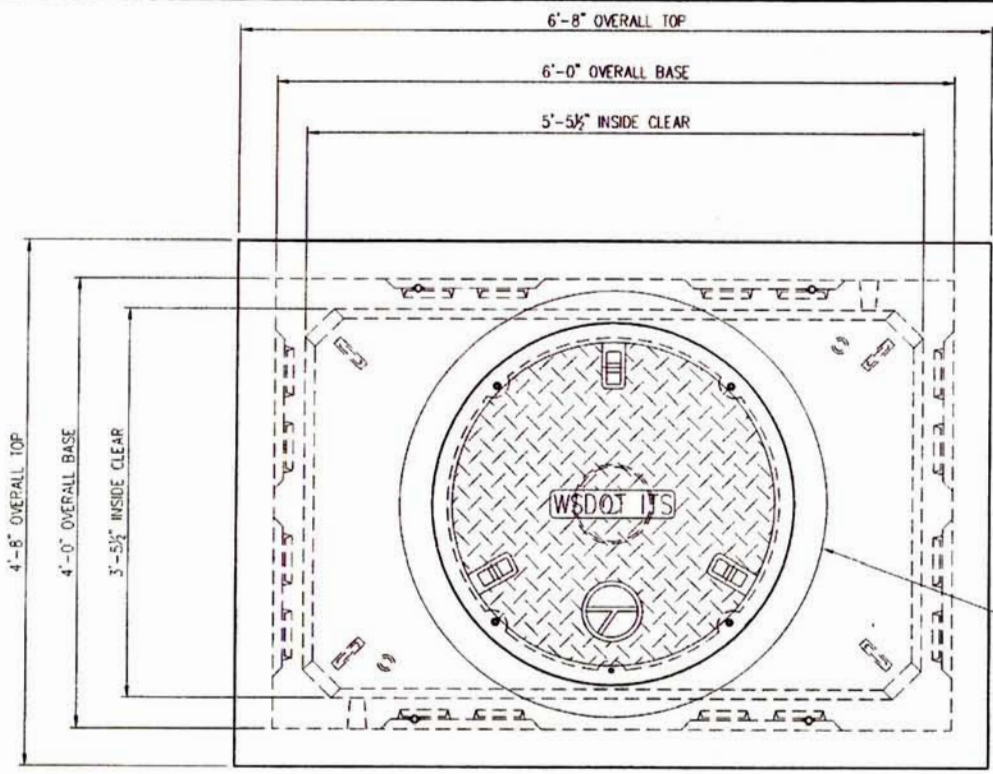
VIEW AA



VIEW BB



G	CHANGED NAME OF COVER IN CALLOUT	9/8/11	CDR	THIS DOCUMENT IS THE PROPERTY OF OLDCASTLE PRECAST, INC. IT IS LOANED TO YOU FOR YOUR USE ONLY AND SHALL NOT BE USED IN ANY WAY IN VIOLATION OF THE INTERESTS OF SAID COMPANY. COPYRIGHT © 2011 Oldcastle Precast, Inc. All Rights Reserved.	SALES	DATE	4/6/10	Oldcastle Precast P.O. BOX 546 AUBURN, WA 99001-0546 PHONE: 509-922-1630 FAX: 509-922-0301	645 STD DUTY CABLE VAULT - WSDOT 645 VAULT: 5'-5.5" L x 3'-5.5" W x 4'-0.5" H (INSIDE) CUSTOMER STANDARD PRODUCT	CUSTOMER WASHINGTON STATE D.O.T. DRAWING NUMBER: 010-X806410-001	SHEET 1 OF 1 REVISION G
-	(SEE CAD FILE FOR COMPLETE REVISION HISTORY)	-	-		DESIGNER	WEIGHT	6,345 lbs				
LTR.	REVISION	DATE	BY		CHECKED	CALC NO					



PLAN VIEW

NOTE:
 PENTA HEAD BOLT IS RECESSED
 MINIMUM 1/8" BELOW PLATE SURFACE
 PENTA HEAD BOLT TO BE LIBERALLY
 COATED WITH ANTI-SEIZE COMPOUND.

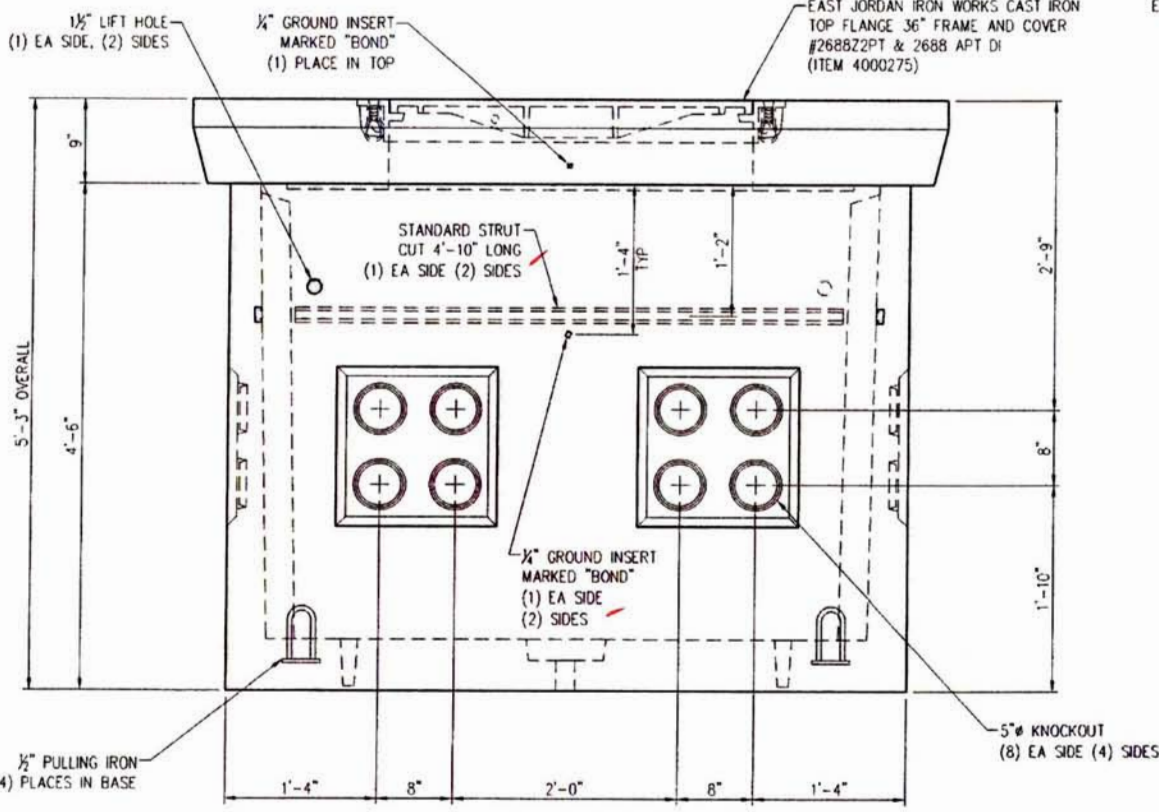
- STRUCTURAL NOTES**
1. CONCRETE: 28 DAY COMPRESSIVE STRENGTH $f'_c = 4000$ psi
 2. REBAR: ASTM A-615 GRADE 60
 3. MESH: ASTM A-185 GRADE 65
 4. DESIGN: ACI-318-05 BUILDING CODE
 5. LOADS: HEAVY DUTY LOADING, 46,000 lbs
 ASTM C-857 "MINIMUM STRUCTURAL DESIGN LOADING FOR UNDERGROUND PRECAST CONCRETE UTILITY STRUCTURES"
 30% IMPACT FOR LESS THAN 2'-0" SOIL COVER
 SOIL DENSITY 120 pcf
 40 pcf E.F.P. LATERAL SOIL PRESSURE ABOVE WATERTABLE
 80 pcf E.F.P. LATERAL SOIL PRESSURE BELOW WATERTABLE
 230 psf LIVE LOAD SURCHARGE
 NO LIVE LOAD SURCHARGE FOR SOIL COVER > 8'-0"
 TOP OF VAULT AT FINISHED GRADE
 WATERTABLE 5'-0" BELOW FINISHED GRADE (ASSUMED)

- GENERAL NOTES**
1. CUSTOMER TO:
 VERIFY ALL VAULT FEATURES
 DO ALL GROUTING & EPOXY OF VAULTS, HOLES & SEAMS
 (USING NON-SHRINK GROUT)
 SUPPLY & INSTALL ALL PIPING & ELECTRICAL
 INSTALL ALL LADDERS
 DO ALL PAINTING

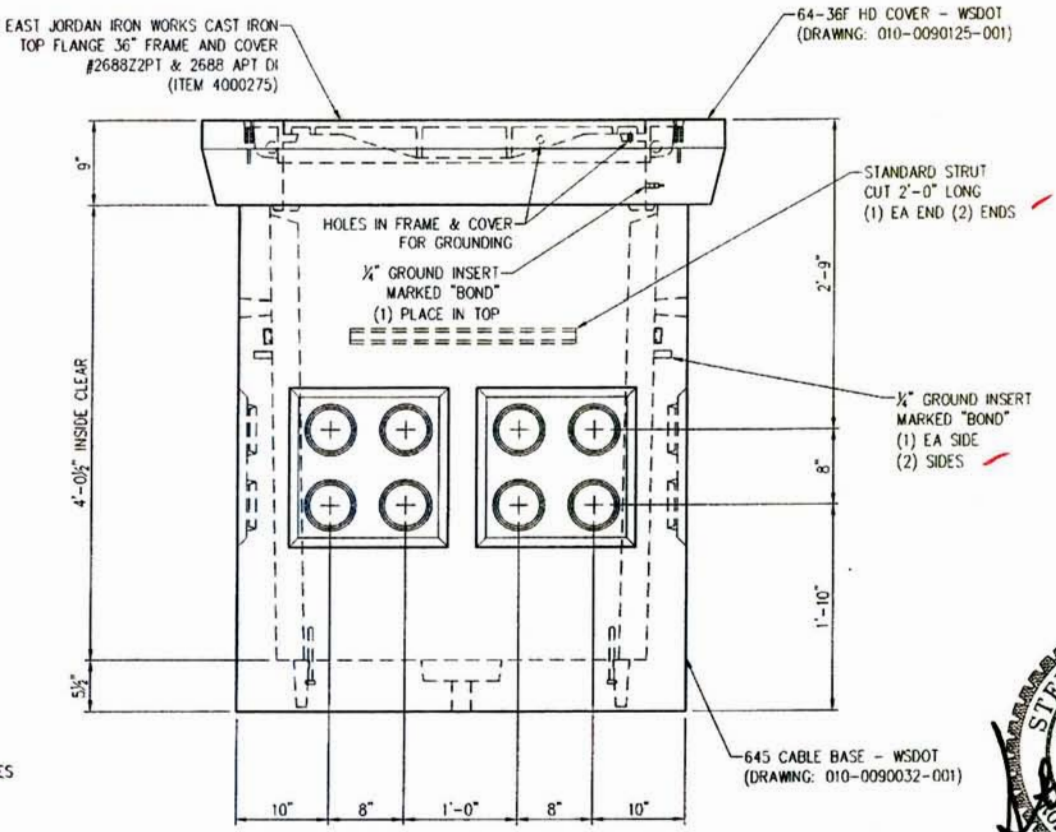
SHIPPING WEIGHT

64-36F HD COVER:	3,170 lbs
645 CABLE BASE:	4,770 lbs
TOTAL:	7,940 lbs

APPROVED
 Washington State
 Department of Transportation
 HQ Traffic Operations Office
 DATE July 30, 2012 TRT



VIEW AA



VIEW BB



E	CHANGED DRAWING NUMBER	10/17/11	MLF	THIS DOCUMENT IS THE PROPERTY OF OLDCASTLE PRECAST, INC. IT IS SUBMITTED FOR REFERENCE PURPOSES ONLY AND SHALL NOT BE USED IN ANY WAY INJURIOUS TO THE INTERESTS OF SAID COMPANY. COPYRIGHT © 2011 Oldcastle Precast, Inc. All Rights Reserved.	SALES	DATE	4/6/10
-	(SEE CAD FILE FOR COMPLETE REVISION HISTORY)	-	-		DESIGNER	JC	WEIGHT
LTR.	REVISION	DATE	BY	CHECKED		CALC NO	



645 HVY DUTY CABLE VAULT - WSDOT
 645 VAULT: 5'-5.5" x 3'-5.5" W x 4'-0.5" H (INSIDE)
 CUSTOMER STANDARD PRODUCT

CUSTOMER	WASHINGTON STATE D.O.T.	SHEET	1 of 1
DRAWING NUMBER	010-X806410-002	REVISION	E

STRUCTURAL NOTES

1. CONCRETE: 28 DAY COMPRESSIVE STRENGTH $f'c = 4000$ psi
2. REBAR: ASTM A-615 GRADE 60
3. MESH: ASTM A-185 GRADE 65
4. DESIGN: ACI-318-05 BUILDING CODE
5. LOADS: STANDARD DUTY LOADING, 22,500 lbs
ASTM C-857 "MINIMUM STRUCTURAL DESIGN LOADING FOR UNDERGROUND PRECAST CONCRETE UTILITY STRUCTURES"
30% IMPACT FOR LESS THAN 2'-0" SOIL COVER
SOIL DENSITY 120 pcf
40 pcf E.F.P. LATERAL SOIL PRESSURE ABOVE WATERTABLE
80 pcf E.F.P. LATERAL SOIL PRESSURE BELOW WATERTABLE
230 psf LIVE LOAD SURCHARGE
NO LIVE LOAD SURCHARGE FOR SOIL COVER > 8'-0"
TOP OF VAULT AT FINISHED GRADE
WATERTABLE 5'-0" BELOW FINISHED GRADE (ASSUMED)

NOTE:

PENTA HEAD BOLT IS RECESSED
MINIMUM $\frac{1}{8}$ " BELOW PLATE SURFACE.

PENTA HEAD BOLT TO BE LIBERALLY
COATED WITH ANTI-SEIZE COMPOUND.

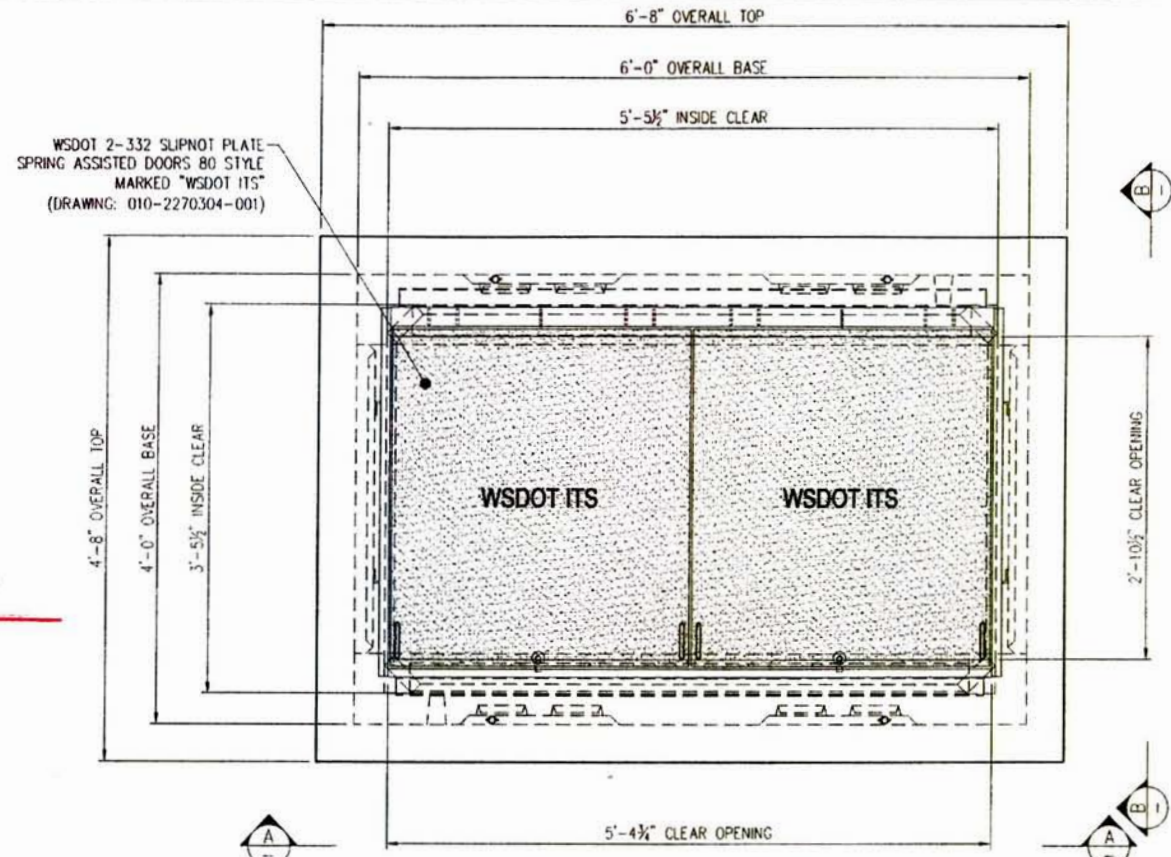
GENERAL NOTES

1. CUSTOMER TO:
VERIFY ALL VAULT FEATURES
DO ALL GROUTING & EPOXY OF VAULTS, HOLES & SEAMS
(USING NON-SHRINK GROUT)
SUPPLY & INSTALL ALL PIPING & ELECTRICAL
INSTALL ALL LADDERS
DO ALL PAINTING

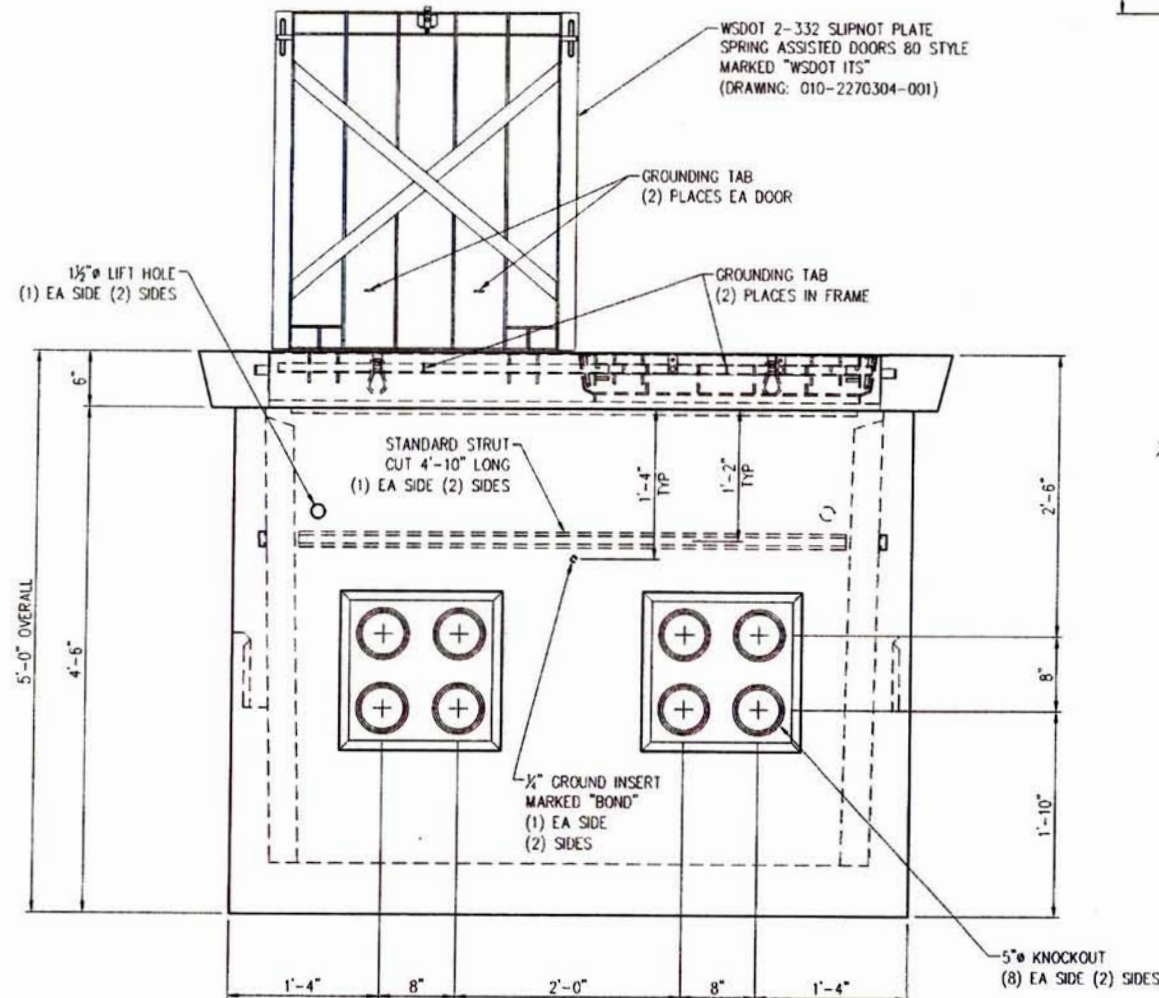
SHIPPING WEIGHT

64-2-33F COVER:	1,375 lbs
645 SPLIT CABLE BASE:	3,210 lbs
TOTAL:	4,585 lbs

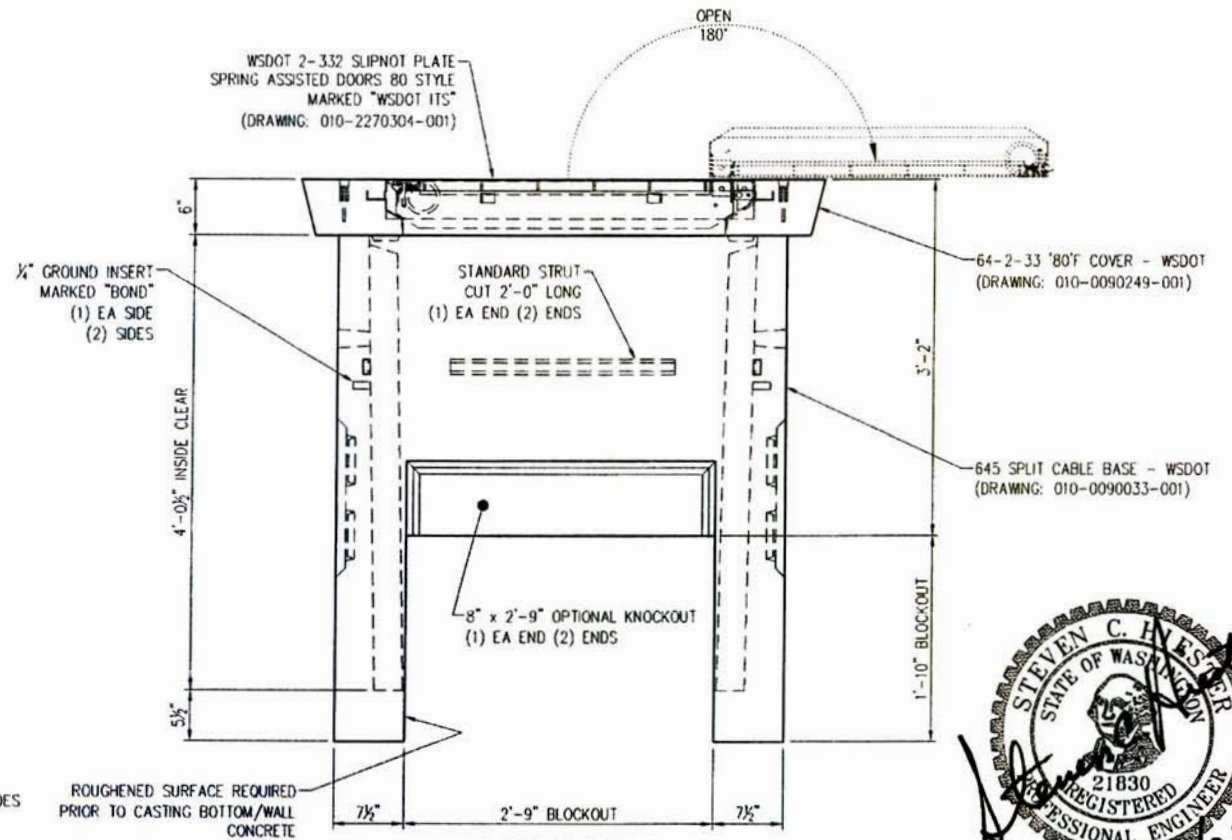
APPROVED
Washington State
Department of Transportation
HQ Traffic Operations Office
DATE July 30, 2012 TAT



PLAN VIEW



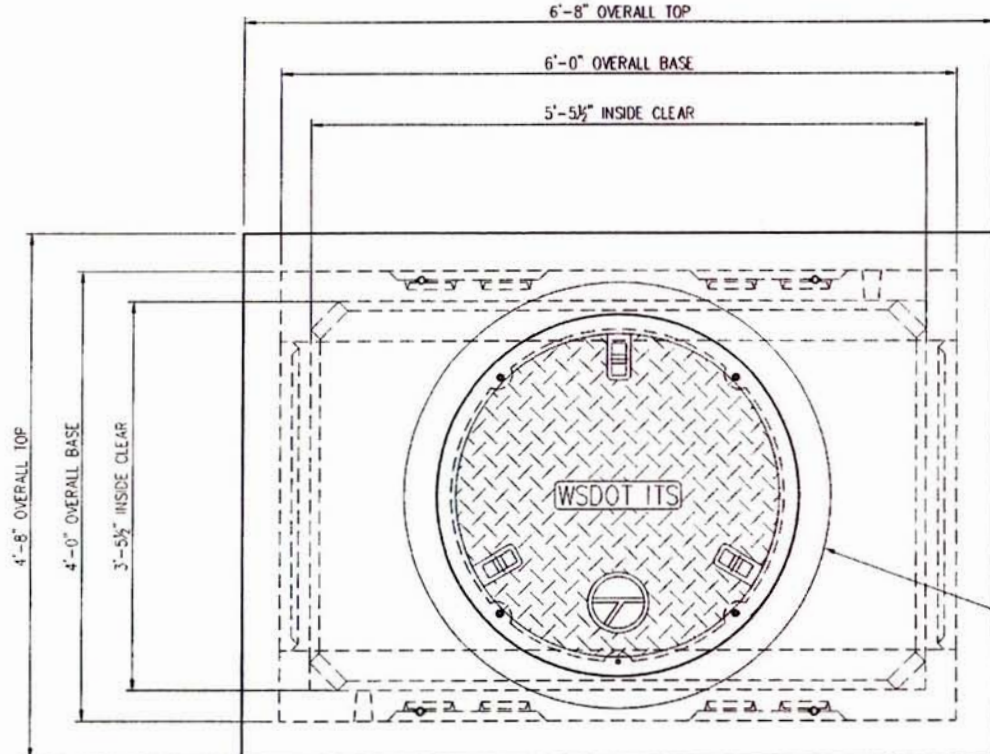
VIEW AA



VIEW BB



G	CHANGED NAME OF COVER IN CALLOUT	9/8/11	CDR	THIS DOCUMENT IS THE PROPERTY OF OLDCASTLE PRECAST, INC. IT IS SUBMITTED FOR REFERENCE PURPOSES ONLY AND SHALL NOT BE USED IN ANY WAY BELONGING TO THE INTERESTS OF SAID COMPANY. COPYRIGHT © 2011 Oldcastle Precast, Inc. All Rights Reserved.	SALES	DATE	4/6/10	<p>P.O. BOX 308 AUBURN, WA 98001-0308 PHONE: 800-892-1538 FAX: 253-735-0261</p>	645 STD DUTY SPLIT CABLE VAULT - WSDOT	CUSTOMER	WASHINGTON STATE D.O.T.	SHEET	
-	(SEE CAD FILE FOR COMPLETE REVISION HISTORY)	-	-		DESIGNER	JG	WEIGHT		4,785 lbs	645 VAULT: 5'-5.5"L x 3'-5.5"W x 4'-0.5"H (INSIDE)	DRAWING NUMBER	010-X806410-003	1 of 1
LTR	REVISION	DATE	BY		CHECKED	CALC NO	CUSTOMER STANDARD PRODUCT				REVISION	G	



PLAN VIEW

NOTE:
 PENTA HEAD BOLT IS RECESSED
 MINIMUM 1/8" BELOW PLATE SURFACE.
 PENTA HEAD BOLT TO BE LIBERALLY
 COATED WITH ANTI-SEIZE COMPOUND.

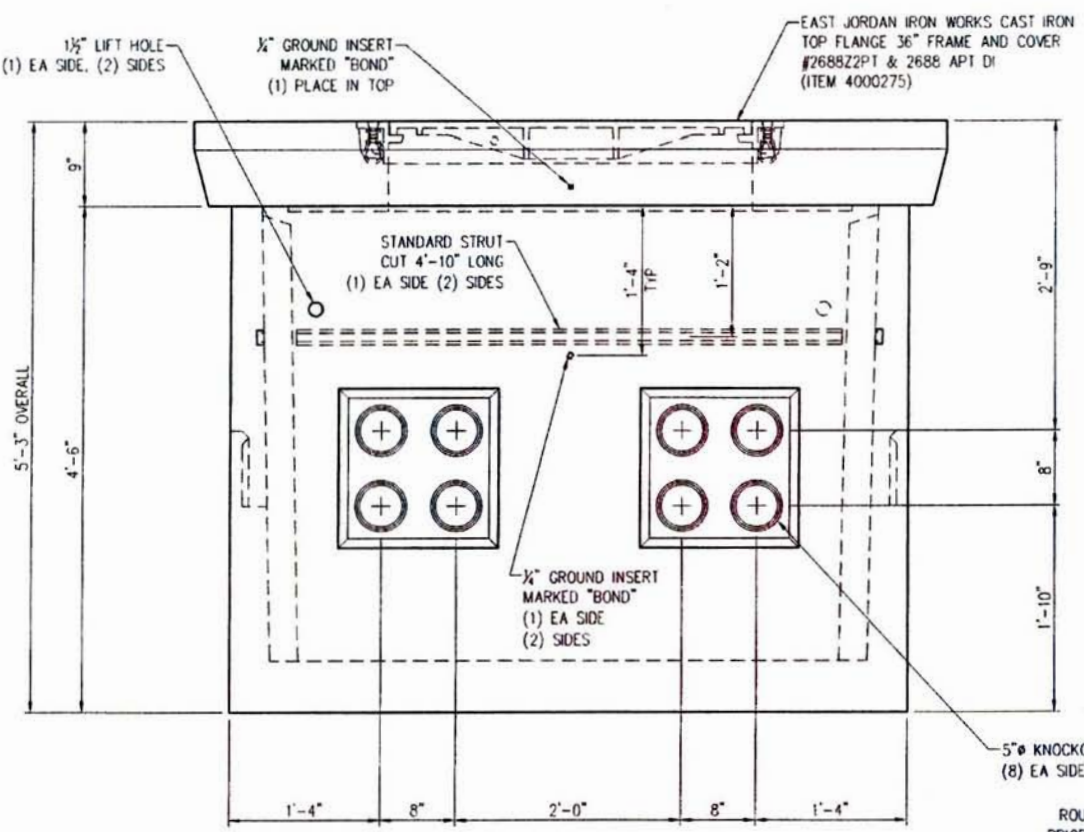
APPROVED
 Washington State
 Department of Transportation
 HQ Traffic Operations Office
 DATE July 30, 2012 TAT

- STRUCTURAL NOTES**
1. CONCRETE: 28 DAY COMPRESSIVE STRENGTH $f'_c = 4000$ psi
 2. REBAR: ASTM A-615 GRADE 60
 3. MESH: ASTM A-185 GRADE 65
 4. DESIGN: ACI-318-05 BUILDING CODE
 5. LOADS: HEAVY DUTY LOADING, 46,000 lbs
 ASTM C-857 "MINIMUM STRUCTURAL DESIGN LOADING FOR UNDERGROUND PRECAST CONCRETE UTILITY STRUCTURES"
 30% IMPACT FOR LESS THAN 2'-0" SOIL COVER
 SOIL DENSITY 120 pcf
 40 pcf E.F.P. LATERAL SOIL PRESSURE ABOVE WATERTABLE
 80 pcf E.F.P. LATERAL SOIL PRESSURE BELOW WATERTABLE
 230 psf LIVE LOAD SURCHARGE
 NO LIVE LOAD SURCHARGE FOR SOIL COVER > 8'-0"
 TOP OF VAULT AT FINISHED GRADE
 WATERTABLE 5'-0" BELOW FINISHED GRADE (ASSUMED)

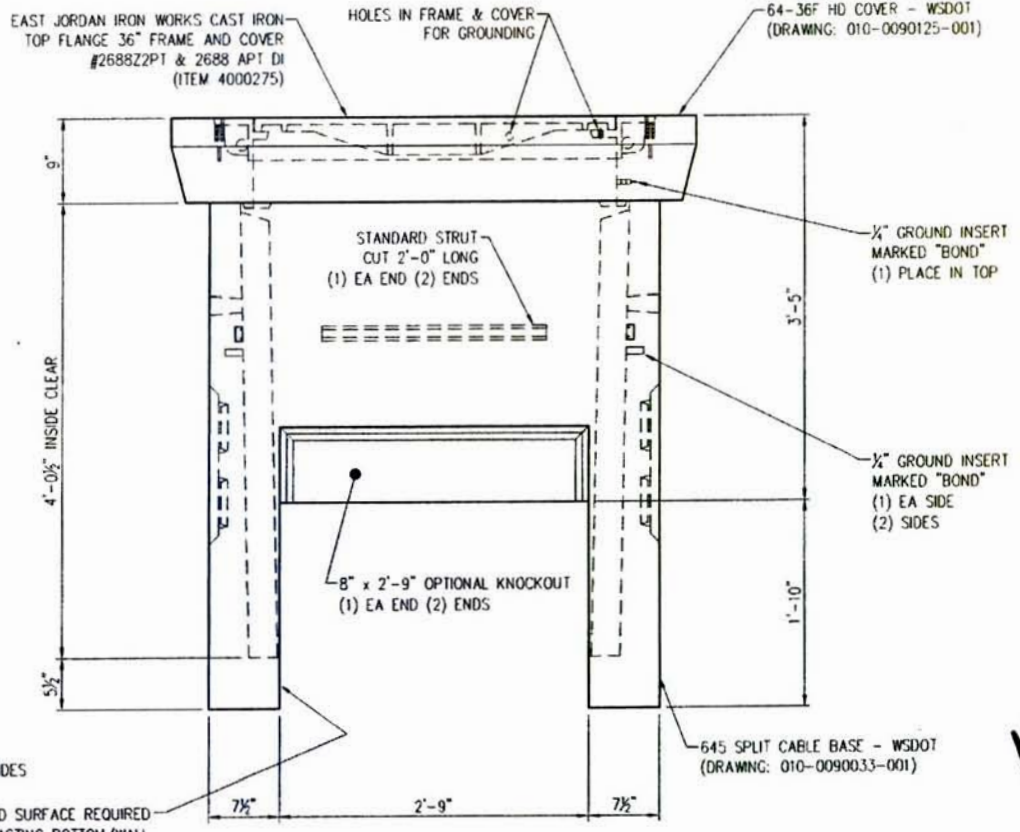
- GENERAL NOTES**
1. CUSTOMER TO:
 VERIFY ALL VAULT FEATURES
 DO ALL GROUTING & EPOXY OF VAULTS, HOLES & SEAMS
 (USING NON-SHRINK GROUT)
 SUPPLY & INSTALL ALL PIPING & ELECTRICAL
 INSTALL ALL LADDERS
 DO ALL PAINTING

SHIPPING WEIGHT

64-36F HD COVER:	3,170 lbs
645 SPLIT CABLE BASE:	3,210 lbs
TOTAL:	6,380 lbs



VIEW AA

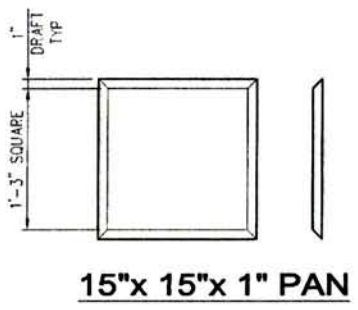
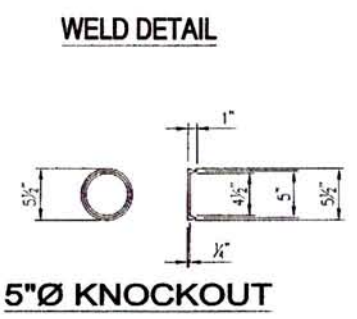
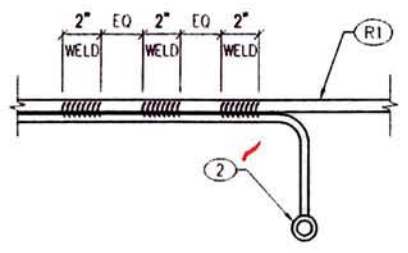
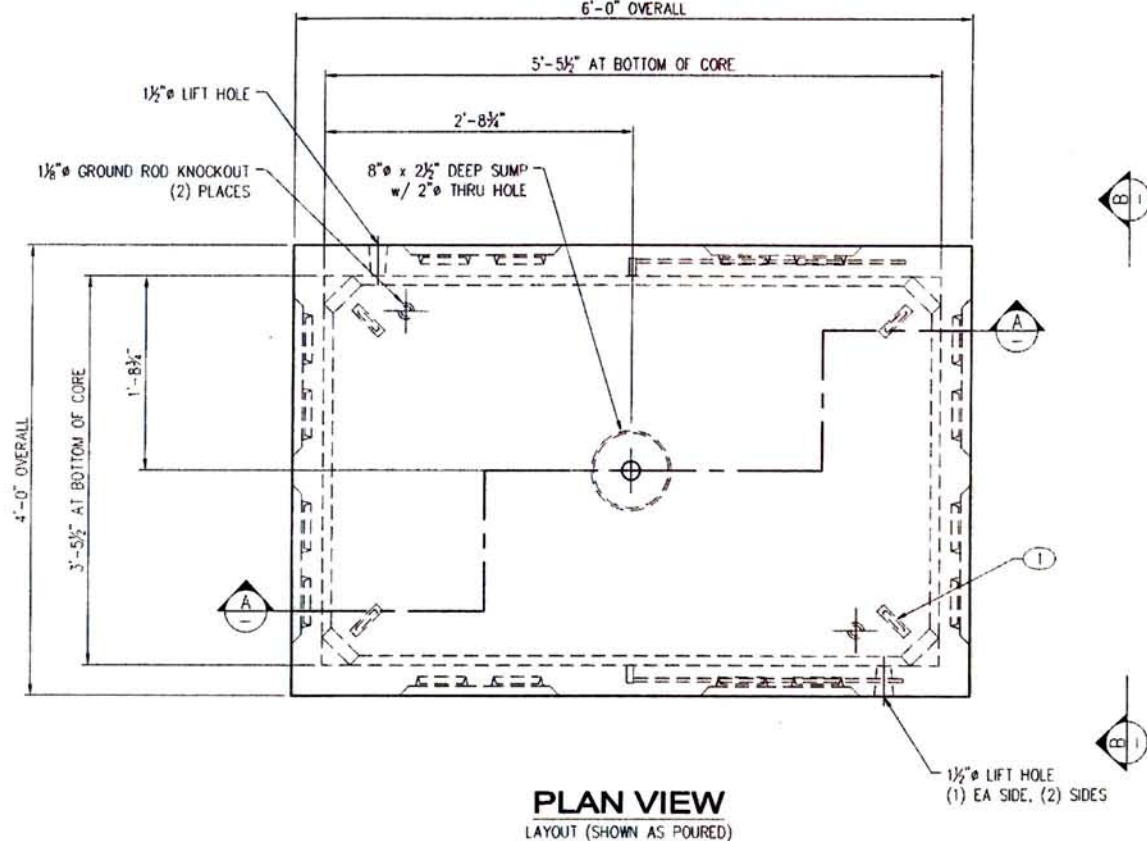


VIEW BB



E	CHANGED DRAWING NUMBER	10/17/11	MLF	THIS DOCUMENT IS THE PROPERTY OF Oldcastle Precast, Inc. IT IS SUBMITTED FOR REFERENCE PURPOSES ONLY AND SHALL NOT BE USED IN ANY WAY INJURIOUS TO THE INTERESTS OF SAID COMPANY. COPYRIGHT © 2011 Oldcastle Precast, Inc. All Rights Reserved.	SALES	DATE	4/6/10	645 HVY DUTY SPLIT CABLE VAULT - WSDOT 645 VAULT: 5'-5.5"L x 3'-5.5"W x 4'-0.5"H (INSIDE)	CUSTOMER WASHINGTON STATE D.O.T.	SHEET 1 OF 1	
	-	(SEE CAD FILE FOR COMPLETE REVISION HISTORY)	-		-	DESIGNER	JC				WEIGHT
LTR.	REVISION	DATE	BY	CHECKED	CALC	NO		CUSTOMER STANDARD PRODUCT			





- SHOP NOTES**
1. USE "660 LA BASE w/645 PALLET" STEEL FORM
 2. CONCRETE FINISH: FLAT FLOAT FINISH WITH MACHINED EDGES
 3. FLIP METHOD: TRUNNION
 4. FILL GROUND INSERT WITH GREASE & INSTALL CAP PROTECTOR
 5. MARK GROUND INSERTS "BOND" IN 2" LETTERS WITH GREEN PAINT

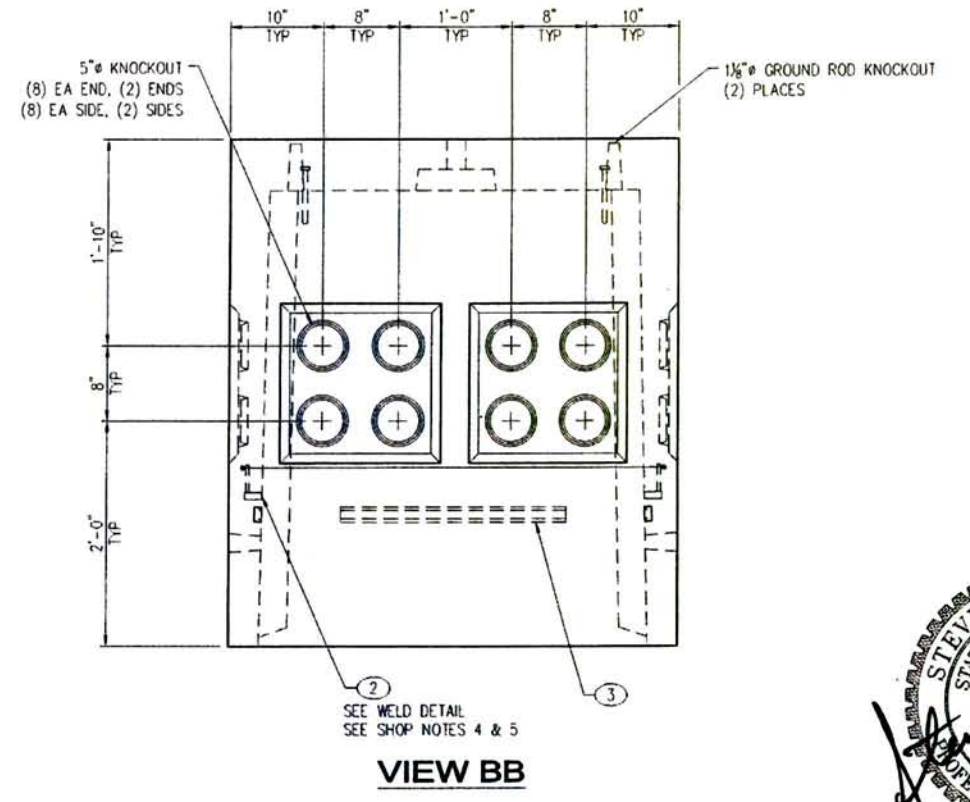
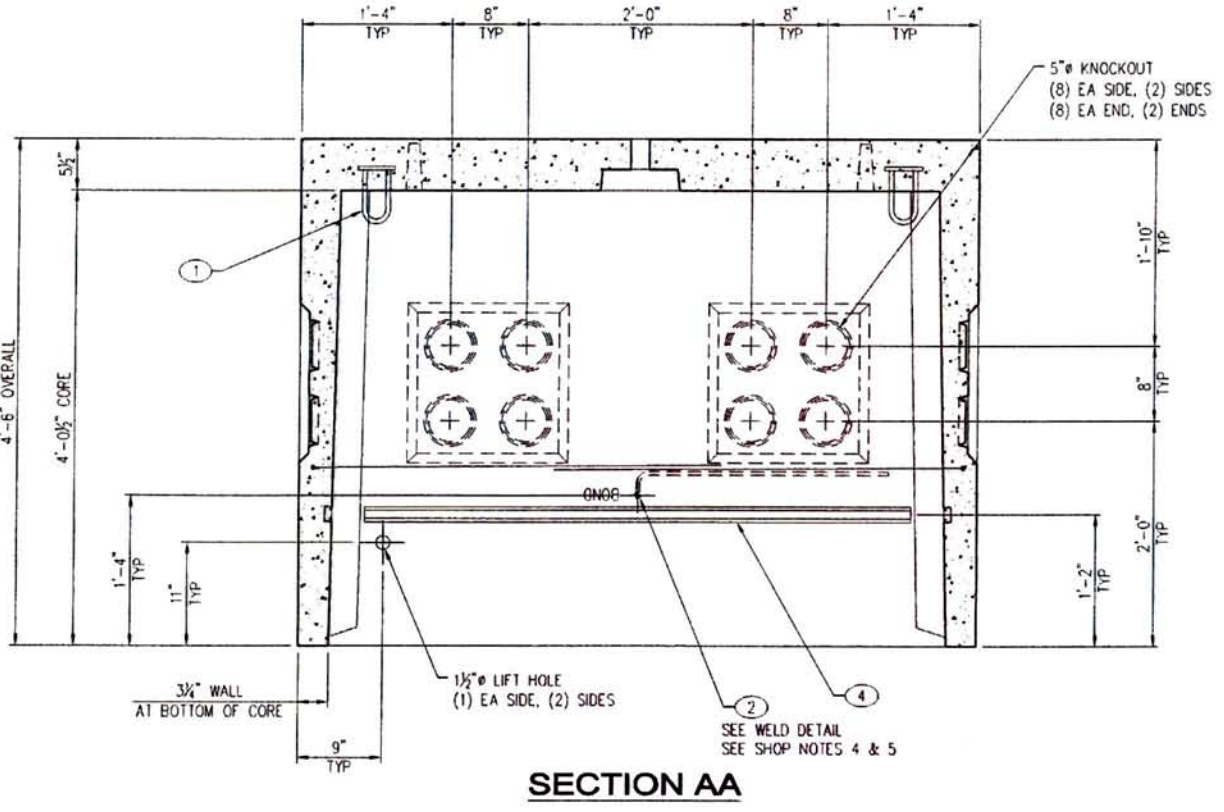
BILL OF MATERIAL

PART	QTY	U/M	DESCRIPTION	ITEM #
1	4	ea	1/2" Pulling Iron - Galv	010-5180140-001
2	2	ea	1/4" Ground w/ 3/16"x16" Rod- Brass	010-5100393-000
	13.67	ft	Strut 1 5/8"x13/16"-304SS (not stock)	010-5110060-000
	1.21	cu-yd	Concrete Mix - SCC	010-5010000-000
	2.81	bar	Rebar #4 X 40' GR60	010-5510030-000
	0.53	bar	Rebar #5 X 40' GR60	010-5510050-000
	85.00	sq-ft	Mesh - (Square Feet)	010-5500000-000

LAYOUT CUT LIST

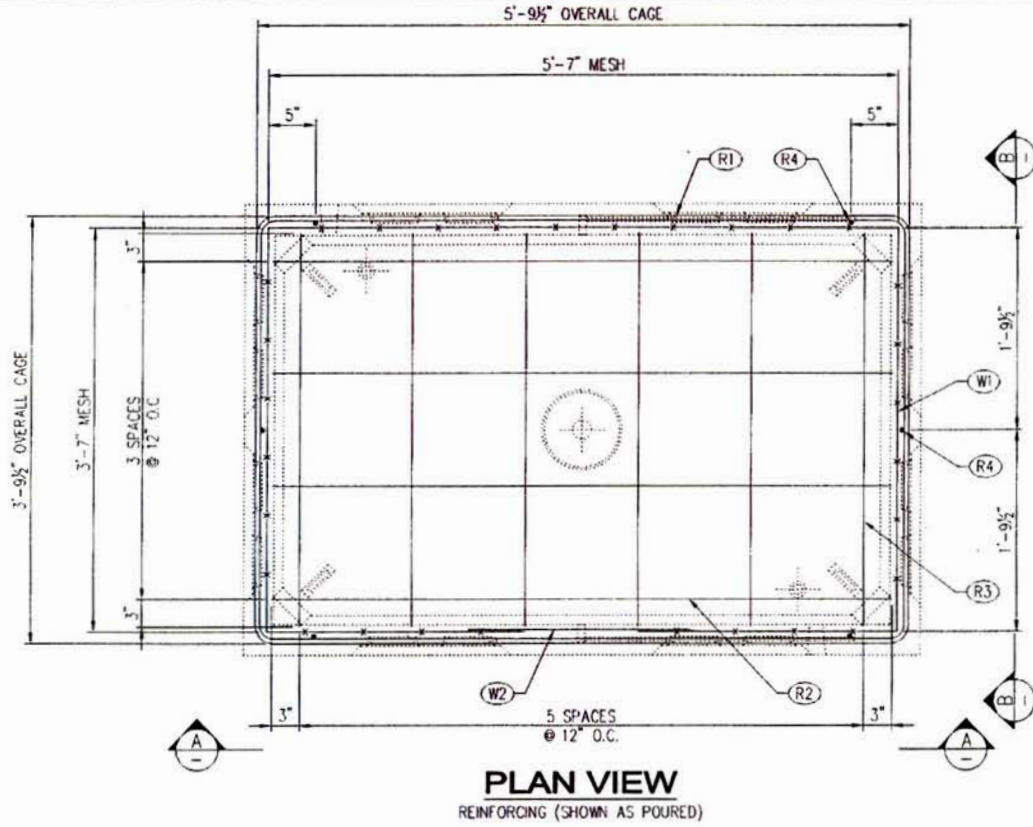
PART	QTY	DESCRIPTION	SIZE
3	2	Strut 1 5/8"x13/16"-304SS	2'-0"
4	2	Strut 1 5/8"x13/16"-304SS	4'-10"

APPROVED
Washington State
Department of Transportation
HQ Traffic Operations Office
DATE July 30, 2012 TAT

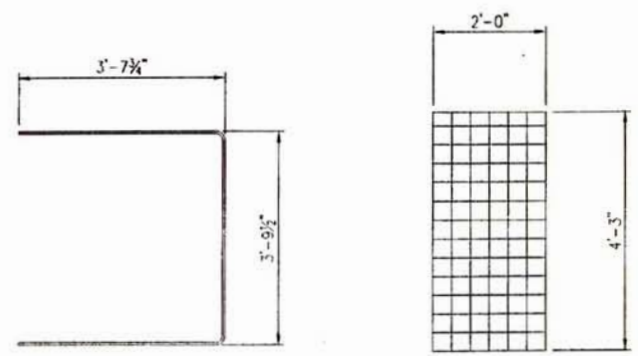


D	CHANGED DRAWING NUMBER	8/15/11	MLF	THIS DOCUMENT IS THE PROPERTY OF OLDCASTLE PRECAST, INC. IT IS SUBMITTED FOR REFERENCE PURPOSES ONLY AND SHALL NOT BE USED IN ANY WAY INJURIOUS TO THE INTERESTS OF SAID COMPANY. COPYRIGHT © 2011 Oldcastle Precast, Inc. All Rights Reserved.	SALES	DATE	1/16/08	645 CABLE BASE - WSDOT LAYOUT DETAILS CUSTOMER STANDARD PRODUCT	CUSTOMER WASHINGTON STATE D.O.T. DRAWING NUMBER 010-0090032-001	SHEET 1 of 2 REVISION D
-	(SEE CAD FILE FOR COMPLETE REVISION HISTORY)	-	-		DESIGNER	WS	WEIGHT			
LTR.	REVISION	DATE	BY	CHECKED	CALC NO					





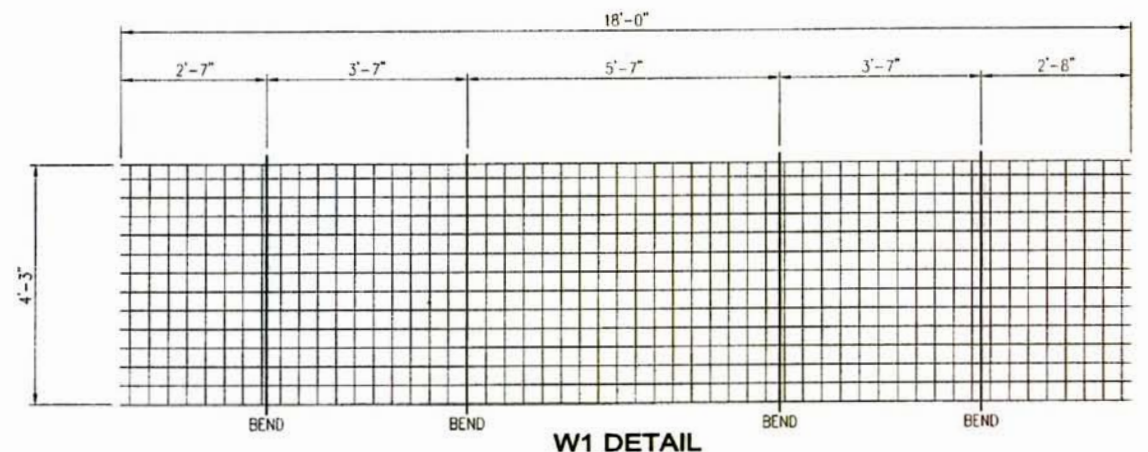
PLAN VIEW
REINFORCING (SHOWN AS POURED)



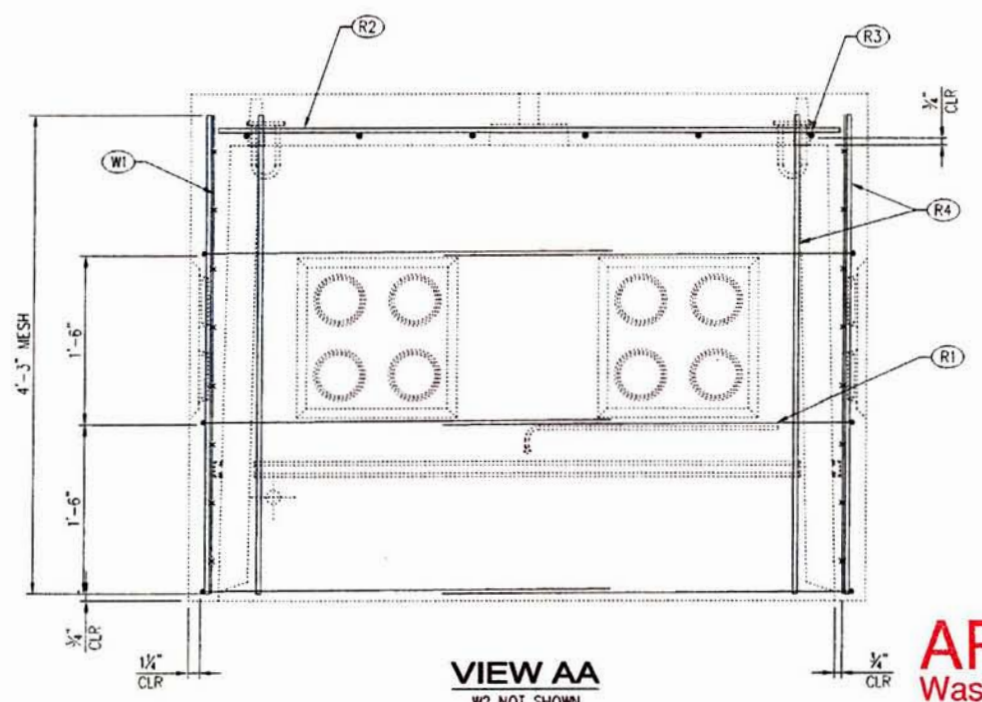
R1 DETAIL

W2 DETAIL

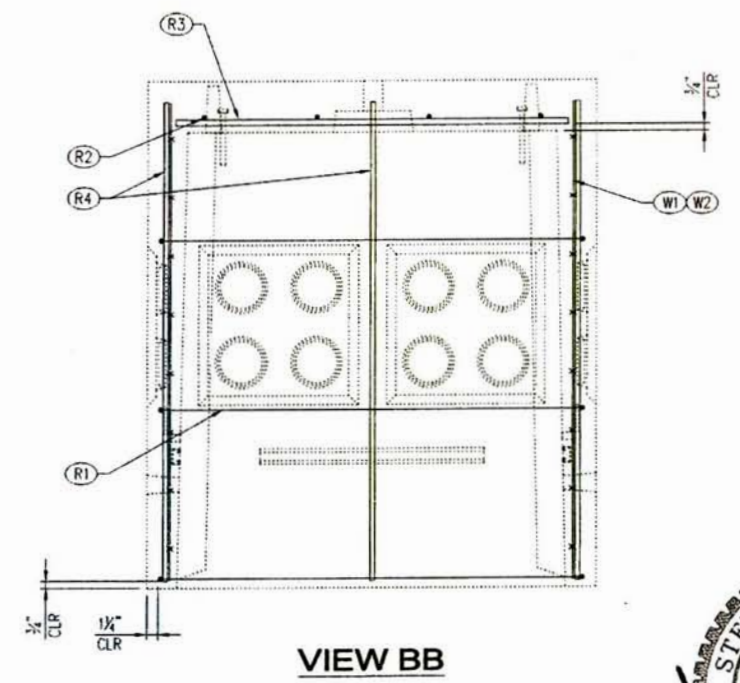
REINFORCING CUT LIST					
PART	QTY	DESCRIPTION	FT	IN	SHAPE
R1	6	#4 Rebar	10	10	BENT
R2	4	#4 Rebar	5	6	STR
R3	6	#5 Rebar	3	6	STR
R4	6	#4 Rebar	4	3	STR
W1	1	Mesh 4x4 - W2.9 x W2.9			BENT
W2	1	Mesh 4x4 - W2.9 x W2.9			STR



W1 DETAIL



VIEW AA
W2 NOT SHOWN

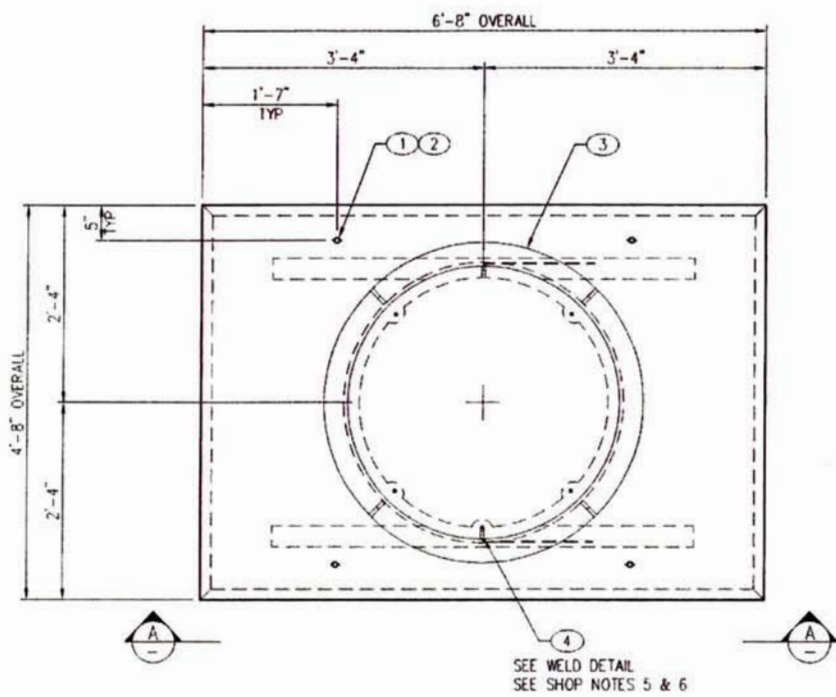


VIEW BB

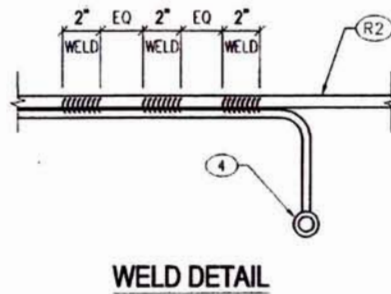
APPROVED
Washington State
Department of Transportation
HQ Traffic Operations Office
DATE July 30, 2012 TAT



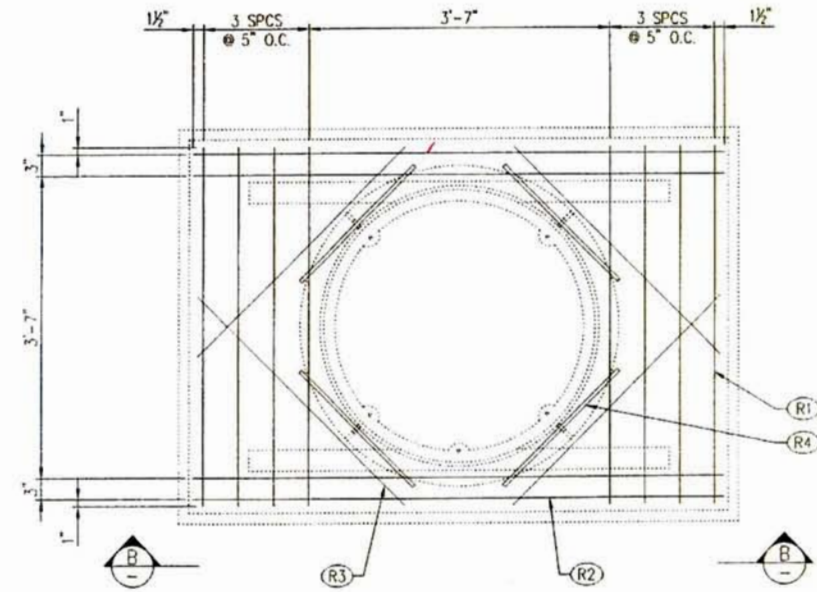
D	CHANGED DRAWING NUMBER	8/15/11	MLF	THIS DOCUMENT IS THE PROPERTY OF Oldcastle Precast, Inc. IT IS SUBMITTED FOR REFERENCE PURPOSES ONLY AND SHALL NOT BE USED IN ANY WAY UNLESS TO THE INTERESTS OF SAID COMPANY. COPYRIGHT © 2011 Oldcastle Precast, Inc. All Rights Reserved.	SALES	DATE 1/16/08		645 CABLE BASE - WSDOT REINFORCING DETAILS CUSTOMER STANDARD PRODUCT	CUSTOMER	SHEET
-	(SEE CAD FILE FOR COMPLETE REVISION HISTORY)	-	-	DESIGNER WS	WEIGHT	WASHINGTON STATE D.O.T.			2 of 2	
LTR	REVISION	DATE	BY	CHECKED	CALC NO			DRAWING NUMBER	REVISION	
								010-0090032-001		D



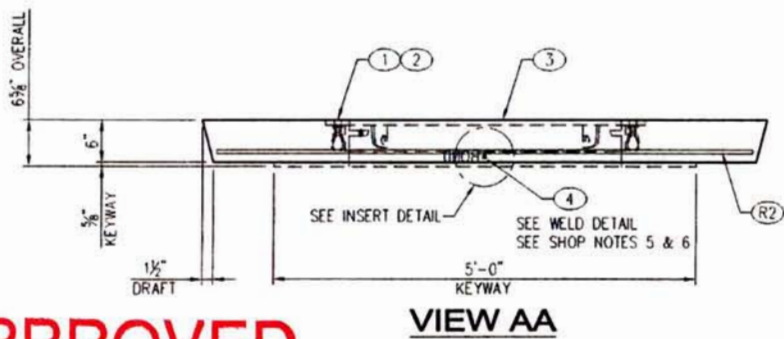
PLAN VIEW
LAYOUT (SHOWN AS POURED)



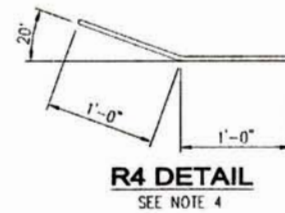
WELD DETAIL



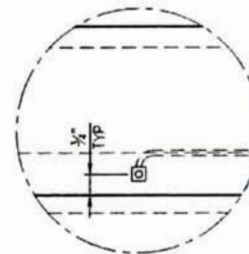
PLAN VIEW
REINFORCING (SHOWN AS POURED)



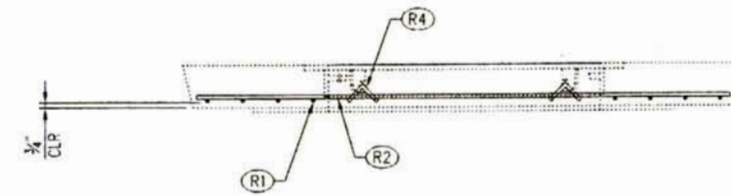
VIEW AA



R4 DETAIL
SEE NOTE 4



INSERT DETAIL



VIEW BB
R3 NOT SHOWN

APPROVED
Washington State
Department of Transportation
HQ Traffic Operations Office
DATE July 30, 2012 TAT

BILL OF MATERIAL				
PART	QTY	UM	DESCRIPTION	ITEM #
1	4	ea	insert Loop Ferr 3/4"	010-5100100-000
2	4	ea	Insert Plastic Plug 3/4" UV	010-5100050-000
3	1	ea	36" x 4" Flng Up - "WSDOT ITS"	010-4000275-001
4	2	ea	1/4" Ground w/ 3/16"x16" Rod- Brass	010-5100393-000
	0.42	cu-yd	Concrete Mix - SCC	010-5010000-000
	2.07	bar	Rebar #4 X 40' GR60	010-5510030-000
	20.00		Wood & Steel Forming Charge	010-9300050-000

SHOP NOTES

1. USE "64 COVER" STEEL FORM
2. CONCRETE FINISH: BROOM FINISH WITH MACHINED EDGES
3. EAST JORDAN IRON WORKS (EJW) # 00268819 TAPPED FOR GROUNDING
4. PASS (R4) THROUGH HOLE IN FRAME EAR AND TIE TO (R1) OR (R2)
5. FILL GROUND INSERT WITH GREASE & INSTALL CAP PROTECTOR
6. MARK GROUND INSERTS "BOND" IN 2" LETTERS WITH GREEN PAINT

REINFORCING CUT LIST

PART	QTY	DESCRIPTION	FT	IN	SHAPE
R1	8	#4 Rebar	4	3	STR
R2	4	#4 Rebar	6	4	STR
R3	4	#4 Rebar	3	6	STR
R4	4	#4 Rebar	2	0	BENT



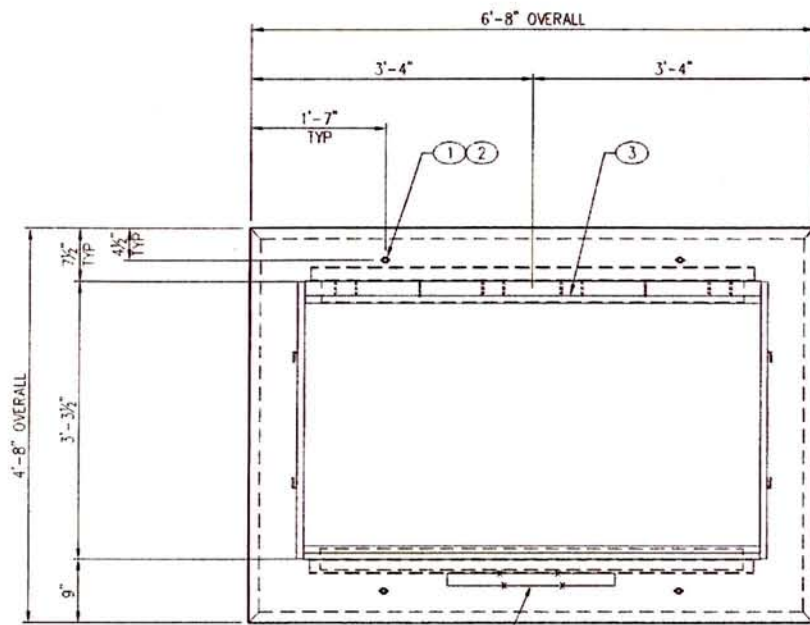
REVISION	DATE	BY
(SEE CAD FILE FOR COMPLETE REVISION HISTORY)		

SALES	DATE
JC	4/11/10

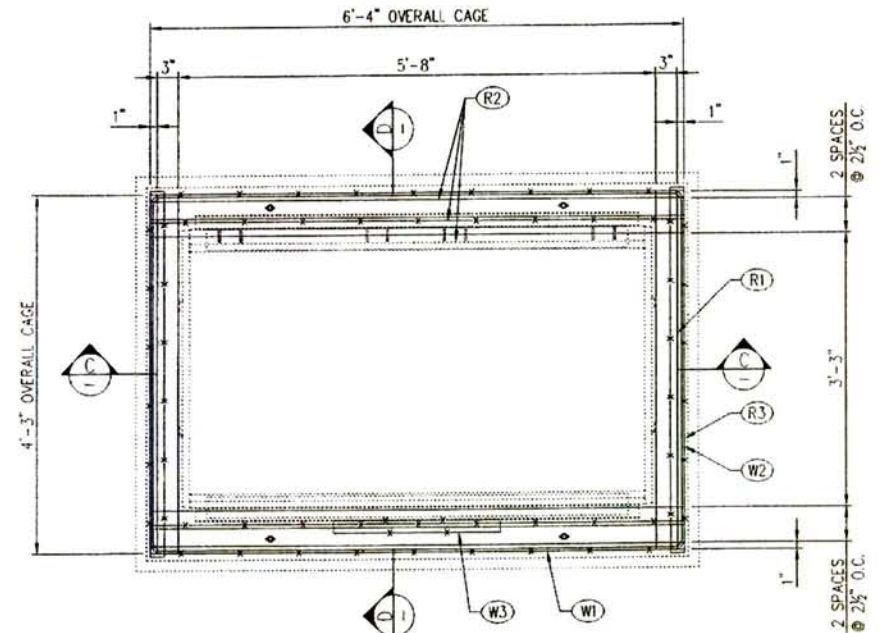
Oldcastle Precast
P.O. BOX 508 ALBANY, WA 98071-0508
PHONE: 800-862-1538 FAX: 253-720-4201

64-36F HD COVER REPL. - WSDOT
LAYOUT & REINFORCING DETAILS
CUSTOMER STANDARD PRODUCT

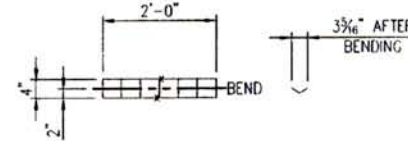
CUSTOMER	SHEET
WASHINGTON STATE D.O.T.	1 of 1
DRAWING NUMBER	REVISION
010-0090127-001	



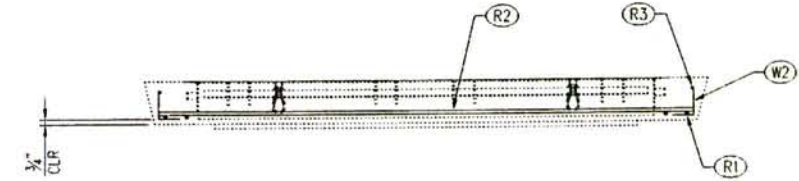
PLAN VIEW
LAYOUT (SHOWN AS POURED)



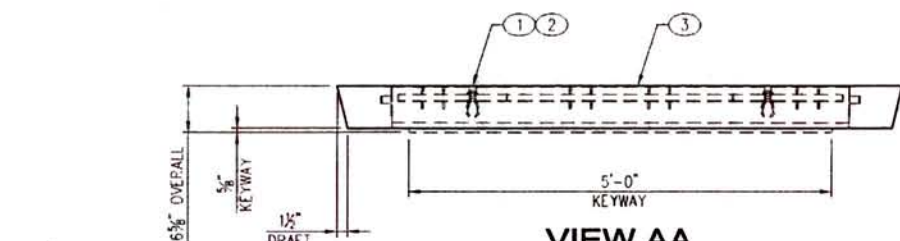
PLAN VIEW
REINFORCING (SHOWN AS POURED)



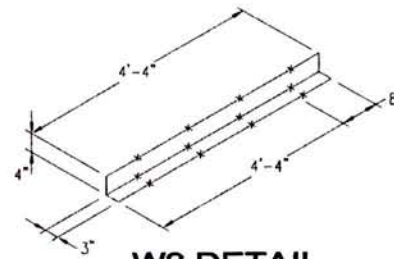
W3 DETAIL



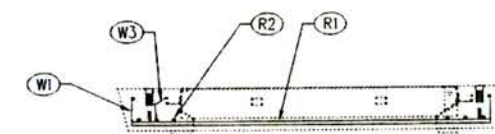
SECTION CC
W1 & W3 NOT SHOWN



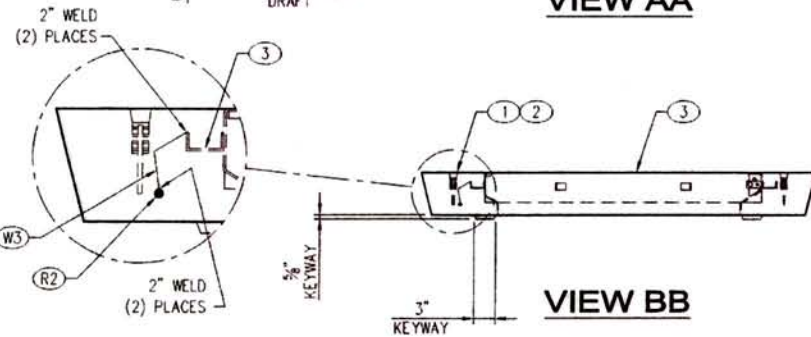
VIEW AA



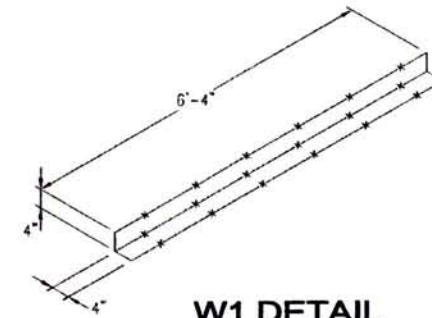
W2 DETAIL



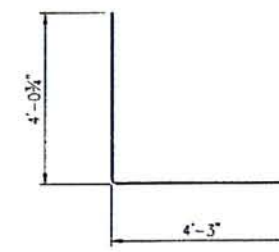
SECTION DD
W2 NOT SHOWN



VIEW BB



W1 DETAIL



R3 DETAIL

BILL OF MATERIAL				
PART	QTY	UM	DESCRIPTION	ITEM #
1	4	ea	Insert Loop Ferr 3/4"	010-5100100-000
2	4	ea	Insert Plastic Plug 3/4" 'UV'	010-5100050-000
3	1	ea	2-332-SA-80 Frame - WSDOT	010-2270045-001
	18.00	ft	Conseal 3/4" CS-101	010-5130005-000
	0.24	cu-yd	Concrete Mix - SCC	010-5010000-000
	0.61	bar	Rebar #3 X 40' A706/GR60	010-5510010-000
	1.38	bar	Rebar #4 X 40' A706/GR60	010-5510030-000
	14.16	sq-ft	Mesh - (Square Feet)	010-5500000-000

SHOP NOTES

- USE STEEL FORM "64 COVER"
- CONCRETE FINISH: BROOM FINISH WITH MACHINED EDGES

REINFORCING CUT LIST					
PART	QTY	DESCRIPTION	FT	IN	SHAPE
R1	4	#4 Rebar	4	3	STR
R2	6	#4 Rebar	6	4	STR
R3	2	#3 Rebar	12	2	BENT
W1	2	Mesh 4x4 - W2.9 x W2.9			BENT
W2	2	Mesh 4x4 - W2.9 x W2.9			BENT
W3	1	Mesh 4x4 - W2.9 x W2.9			BENT

APPROVED

Washington State
Department of Transportation
HQ Traffic Operations Office
DATE: July 30, 2012 TAT



D	CORRECTED SPLICE LENGTH	2/3/12	CLP	THIS DOCUMENT IS THE PROPERTY OF OLDCASTLE PRECAST, INC. IT IS LOANED FOR REFERENCE PURPOSES ONLY AND SHALL NOT BE USED IN ANY MANNER INJURIOUS TO THE INTERESTS OF SAID COMPANY. COPYRIGHT © 2010 Oldcastle Precast, Inc. All Rights Reserved.	SALES	DATE	4/3/10	<p>Oldcastle Precast P.O. BOX 188 ALBANY, WA 99711-0188 PHONE: 509-480-1000 FAX: 509-726-0268</p>	64-2-33 '80' F COVER - WSDOT LAYOUT & REINFORCING DETAILS CUSTOMER STANDARD PRODUCT	CUSTOMER WASHINGTON STATE D.O.T. DRAWING NUMBER 010-0090249-001	SHEET 1 of 1 REVISION D
-	(SEE CAD FILE FOR COMPLETE REVISION HISTORY)	-	-	DESIGNER	JC	WEIGHT	1,075 lbs				
LTR.	REVISION	DATE	BY	CHECKED		CALC NO					

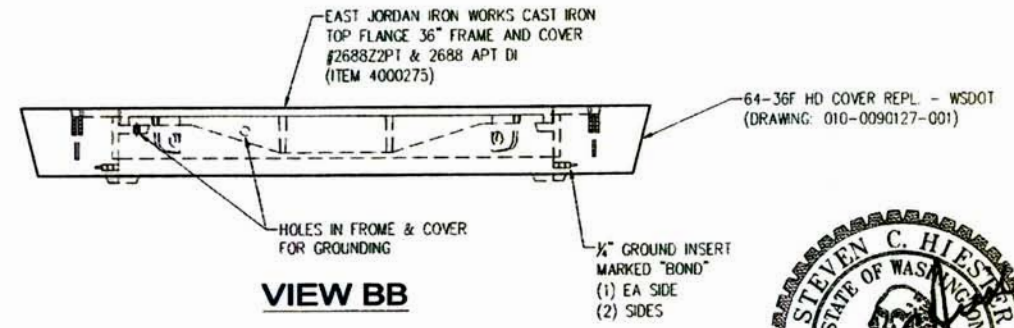
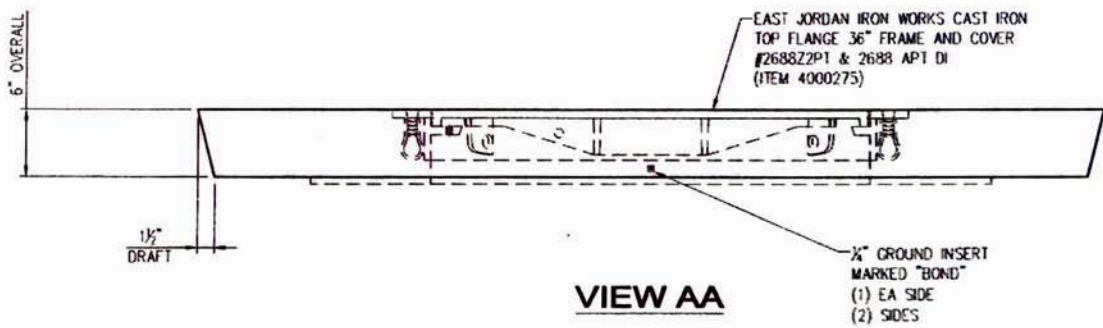
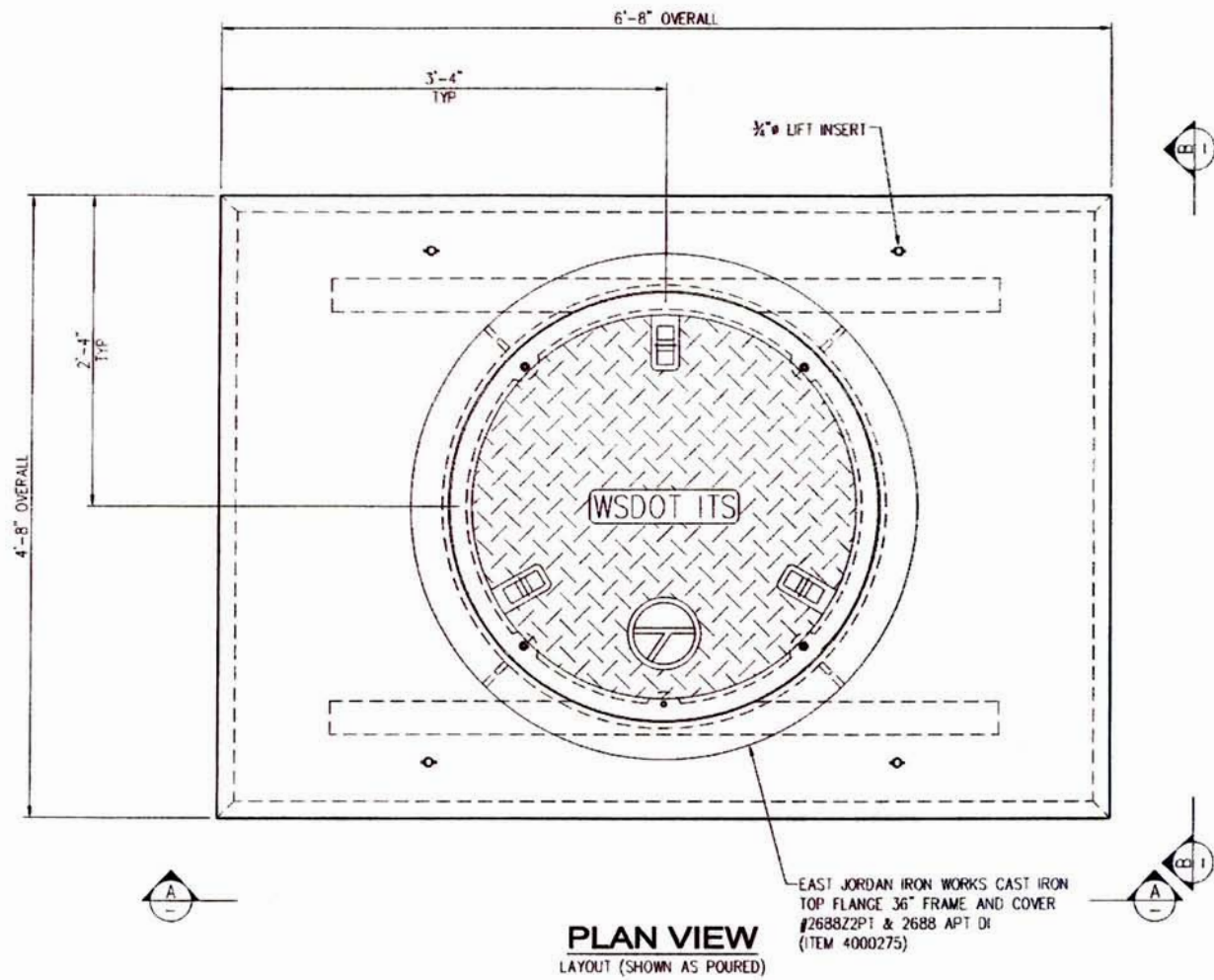
NOTE:
 PENTA HEAD BOLT IS RECESSED
 MINIMUM 1/8" BELOW PLATE SURFACE.
 PENTA HEAD BOLT TO BE LIBERALLY
 COATED WITH ANTI-SEIZE COMPOUND.

- STRUCTURAL NOTES**
1. CONCRETE: 28 DAY COMPRESSIVE STRENGTH $f_c = 4,000$ psi
 2. REBAR: ASTM A-615 GRADE 60
 3. MESH: ASTM A-185 GRADE 65
 4. DESIGN: ACI-318-05 BUILDING CODE
 5. LOADS: WHEEL LOAD = 46,000 lbs
 ASTM C-857 "MINIMUM STRUCTURAL DESIGN LOADING FOR UNDERGROUND PRECAST CONCRETE UTILITY STRUCTURES" 30% IMPACT FOR LESS THAN 2'-0" SOIL COVER TOP OF VAULT AT FINISHED GRADE

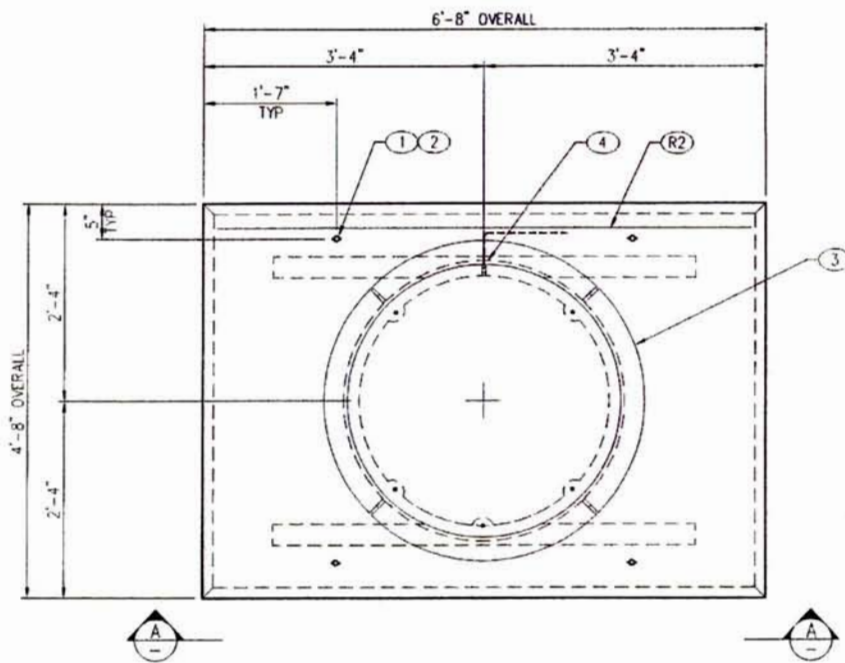
- GENERAL NOTES**
1. CUSTOMER TO:
 VERIFY ALL FEATURES
 DO ALL GROUTING & EPOXY OF VAULTS, HOLES & SEAMS (USING NON-SHRINK GROUT)
 SUPPLY & INSTALL ALL PIPING & ELECTRICAL
 INSTALL ALL LADDERS
 DO ALL PAINTING

NOTE
 USE THIS COVER TO CONVERT AN EXISTING STANDARD DUTY CABLE VAULT INTO A HEAVY DUTY CABLE VAULT.

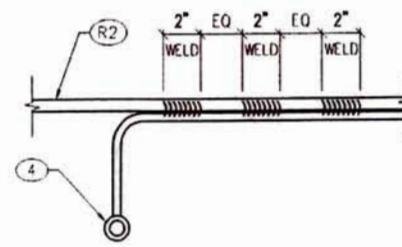
APPROVED
 Washington State
 Department of Transportation
 HQ Traffic Operations Office
 DATE July 30, 2012 TAT



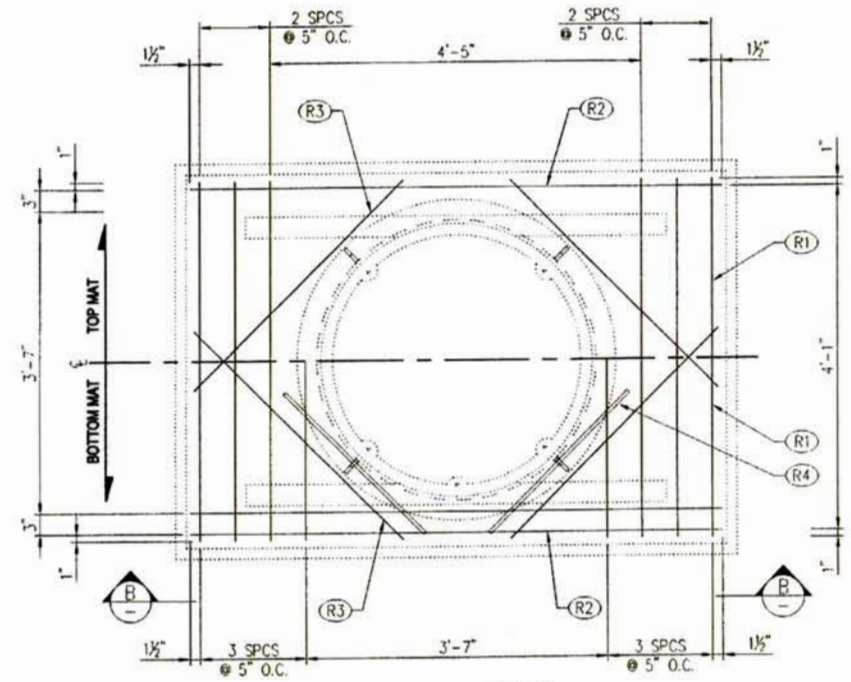
D	REMOVED SHEET 2	8/15/11	MLF	THIS DOCUMENT IS THE PROPERTY OF OLDCASTLE PRECAST, INC. IT IS SUBMITTED FOR REFERENCE PURPOSES ONLY AND SHALL NOT BE USED IN ANY WAY INJURIOUS TO THE INTERESTS OF SAID COMPANY. COPYRIGHT © 2011 Oldcastle Precast, Inc. All Rights Reserved.	SALES	DATE	4/11/10	<p>P.O. BOX 585 AUBURN, WA 99071-0585 PHONE: 509-882-1530 FAX: 509-735-0261</p>	64-36F HEAVY DUTY REPL. COVER - WSDOT	CUSTOMER	WASHINGTON STATE D.O.T.	SHEET	1 of 1	
-	(SEE CAD FILE FOR COMPLETE REVISION HISTORY)	-	-		DESIGNER	JG	WEIGHT		2,300 lbs	CUSTOMER STANDARD PRODUCT	DRAWING NUMBER	010-X806404-001	REVISION	D
LTR.	REVISION	DATE	BY		CHECKED		CALC NO							



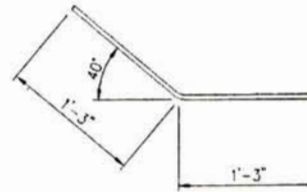
PLAN VIEW
LAYOUT (SHOWN AS POURED)



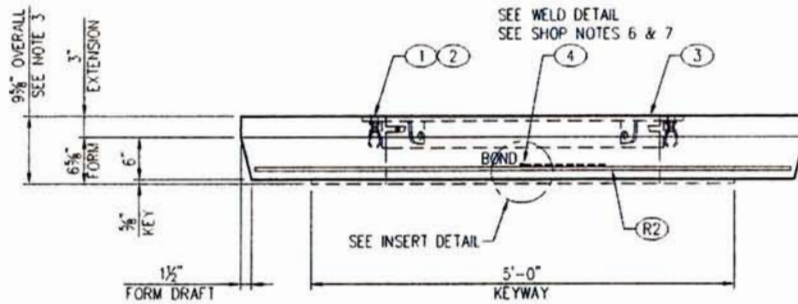
WELD DETAIL



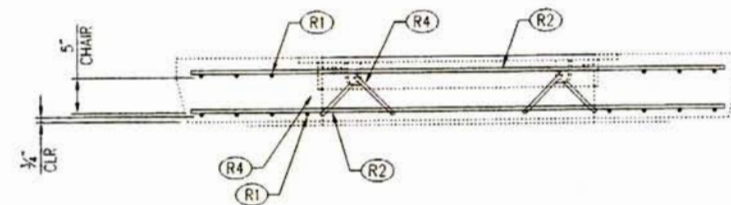
PLAN VIEW
REINFORCING (SHOWN AS POURED)



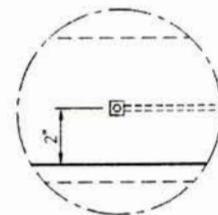
R4 DETAIL
SEE NOTE 5



VIEW AA



VIEW BB
R3 NOT SHOWN



INSERT DETAIL

BILL OF MATERIAL				
PART	QTY	UM	DESCRIPTION	ITEM #
1	4	ea	Insert Loop Ferr 3/4"	010-5100100-000
2	4	ea	Insert Plastic Plug 3/4" 'UV'	010-5100050-000
3	1	ea	36" x 4" Flng Up - "WSDOT ITS"	010-4000275-001
4	1	ea	1/4" Ground w/ 3/16"x16" Rod- Brass	010-5100393-000
	0.63	cu-yd	Concrete Mix - SCC	010-5010000-000
	3.40	bar	Rebar #4 X 40' GR60	010-5510030-000
	20.00		Wood & Steel Forming Charge	010-9300050-000

SHOP NOTES

1. USE "64 COVER" STEEL FORM
2. CONCRETE FINISH: BROOM FINISH WITH MACHINED EDGES
3. ADD 3" TO SLAB
4. EAST JORDAN IRON WORKS (EJW) # 00268819 TAPPED FOR GROUNDING
5. PLACE THROUGH HOLE IN FRAME EAR AND TIE TO (R1) OR (R2)
6. FILL GROUND INSERT WITH GREASE & INSTALL CAP PROTECTOR
7. MARK GROUND INSERTS "BOND" IN 2" LETTERS WITH GREEN PAINT

REINFORCING CUT LIST

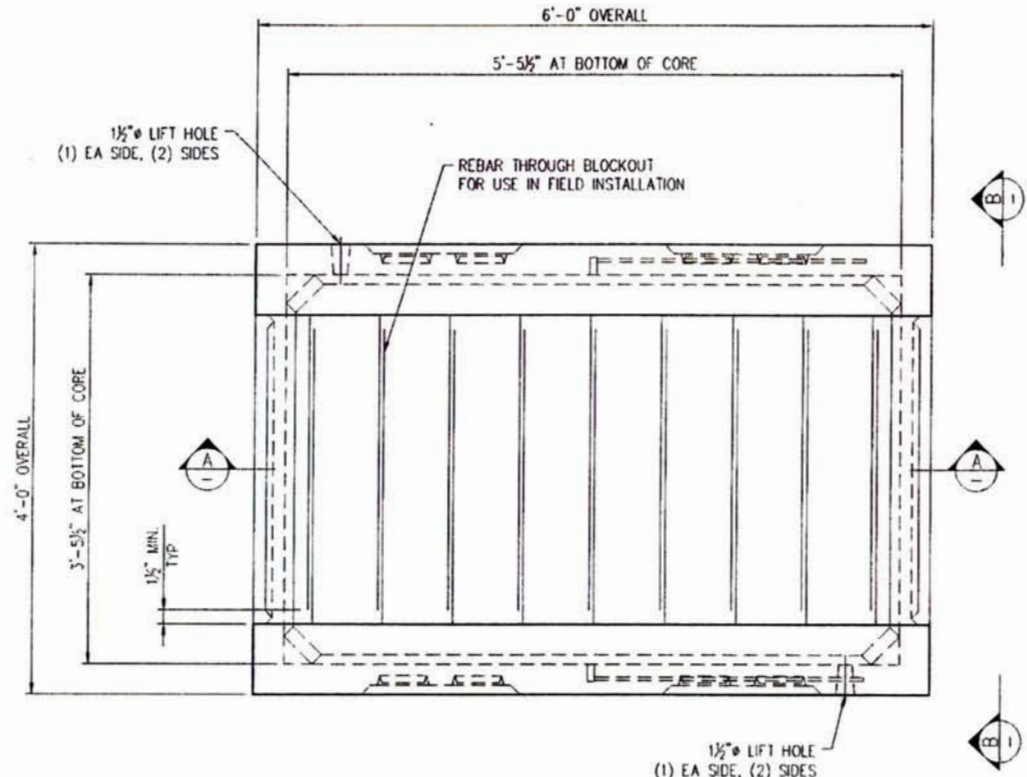
PART	QTY	DESCRIPTION	FT	IN	SHAPE
R1	14	#4 Rebar	4	3	STR
R2	6	#4 Rebar	6	4	STR
R3	8	#4 Rebar	3	6	SIR
R4	4	#4 Rebar	2	6	BENT

APPROVED
Washington State
Department of Transportation
HQ Traffic Operations Office
DATE July 30, 2012 TAT

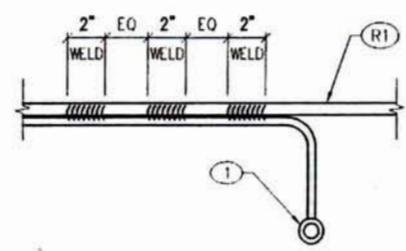


B	CHANGED DRAWING NUMBER, BOM ITEM 3	8/15/11	MLF	THIS DOCUMENT IS THE PROPERTY OF OLDCASTLE PRECAST, INC. IT IS SUBMITTED FOR REFERENCE PURPOSES ONLY AND SHALL NOT BE USED IN ANY WAY INJURIOUS TO THE INTERESTS OF SAID COMPANY. COPYRIGHT © 2011 Oldcastle Precast, Inc. All Rights Reserved.	SALES	DATE	4/3/10	64-36F HD COVER - WSDOT LAYOUT & REINFORCING DETAILS CUSTOMER STANDARD PRODUCT	CUSTOMER	WASHINGTON STATE D.O.T.	SHEET	1 OF 1	
-	(SEE CAD FILE FOR COMPLETE REVISION HISTORY)	-	-		DESIGNER	JG	WEIGHT		3,170 lbs	DRAWING NUMBER	010-0090125-001	REVISION	B
LTR	REVISION	DATE	BY		CHECKED		CALC NO						

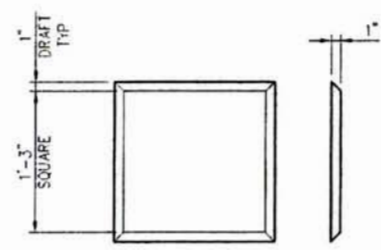
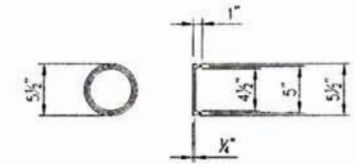




PLAN VIEW
LAYOUT (SHOWN AS POURED)



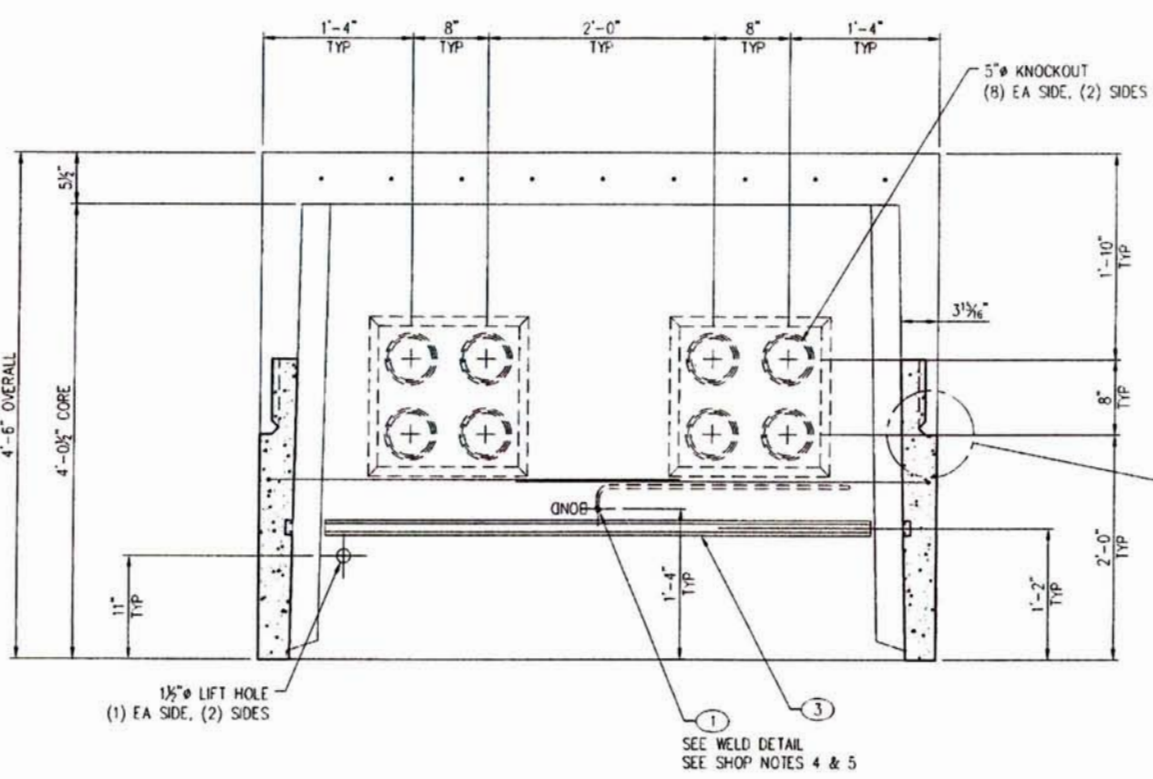
WELD DETAIL



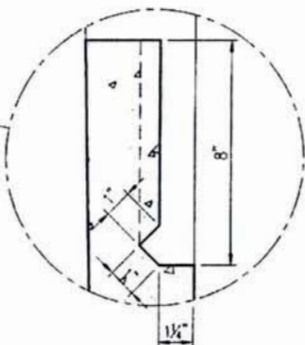
- SHOP NOTES**
1. USE "660 LA BASE w/645 PALLET" STEEL FORM
 2. CONCRETE FINISH: FLAT FLOAT FINISH WITH MACHINED EDGES
 3. FLIP MEATHOD: TRUNNION
 4. FILL GROUND INSERT WITH GREASE & INSTALL CAP PROTECTOR
 5. MARK GROUND INSERTS "BOND" IN 2" LETTERS WITH GREEN PAINT

BILL OF MATERIAL				
PART	QTY	UM	DESCRIPTION	ITEM #
1	2	ea	1/4" Ground w/ 3/16"x16" Rod- Brass	010-5100393-000
	13.67	ft	Strut 1 5/8"x13/16"-304SS (not stock)	010-5110060-000
	0.82	cu-yd	Concrete Mix - SCC	010-5010000-000
	6.13	bar	Rebar #3 X 40" GR60	010-5510010-000
	110.34	sq-ft	Mesh - (Square Feet)	010-5500000-000
	50		Wood & Steel Forming Charge	010-9300050-000

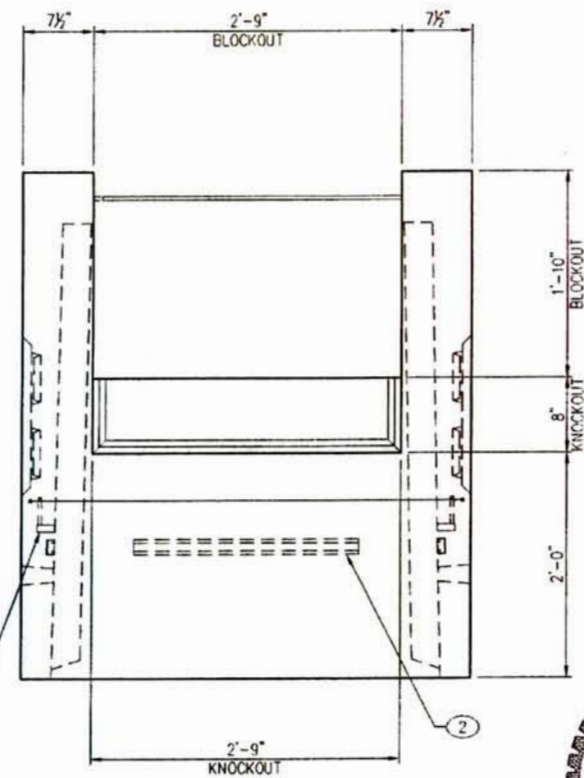
LAYOUT CUT LIST			
PART	QTY	DESCRIPTION	SIZE
2	2	Strut 1 5/8"x13/16"-304SS	2'-0"
3	2	Strut 1 5/8"x13/16"-304SS	4'-10"



SECTION AA



SEE WELD DETAIL
SEE SHOP NOTES 4 & 5



VIEW BB

APPROVED
Washington State
Department of Transportation
HQ Traffic Operations Office
DATE July 30, 2012 TAT



D	CHANGED DRAWING NUMBER	8/15/11	MLF	THIS DOCUMENT IS THE PROPERTY OF OLDCASTLE PRECAST, INC. IT IS SUBMITTED FOR REFERENCE PURPOSES ONLY AND SHALL NOT BE USED IN ANY WAY INJURIOUS TO THE INTERESTS OF SAID COMPANY. COPYRIGHT © 2011 Oldcastle Precast, Inc. All Rights Reserved
-	(SEE CAD FILE FOR COMPLETE REVISION HISTORY)	-	-	
LTR.	REVISION	DATE	BY	

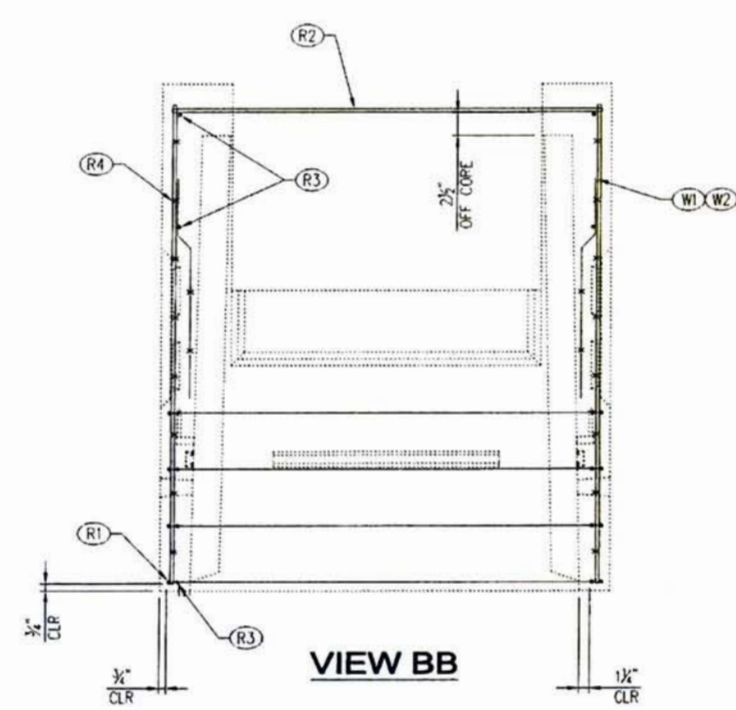
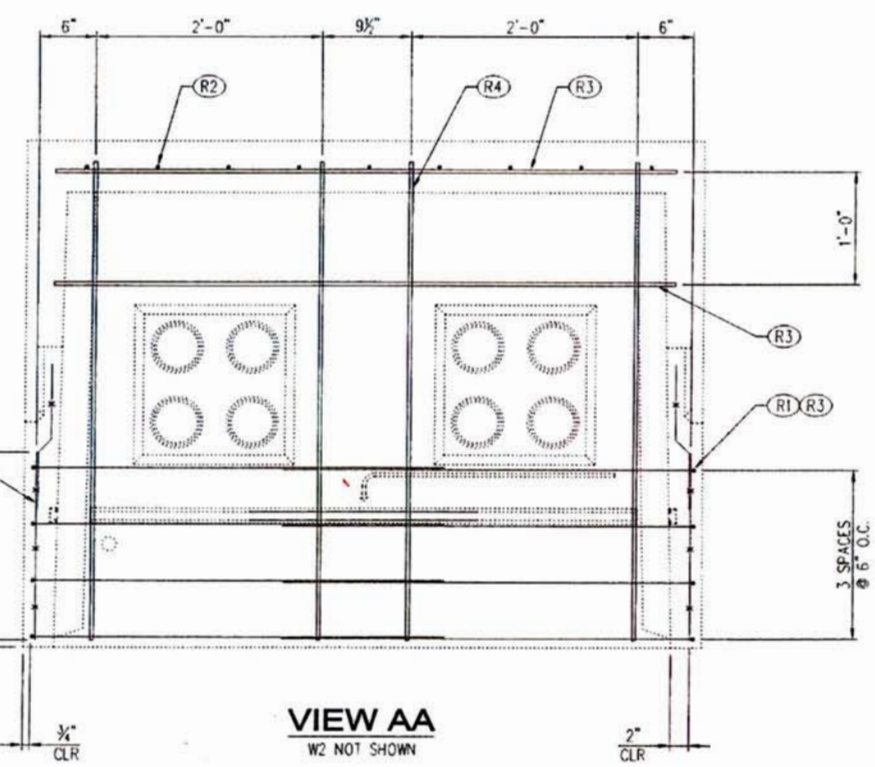
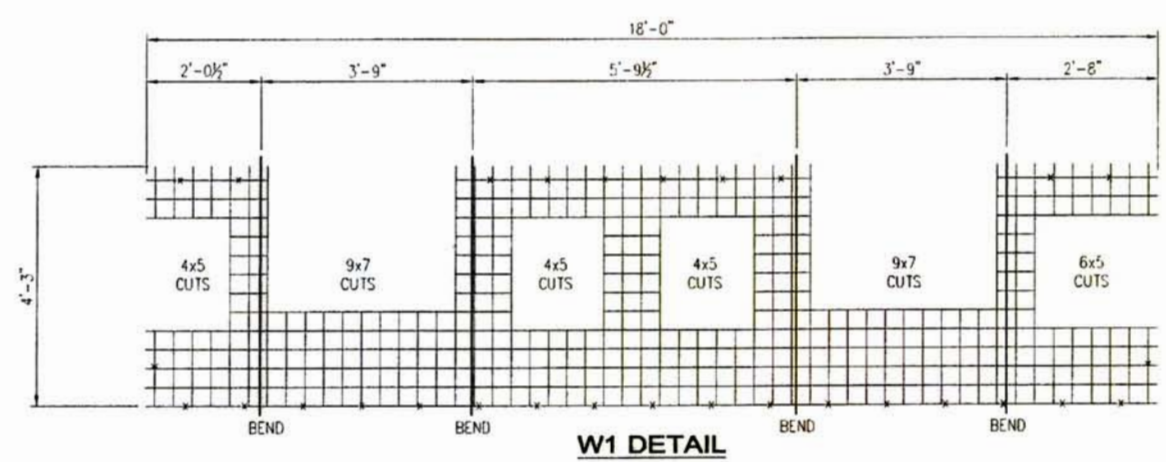
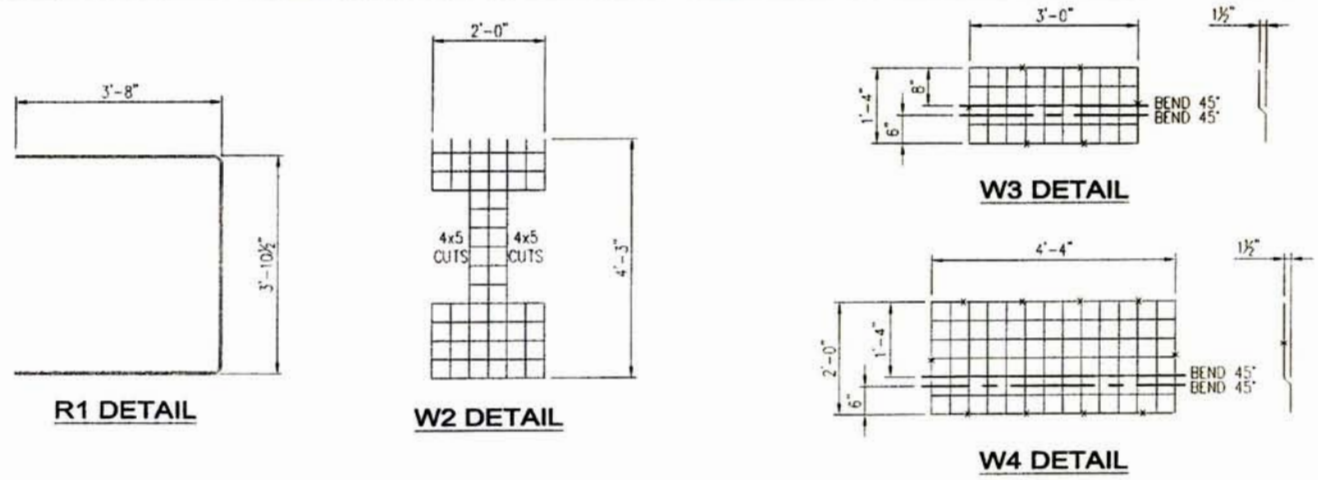
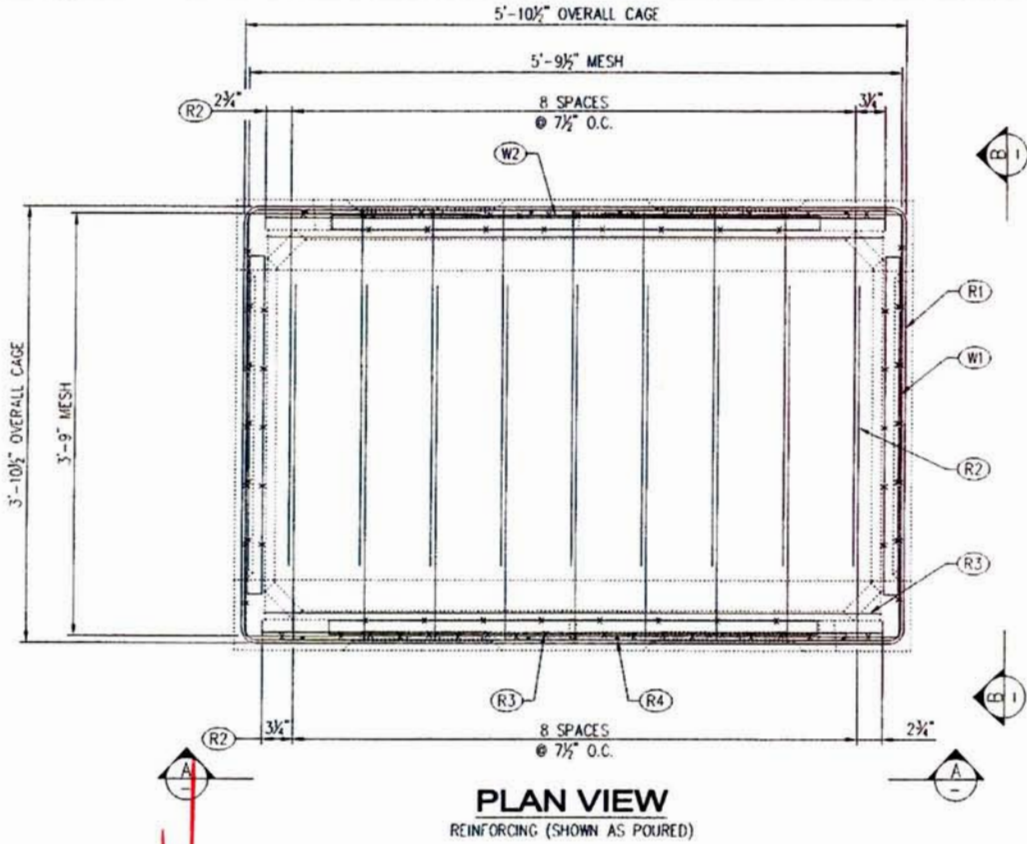
SALES	DATE	4/29/10	
DESIGNER	JC	WEIGHT	3,210 lbs
CHECKED		CALC NO	



645 SPLIT CABLE BASE - WSDOT
LAYOUT DETAILS
CUSTOMER STANDARD PRODUCT

CUSTOMER	WASHINGTON STATE D.O.T.	SHEET	1 of 2
DRAWING NUMBER	010-0090033-001	REVISION	D

APPROVED
 Washington State
 Department of Transportation
 HQ Traffic Operations Office
 DATE July 30, 2012 TAT



REINFORCING CUT LIST					
PART	QTY	DESCRIPTION	FT	IN	SHAPE
R1	8	#3 Rebar	11	0	BENT
R2	18	#3 Rebar	3	2	STR
R3	12	#3 Rebar	5	6	STR
R4	8	#3 Rebar	4	3	STR
W1	1	Mesh 4x4 - W2.9 x W2.9			BENT
W2	1	Mesh 4x4 - W2.9 x W2.9			STR
W3	2	Mesh 4x4 - W2.9 x W2.9			BENT
W4	2	Mesh 4x4 - W2.9 x W2.9			STR

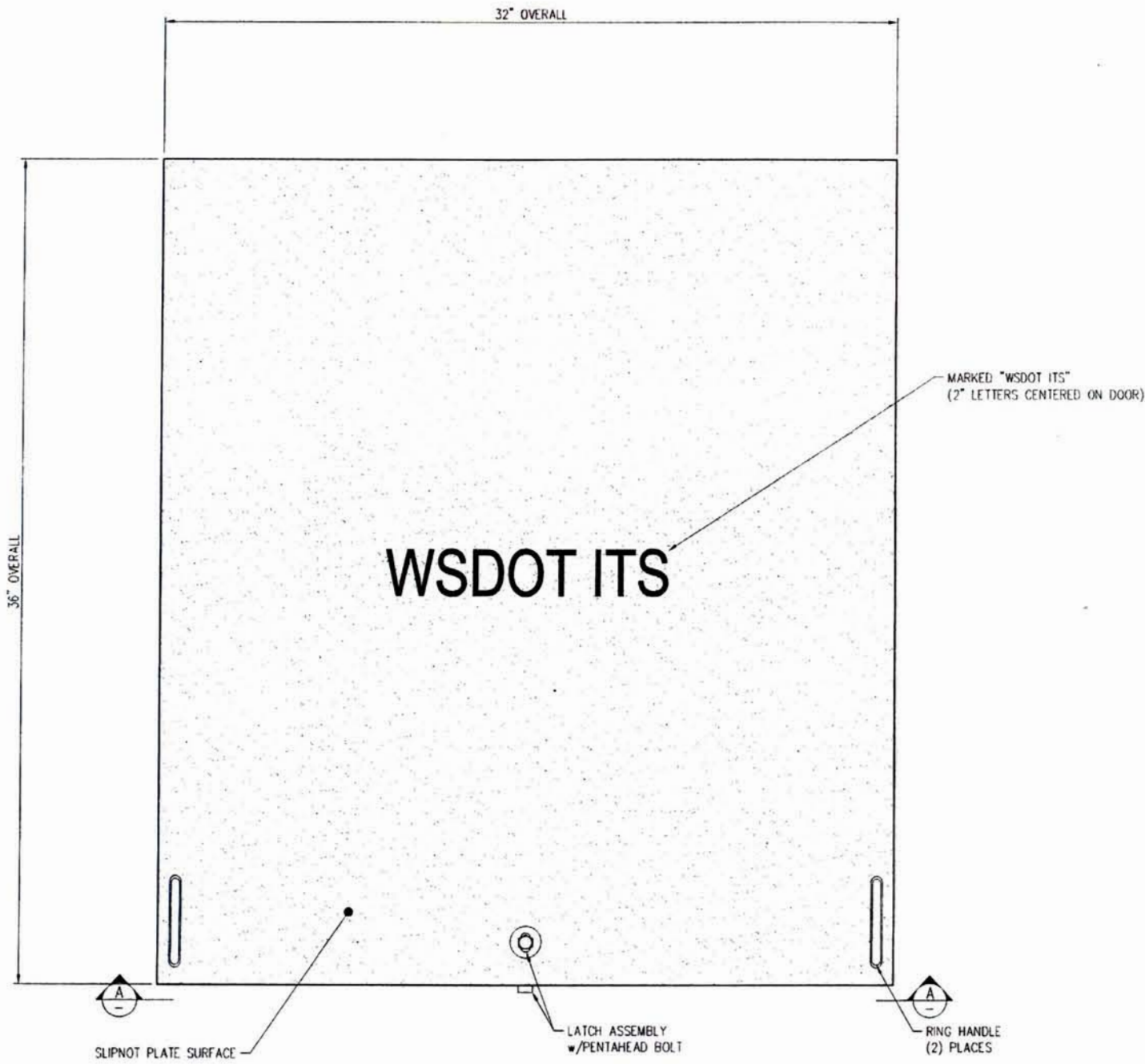


D	CHANGED DRAWING NUMBER	8/15/11	MLF	THIS DOCUMENT IS THE PROPERTY OF OLDCASTLE PRECAST, INC. IT IS SUBMITTED FOR REFERENCE PURPOSES ONLY AND SHALL NOT BE USED IN ANY WAY INJURIOUS TO THE INTERESTS OF SAID COMPANY. COPYRIGHT © 2011 Oldcastle Precast, Inc. All Rights Reserved.	SALES	DATE	4/29/10
-	(SEE CAD FILE FOR REVISION HISTORY)	-	-		DESIGNER	JG	WEIGHT
LTR.	REVISION	DATE	BY		CHECKED		CALC NO



645 SPLIT CABLE BASE - WSDOT
 REINFORCING DETAILS
 CUSTOMER STANDARD PRODUCT

CUSTOMER	WASHINGTON STATE D.O.T.	SHEET	2 of 2
DRAWING NUMBER	010-0090033-001	REVISION	D



PLAN VIEW
(TOPSIDE OF DOOR SHOWN)

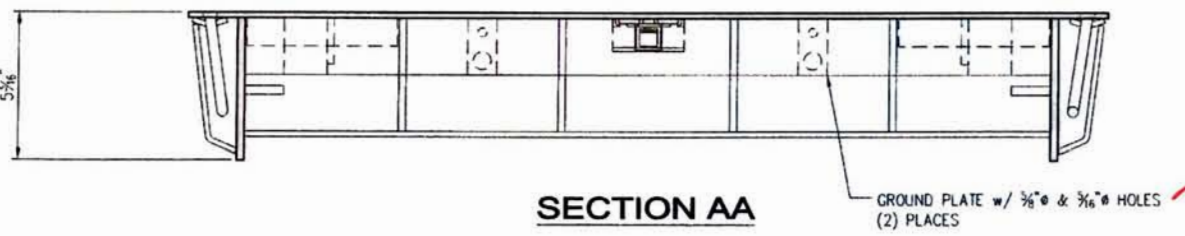
STRUCTURAL NOTES

1. MATERIAL: ASTM A36 STRUCTURAL STEEL STANDARDS
2. ASSEMBLY: AWS D1.1 WELDING STANDARDS
3. COATING: ASTM A123 HOT-DIP GALVANIZING STANDARDS
4. LOADS: SUITABLE FOR AASHTO H-20 WHEEL LOADING IN OFF-STREET LOCATIONS WHERE NOT SUBJECTED TO HIGH-DENSITY TRAFFIC

GENERAL NOTES

1. FRAMES AVAILABLE TO USE WITH THIS DOOR:
2270045 (2-332-SA-80 FRAME - WSDOT)
2. OPTIONAL LETTERING FOR DOORS AS REQUESTED:
WSDOT TS
WSDOT LT ✓
WSDOT EVC
WSDOT TEL
WSDOT COMM

APPROVED
Washington State
Department of Transportation
HQ Traffic Operations Office
DATE July 30, 2012 TAT



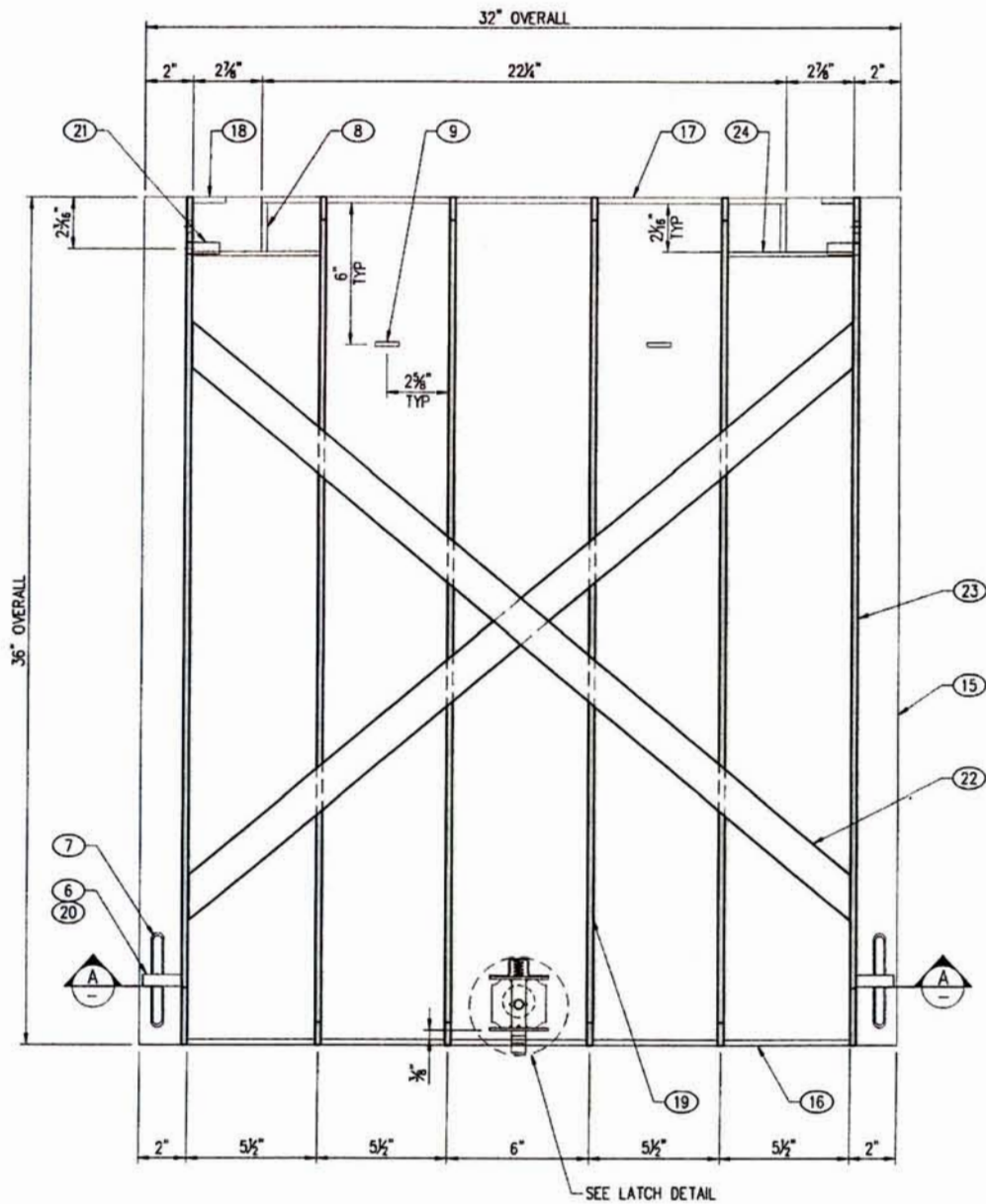
SECTION AA



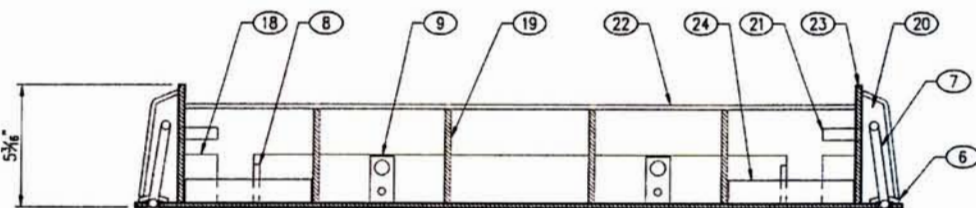
L	NO CHANGE TO THIS SHEET	6/27/12	MLF	THIS DOCUMENT IS THE PROPERTY OF OLDCASTLE PRECAST, INC. IT IS SUBMITTED FOR REFERENCE PURPOSES ONLY AND SHALL NOT BE USED IN ANY WAY HARMFUL TO THE INTERESTS OF SAID COMPANY. COPYRIGHT © 2012 Oldcastle Precast, Inc. All Rights Reserved	SALES	DATE	6/22/10	332-NS-SA-80 "WSDOT ITS"	CUSTOMER WASHINGTON STATE D.O.T.	SHEET 1 of 5			
-	(SEE CAD FILE FOR COMPLETE REVISION HISTORY)	-	-		DESIGNER	JG	WEIGHT				150 lbs	DRAWING NUMBER	REVISION
LTR.	REVISION	DATE	BY		CHECKED		CALC NO					010-2270304-001	L



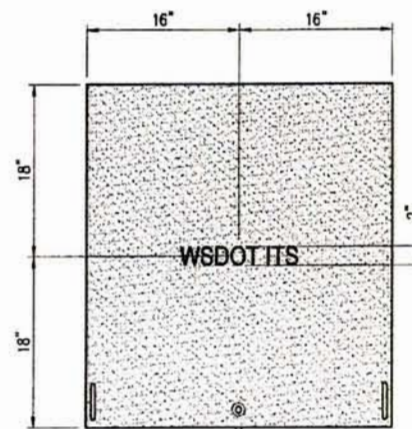
CUSTOMER STANDARD PRODUCT



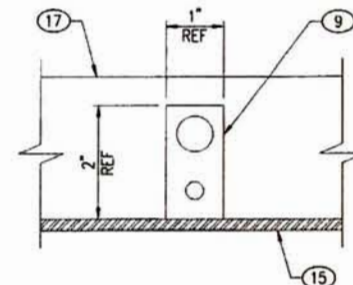
PLAN VIEW
(UNDERSIDE OF DOOR SHOWN)



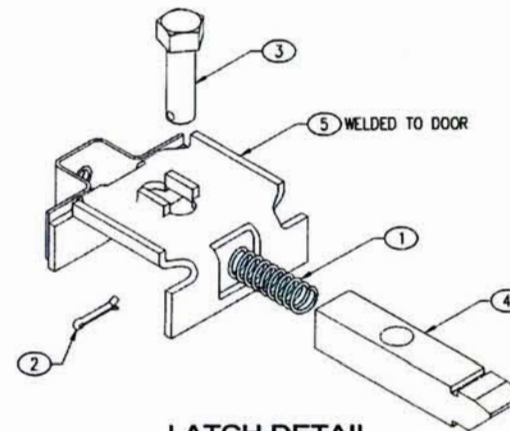
SECTION AA



LETTERING DETAIL
(TOPSIDE OF DOOR SHOWN)



GROUND PLATE DETAIL



LATCH DETAIL

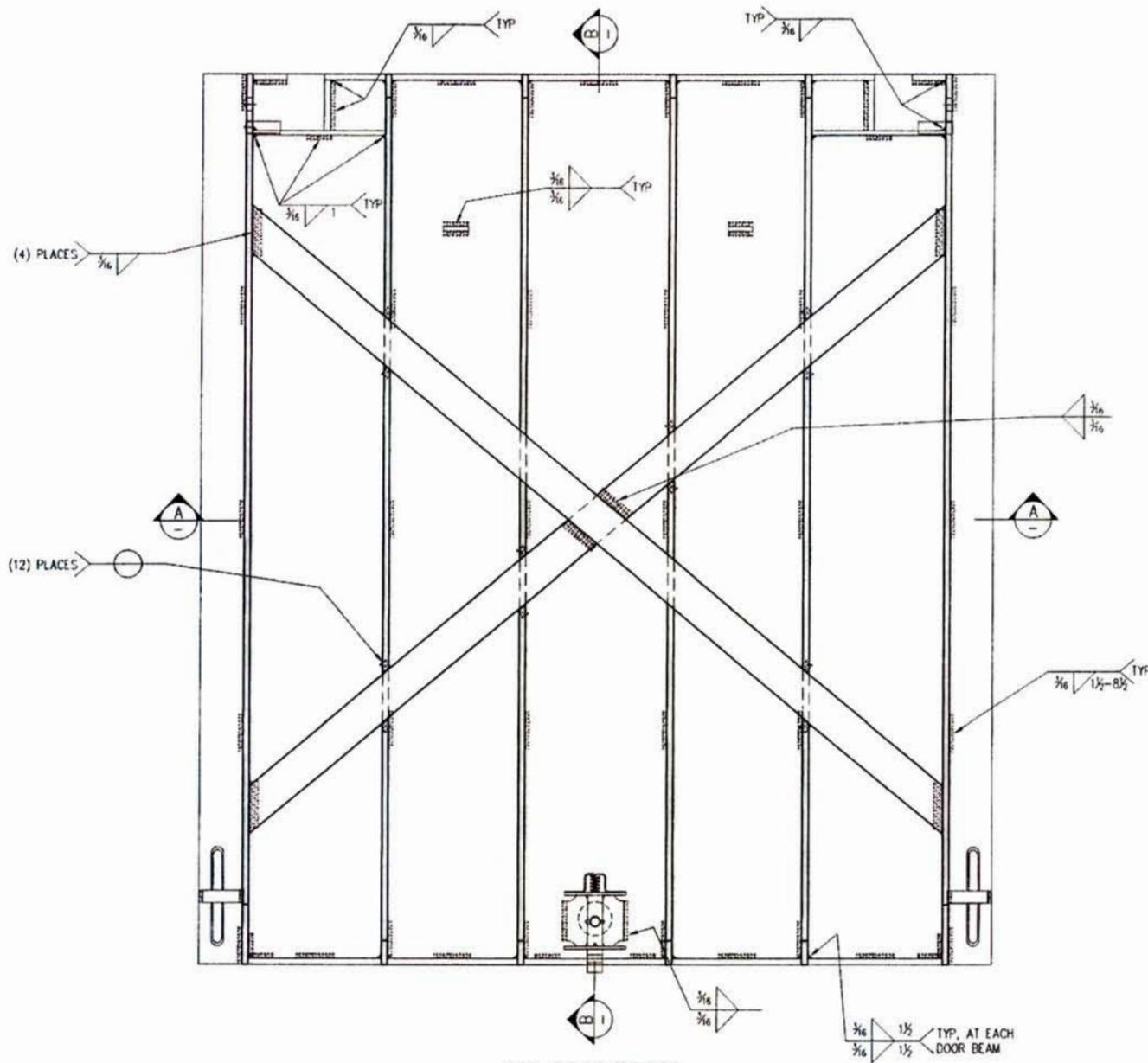
BILL OF MATERIAL					
ASTM SPEC	PART	QTY	U/M	DESCRIPTION	ITEM #
A313	1	1	ea	Comp Spring OD.425"WD.045"L1.5"-PLTD	OPC
304	2	1	ea	Cotter Pin - 3/32" x 3/4"	OPC
302	3	1	ea	3/8" Pentahead Bolt - SS	010-5180810-001
6061-T6	4	1	ea	Latch Bolt	010-5210000-001
A1011 CS	5	1	ea	Latch Cage	010-5210045-001
A36	6	2	ea	Ring Clip (3/16" x 3/4")	010-5210100-001
A36	7	2	ea	Ring Handle (3/8"Ø)	010-5210090-001
A36	8	2	ea	Hinge Plate (1/4")	010-5220180-001
A36	9	2	ea	Ground Plate w/ 2 Holes (3/16" x 1")	010-5210010-001
A401	10	1	ea	Frame Spring '80 Style	010-5220290-000
A401	11	1	ea	Frame Spring '80 Style	010-5220300-000
A401	12	1	ea	Cover Spring '80 Style	010-5220310-000
A401	13	1	ea	Cover Spring '80 Style	010-5220320-000
A36	14	2	ea	Hinge '80 Style - GALV	010-5220330-000
A36	0.17	sht		SlipNot Plate 72" x 120" x 3/16"	010-5540120-000
A36	0.87	lbs		Flatbar 3/16" x 1"	010-5520030-000
A36	6.02	lbs		Flatbar 3/16" x 1-1/2"	010-5520050-000
A36	7.51	lbs		Flatbar 1/4" x 2"	010-5520160-000
A36	40.80	lbs		Flatbar 1/4" x 4"	010-5520170-000
A36	25.83	lbs		Flatbar 1/4" x 5"	010-5520171-000
A36	0.15	lbs		Round Bar 1/2"	010-5520225-000
A123	145	lbs		Galvanizing Per Lb.	010-5800000-000

LAYOUT CUT LIST			
PART	QTY	DESCRIPTION	SIZE
15	1	Slipnot Plate 72" x 120" x 3/16"	SHT 4
16	1	Flatbar 1/4" x 2"	SHT 4
17	1	Flatbar 1/4" x 2"	22 1/4"
18	2	Flatbar 1/4" x 2"	1 3/8"
19	4	Flatbar 1/4" x 4"	SHT 5
20	2	Flatbar 1/4" x 5"	SHT 5
21	2	Round Bar 1/2"	1 3/8"
22	2	Flatbar 3/16" x 1-1/2"	SHT 5
23	2	Flatbar 1/4" x 5"	SHT 4
24	2	Flatbar 3/16" x 1"	5 5/16"

- SHOP NOTES**
- OVERALL DIMENSIONS HAVE A MAXIMUM ALLOWABLE TOLERANCE OF $\pm 1/16$ "
 - GRIND ALL SHARP EDGES
 - DOOR TO BE HOT-DIPPED GALVANIZED AFTER FABRICATION.
 - PARTS INSTALLED WHEN THE DOOR IS ASSEMBLED IN FRAME.
- 10 11 12 13 14

APPROVED
Washington State
Department of Transportation
HQ Traffic Operations Office
DATE July 30, 2012 TAT





PLAN VIEW
(UNDERSIDE OF DOOR SHOWN)

SECTION AA

STRUCTURAL NOTES
1. ASSEMBLY: AWS D11 WELDING STANDARDS

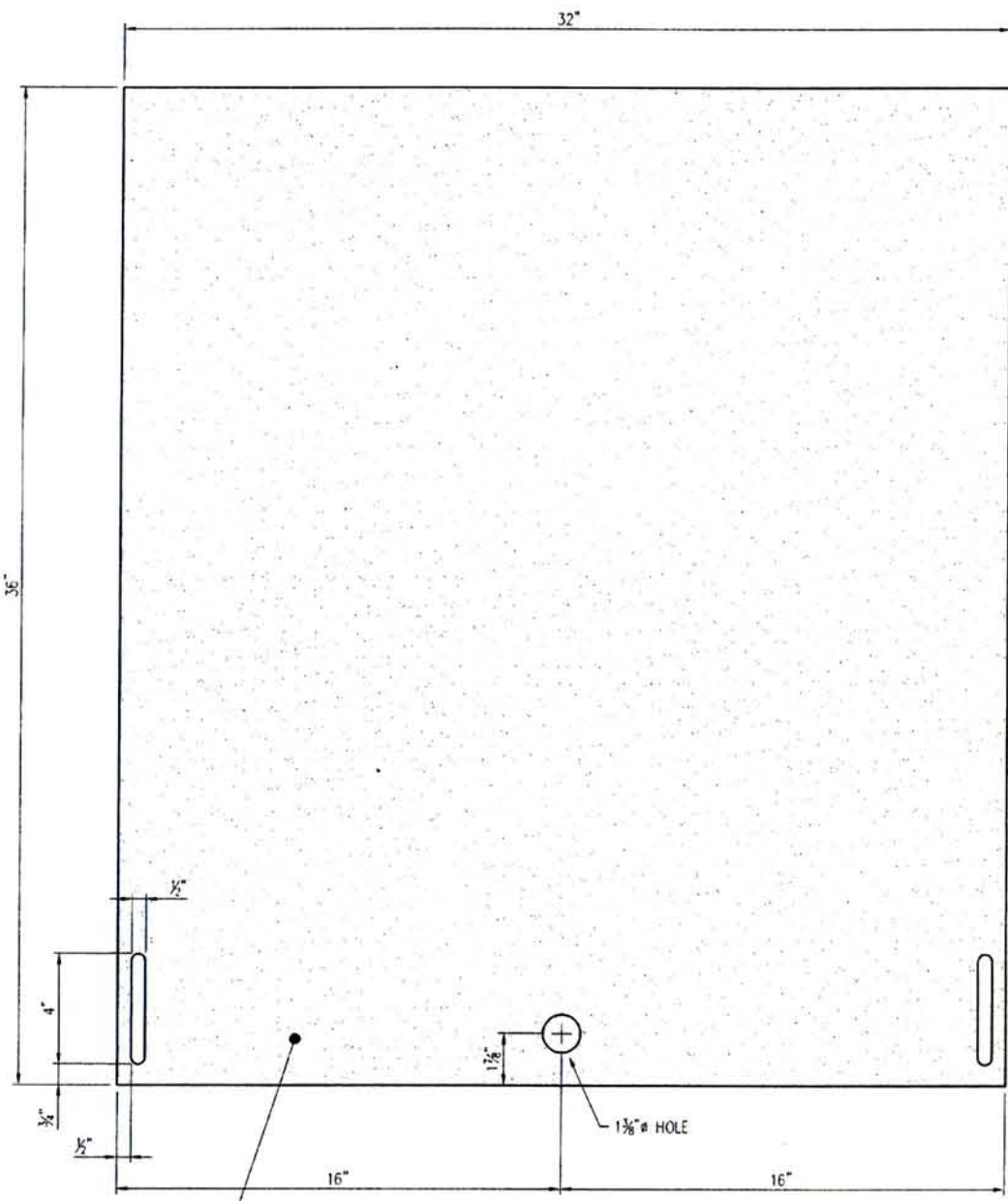
SHOP NOTES
1. ALL WELDS ARE TYPICAL 3/16" FILLET WELDS, UNLESS OTHERWISE NOTED

APPROVED
Washington State
Department of Transportation
HQ Traffic Operations Office
DATE July 30, 2012 TAT

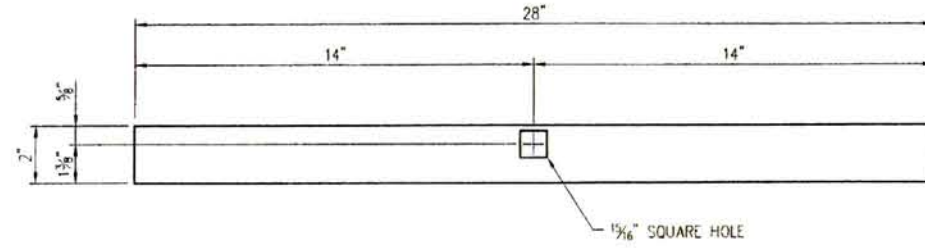


L	NO CHANGE TO THIS SHEET	6/27/12	MLF	THIS DOCUMENT IS THE PROPERTY OF OLDCASTLE PRECAST, INC. IT IS SUBMITTED FOR REFERENCE PURPOSES ONLY AND SHALL NOT BE USED IN ANY WAY INJURIOUS TO THE INTERESTS OF SAID COMPANY. COPYRIGHT © 2012 Oldcastle Precast, Inc. All Rights Reserved.	SALES	DATE	6/22/10	332-NS-SA-80 "WSDOT ITS" WELDMENT DETAILS CUSTOMER STANDARD PRODUCT	CUSTOMER WASHINGTON STATE D.O.T. DRAWING NUMBER 010-2270304-001	SHEET 3 of 5 REVISION L	
-	(SEE CAD FILE FOR COMPLETE REVISION HISTORY)	-	-		DESIGNER	JG	WEIGHT				
LTR.	REVISION	DATE	BY		CHECKED		CALC NO				

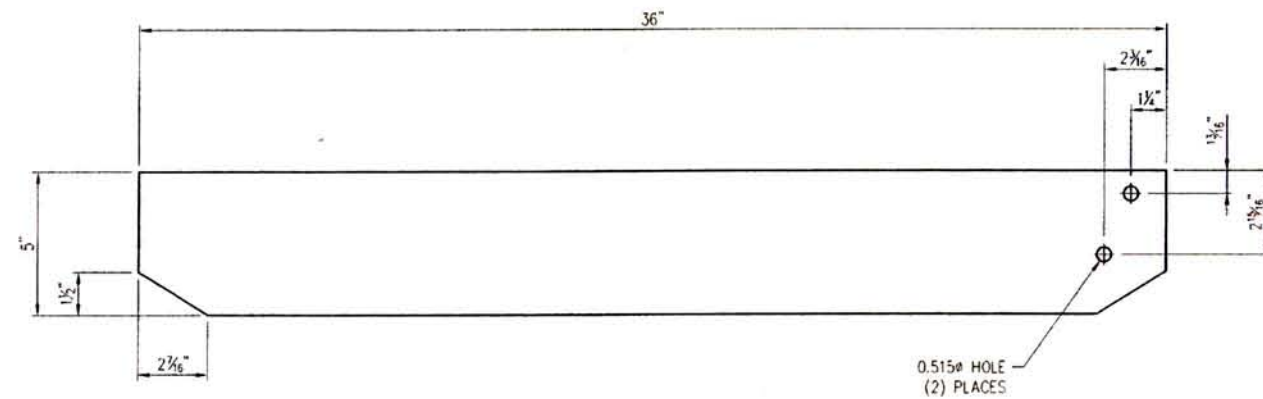




PART No. 15



PART No. 16



PART No. 23

SHOP NOTES

1. PLASMA PROGRAM NAMES: 332-NS-SA-80 STYLE-P15
2. CUT w/SLIPNOT PATTERN UP

LAYOUT CUT LIST			
PART	QTY	DESCRIPTION	SIZE
15	1	Slipnot Plate 72" x 120" x 3/16"	
16	1	Flatbar 1/4" x 2"	28"
23	2	Flatbar 1/4" x 5"	36"

APPROVED
 Washington State
 Department of Transportation
 HQ Traffic Operations Office
 DATE July 30, 2012 TAT

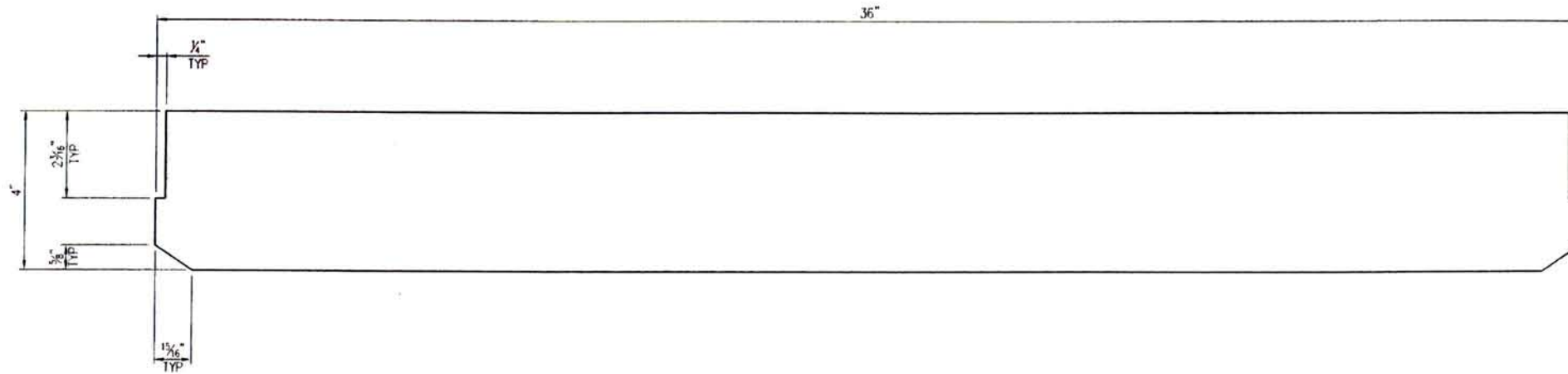


L	NO CHANGE TO THIS SHEET	6/27/12	MLF	THIS DOCUMENT IS THE PROPERTY OF Oldcastle PRECAST, INC. IT IS SUBMITTED FOR REFERENCE PURPOSES ONLY AND SHALL NOT BE USED IN ANY WAY INJURIOUS TO THE INTERESTS OF SAID COMPANY. COPYRIGHT © 2012 Oldcastle Precast, Inc. All Rights Reserved	SALES	DATE 6/22/10
-	(SEE CAD FILE FOR COMPLETE REVISION HISTORY)	-	-		DESIGNER JG	WEIGHT
LTR.	REVISION	DATE	BY		CHECKED	CALC NO

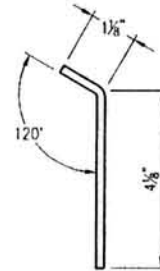


332-NS-SA-80 "WSDOT ITS"
 PLASMA & PART CUT DETAILS
 CUSTOMER STANDARD PRODUCT

CUSTOMER	WASHINGTON STATE D.O.T.	SHEET	4 of 5
DRAWING NUMBER	010-2270304-001	REVISION	L

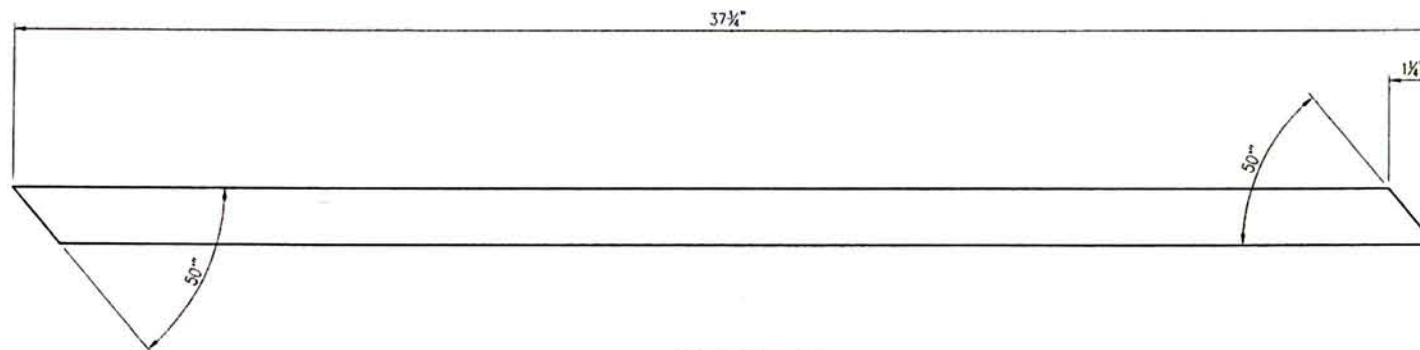


PART No. 19



PART No. 20

LAYOUT CUT LIST			
PART	QTY	DESCRIPTION	SIZE
19	4	Flatbar 1/4" x 4"	36"
20	2	Flatbar 1/4" x 5"	1/2"
22	2	Flatbar 3/16" x 1-1/2"	37 3/4"

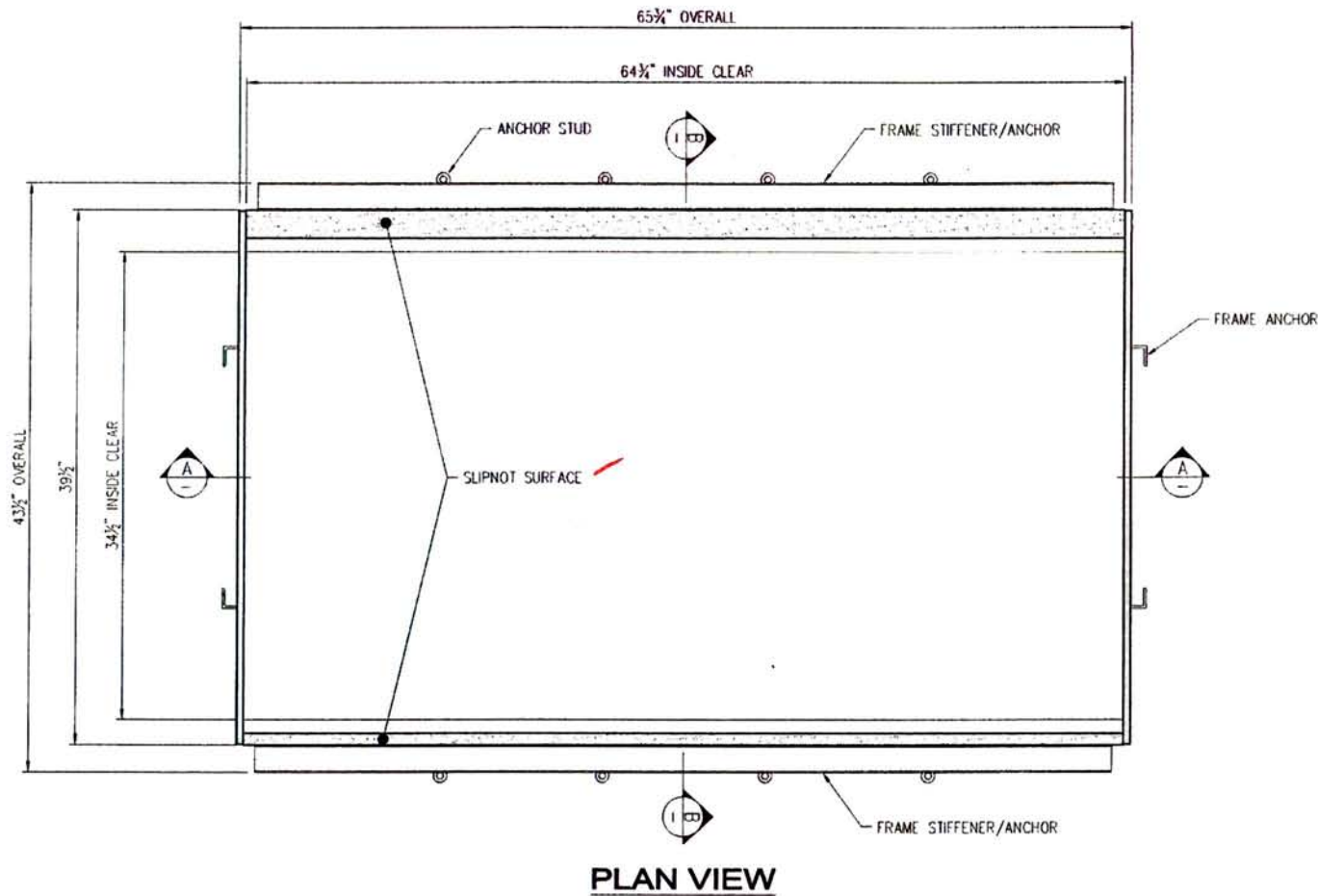


PART No. 22

APPROVED
 Washington State
 Department of Transportation
 HQ Traffic Operations Office
 DATE July 30, 2012 TAT



L	NO CHANGE TO THIS SHEET	6/27/12	MLF	THIS DOCUMENT IS THE PROPERTY OF Oldcastle PRECAST, INC. IT IS SUBMITTED FOR REFERENCE PURPOSES ONLY AND SHALL NOT BE USED IN ANY WAY INJURIOUS TO THE INTERESTS OF SAID COMPANY. COPYRIGHT © 2012 Oldcastle Precast, Inc. All Rights Reserved.	SALES	DATE 6/22/10	 P.O. BOX 888 ALBUQU, NM 80714-0888 PHONE: 800-888-1828 FAX: 505-756-0201	332-NS-SA-80 "WSDOT ITS" PART CUT DETAILS CUSTOMER STANDARD PRODUCT	CUSTOMER	WASHINGTON STATE D.O.T.	SHEET	
-	(SEE CAD FILE FOR COMPLETE REVISION HISTORY)	-	-		DESIGNER	JG			WEIGHT	DRAWING NUMBER	010-2270304-001	5 OF 5
LTR.	REVISION	DATE	BY		CHECKED				CALC NO		REVISION	L

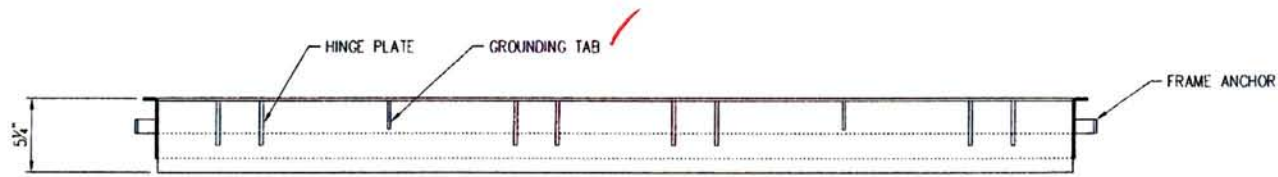


STRUCTURAL NOTES

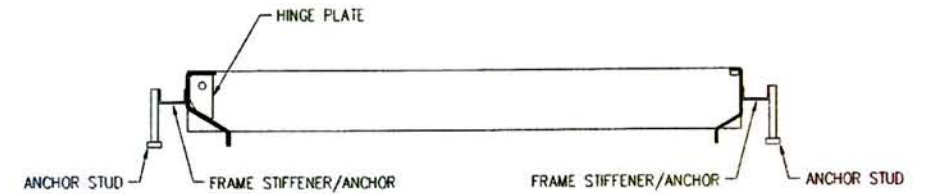
1. MATERIAL: ASTM A36/A1011 STRUCTURAL STEEL STANDARDS
2. ASSEMBLY: AWS D1.1 WELDING STANDARDS
3. COATING: ASTM A123 HOT-DIP GALVANIZING STANDARDS
4. LOADS: SUITABLE FOR AASHTO H-20 WHEEL LOADING IN OFF-STREET LOCATIONS WHERE NOT SUBJECTED TO HIGH-DENSITY TRAFFIC

GENERAL NOTES

1. DOORS AVAILABLE TO USE WITH THIS FRAME:
2270304 (332-NS-SA-80 "WSDOT ITS")



SECTION AA



SECTION BB

APPROVED

Washington State
Department of Transportation
HQ Traffic Operations Office
DATE July 30, 2012 TAT

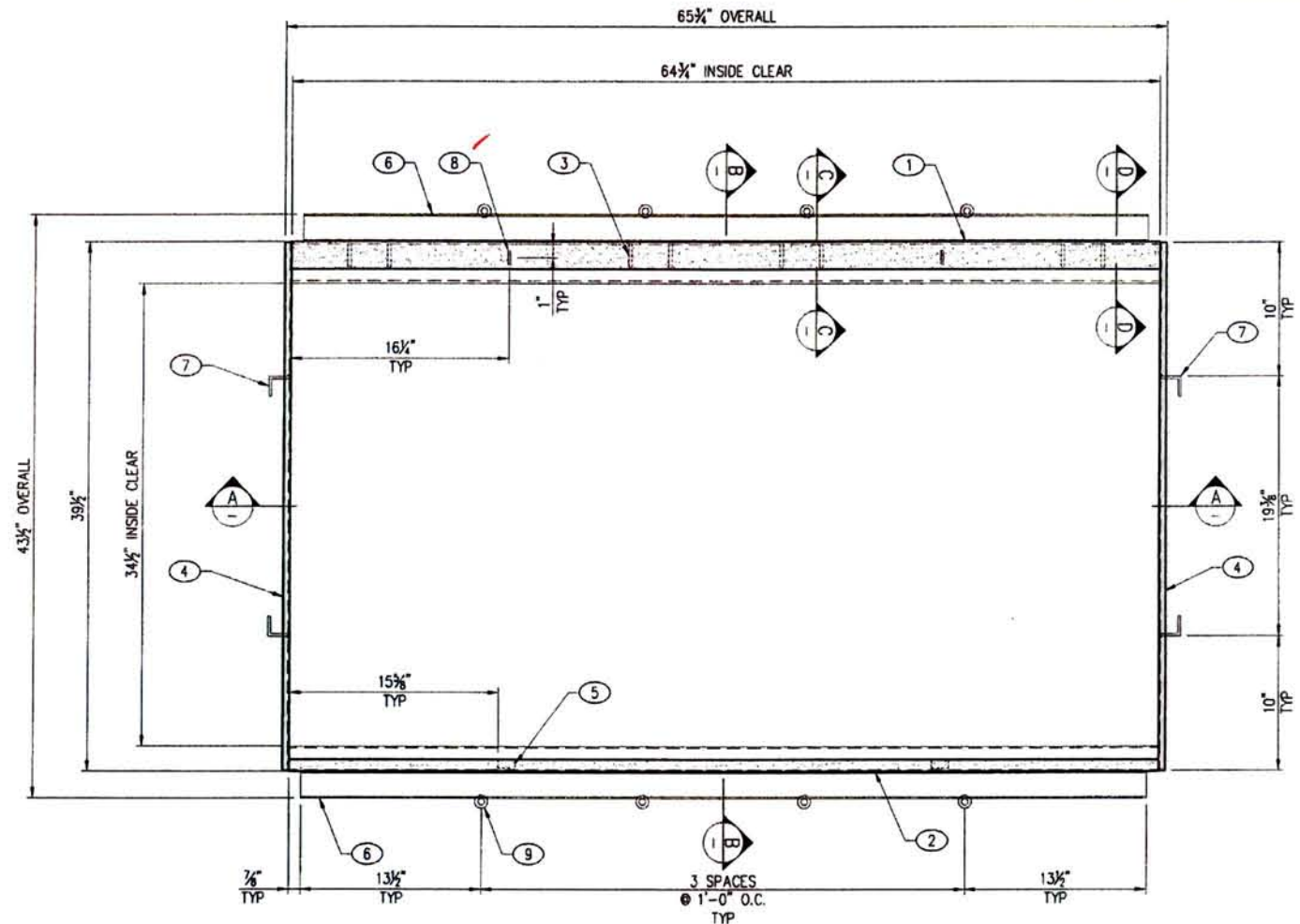


H	NO CHANGE TO THIS SHEET	6/27/12	MLF	THIS DOCUMENT IS THE PROPERTY OF Oldcastle PRECAST, INC. IT IS SUBMITTED FOR REFERENCE PURPOSES ONLY AND SHALL NOT BE USED IN ANY MANNER INJURIOUS TO THE INTERESTS OF SAID COMPANY. COPYRIGHT © 2012 Oldcastle Precast, Inc. All Rights Reserved.	SALES	DATE	6/23/10	
-	(SEE CAD FILE FOR COMPLETE REVISION HISTORY)	-	-		DESIGNER	JG	WEIGHT	72 lbs
LTR.	REVISION	DATE	BY		CHECKED		CALC NO	

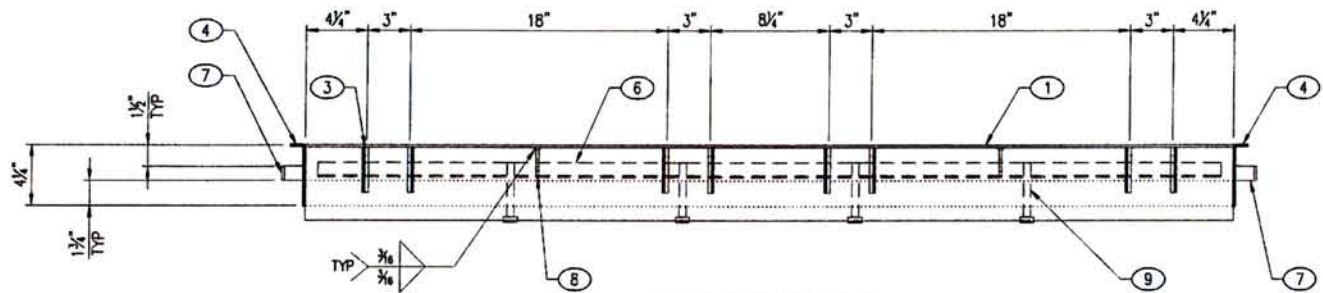


2-332-SA-80 FRAME -- WSDOT
CUSTOMER STANDARD PRODUCT

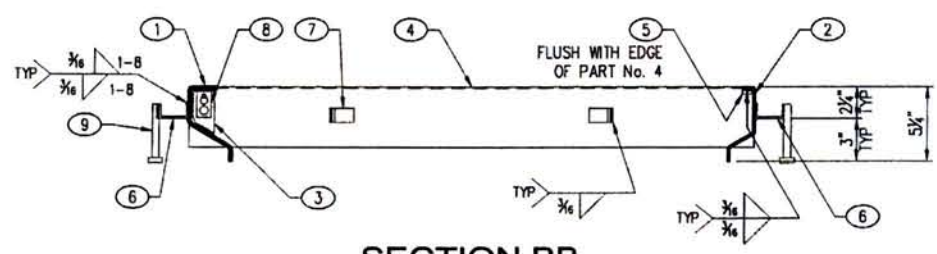
CUSTOMER	WASHINGTON STATE D.O.T.	SHEET	1 of 4
DRAWING NUMBER	010-2270045-001	REVISION	H



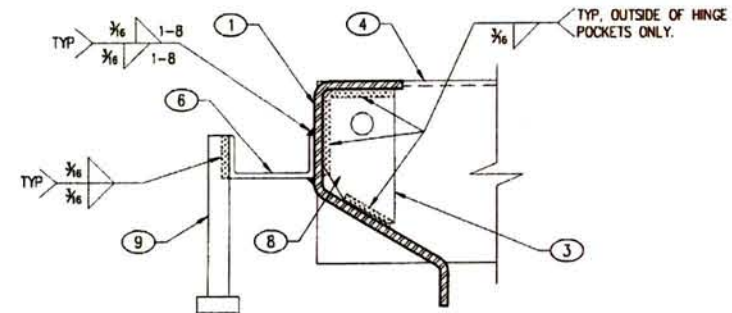
PLAN VIEW



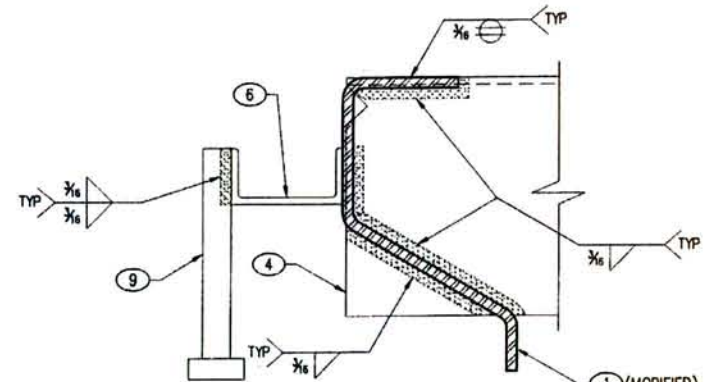
SECTION AA



SECTION BB



SECTION CC



SECTION DD
TYPICAL ALL CORNERS

BILL OF MATERIAL					
ASTM SPEC	PART	QTY	UM	DESCRIPTION	ITEM #
A36	1	1	ea	Rear Frame Member	010-5340700-000
A36	2	1	ea	Front Frame Member	010-5340710-000
A1018	3	8	ea	Hinge Plate (1/4")	010-5220100-001
A36	8	2	ea	Ground Plate w/ 2 Holes	010-5210010-001
A108	9	8	ea	Stud 1/2" x 4-1/8"	010-5910460-000
A36		0.17	lbs	Flatbar 3/8" x 1-1/4"	010-5520181-000
A36		0.05	sht	Smooth Plate 72" x 120" x 3/16"	010-5540174-000
A36		16.80	lbs	Channel 2" x 1" x 1/8"	010-5520230-000
A36		0.60	lbs	Angle 1-1/2" x 1-1/2" x 3/16"	010-5510210-000
A123		72	lbs	Galvanizing Per Lb.	010-5800000-000
A36		0.03	sht	SlipNot Plate 72" x 120" x 3/16"	010-5540120-000

MODIFIED SEE SHEET 4

MODIFIED SEE SHEET 4

LAYOUT CUT LIST			
PART	QTY	DESCRIPTION	SIZE
4	2	Smooth Plate 72" x 120" x 3/16"	Sheet 3
5	2	Flatbar 3/8" x 1 1/4"	5/8"
6	2	Channel 2" x 1" x 1/8"	6.3"
7	4	Angle 1-1/2" x 1-1/2" x 3/16"	1"
8	1	Slipnot Plate 72" x 120" x 3/16"	Sheet 4
9	1	Slipnot Plate 72" x 120" x 3/16"	Sheet 4

THIS PART IS USED TO CREATE PART No. 1

THIS PART IS USED TO CREATE PART No. 2

SHOP NOTES

- OVERALL DIMENSIONS HAVE A MAXIMUM ALLOWABLE TOLERANCE OF $\pm 1/16$ "
- ALL WELDS ARE $3/16$ " FILLET WELDS, UNLESS OTHERWISE NOTED
- GRIND ALL SHARP EDGES
- DOOR TO BE HOT-DIPPED GALVANIZED AFTER FABRICATION.

APPROVED
Washington State
Department of Transportation
HQ Traffic Operations Office
DATE July 30, 2012 TAT



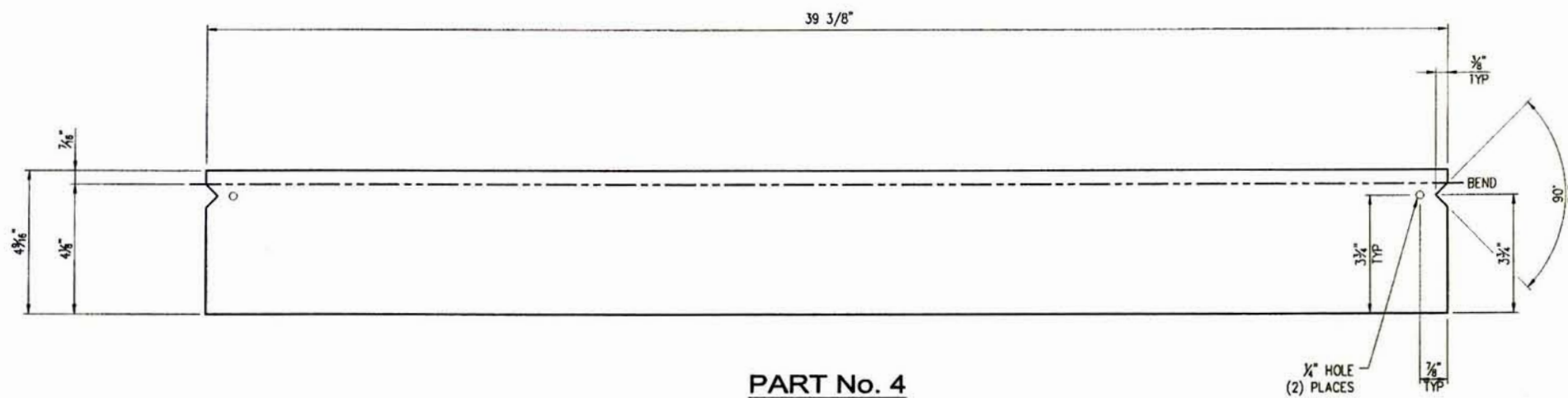
H	UPDATED BOM	6/27/12	MLF
-	(SEE CAD FILE FOR COMPLETE REVISION HISTORY)	-	-
LTR.	REVISION	DATE	BY

SALES	DATE
	6/23/10
DESIGNER	WEIGHT
JG	72 lbs
CHECKED	CALC NO

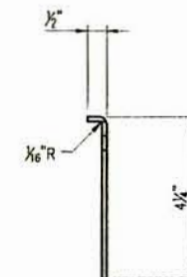


2-332-SA-80 FRAME - WSDOT
ASSEMBLY & WELD DETAILS
CUSTOMER STANDARD PRODUCT

CUSTOMER	SHEET
WASHINGTON STATE D.O.T.	2 of 4
DRAWING NUMBER	REVISION
010-2270045-001	H



PART No. 4
FLAT PATTERN DETAIL



PART No. 4
BEND DETAIL

LAYOUT CUT LIST			
PART	QTY	DESCRIPTION	SIZE
4	2	Smooth Plate 72" x 120" x 3/16"	--

SHOP NOTES

1. PLASMA PROGRAM NAMES: WSDOT-SA-80FRAME-P4
2. CUT WITH SLIPNOT FINISH SIDE UP

APPROVED
Washington State
Department of Transportation
HQ Traffic Operations Office
DATE July 30, 2012 TAT

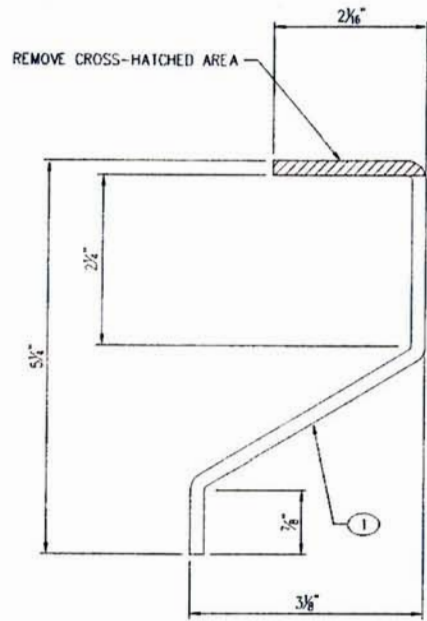


H	NO CHANGE TO THIS SHEET	6/27/12	MLF	THIS DOCUMENT IS THE PROPERTY OF OLDCASTLE PRECAST, INC. IT IS SUBMITTED FOR REFERENCE PURPOSES ONLY AND SHALL NOT BE USED IN ANY WAY INJURIOUS TO THE INTERESTS OF SAID COMPANY. COPYRIGHT © 2012 Oldcastle Precast, Inc. All Rights Reserved	SALES	DATE	6/23/10	
-	(SEE CAD FILE FOR COMPLETE REVISION HISTORY)	-	-		DESIGNER	JG	WEIGHT	
LTR.	REVISION	DATE	BY		CHECKED		CALC NO	

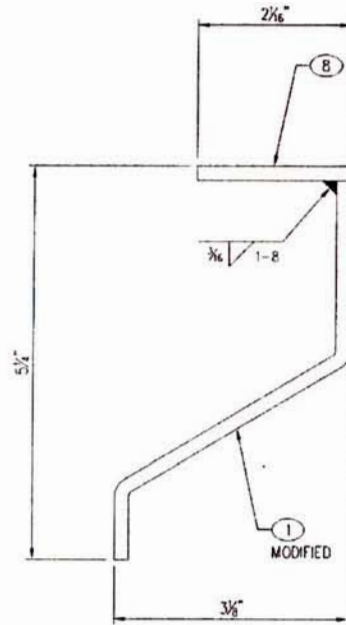


2-332-SA-80 FRAME - WSDOT
PART CUT & PLASMA DETAILS
CUSTOMER STANDARD PRODUCT

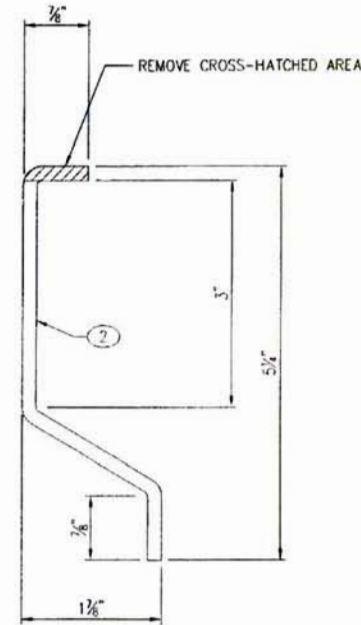
CUSTOMER	WASHINGTON STATE D.O.T.	SHEET	3 of 4
DRAWING NUMBER	010-2270045-001	REVISION	H



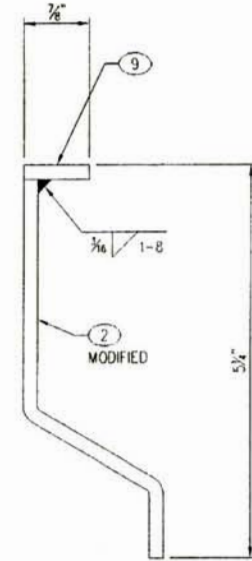
PART No. 1
LEG CUT-OFF MODIFICATION



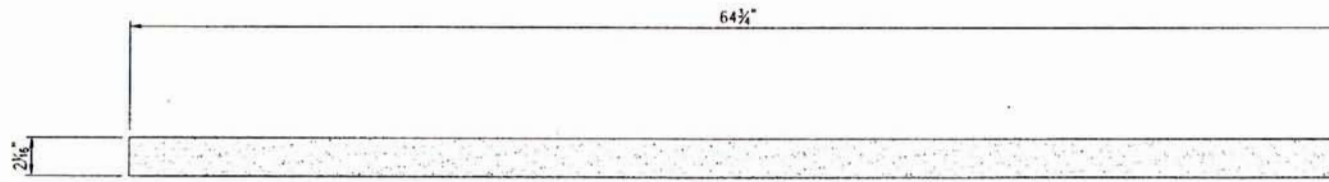
FINISHED PART No. 1
SLIPNOT LEG ADD-ON
WELD DETAIL



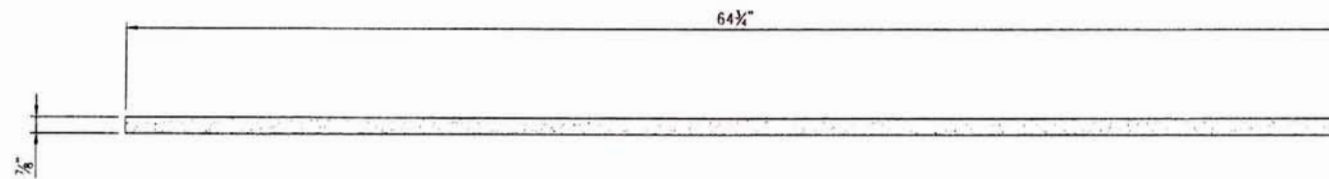
PART No. 2
LEG CUT-OFF MODIFICATION



FINISHED PART No. 2
SLIPNOT LEG ADD-ON
WELD DETAIL



PART No. 8



PART No. 9

SHOP NOTES

1. PLASMA PROGRAM NAMES: WSDOT-SA-80FRAME-P8
WSDOT-SA-80FRAME-P9
2. CUT WITH SLIPNOT FINISH SIDE UP

LAYOUT CUT LIST			
PART	QTY	DESCRIPTION	SIZE
8	1	Slipnot Plate 72" x 120" x 3/16"	--
9	1	Slipnot Plate 72" x 120" x 3/16"	--

APPROVED

Washington State
Department of Transportation
HQ Traffic Operations Office

DATE July 30, 2012 TAT



H	NO CHANGE TO THIS SHEET	6/27/12	MLF
-	(SEE CAD FILE FOR COMPLETE REVISION HISTORY)	-	-
LTR.	REVISION	DATE	BY

THIS DOCUMENT IS THE PROPERTY OF OLDCASTLE PRECAST, INC. IT IS SUBMITTED FOR REFERENCE PURPOSES ONLY AND SHALL NOT BE USED IN ANY WAY INJURIOUS TO THE INTERESTS OF SAID COMPANY. COPYRIGHT © 2012 Oldcastle Precast, Inc. All Rights Reserved

SALES	DATE	6/23/10
DESIGNER	JG	WEIGHT
CHECKED		CALC NO



2-332-SA-80 FRAME - WSDOT
PART CUT & WELDMENT DETAIL
CUSTOMER STANDARD PRODUCT

CUSTOMER	WASHINGTON STATE D.O.T.	SHEET	4 OF 4
DRAWING NUMBER	010-2270045-001	REVISION	H

EJIW EAST JORDAN
 IRON WORKS EST. 1883
 800-626-4653
 www.ejiw.com
 MADE IN USA

PRODUCT NUMBER
00268801

CATALOG NUMBER
2688Z2PT
2688 APT DI

MANHOLE
 ASSEMBLY

LOAD RATING
HEAVY DUTY

COATING
UNDIPPED

ESTIMATED WEIGHT
 COVER: 311 LBS
 FRAME: 225 LBS
 UNIT: 532 LBS

MATERIAL SPECIFICATION
 COVER - DUCTILE IRON ✓
 ASTM A536
 FRAME - GRAY IRON
 ASTM A48 CL35B

OPEN AREA
 N/A

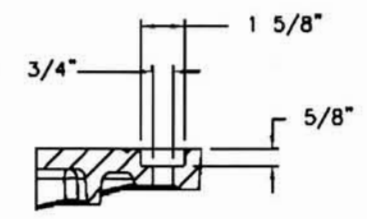
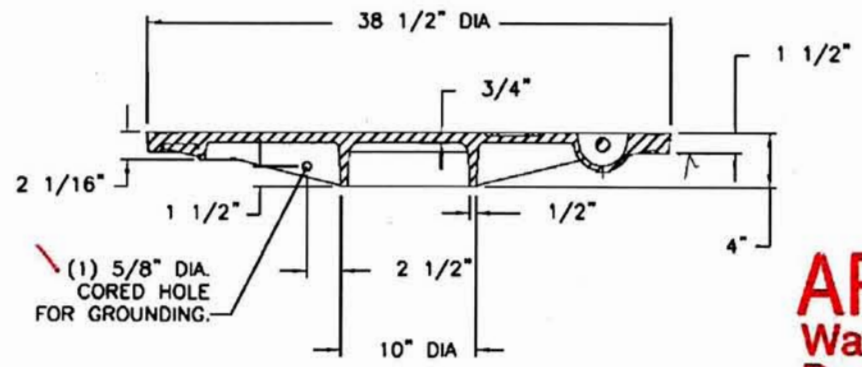
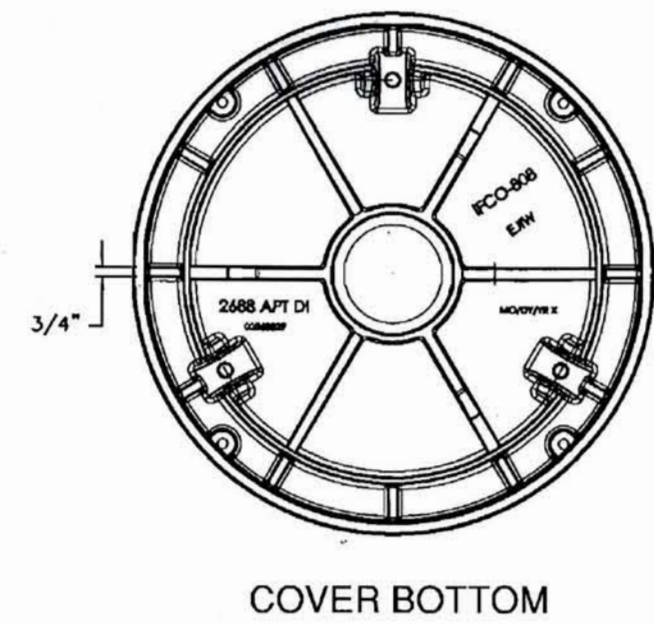
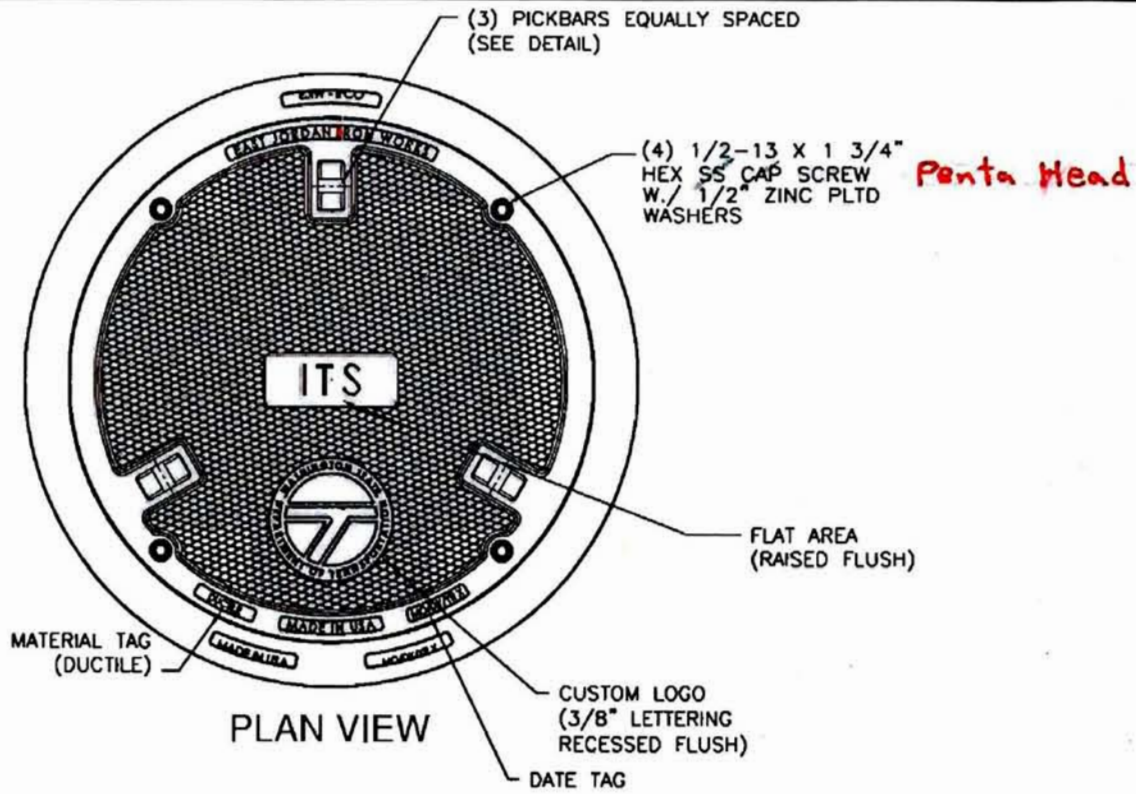
✓ DESIGNATES MACHINED SURFACE

DRAWN DEW	DATE 05/18/06
--------------	------------------

LAST REVISED JJD	DATE 05/22/08
---------------------	------------------

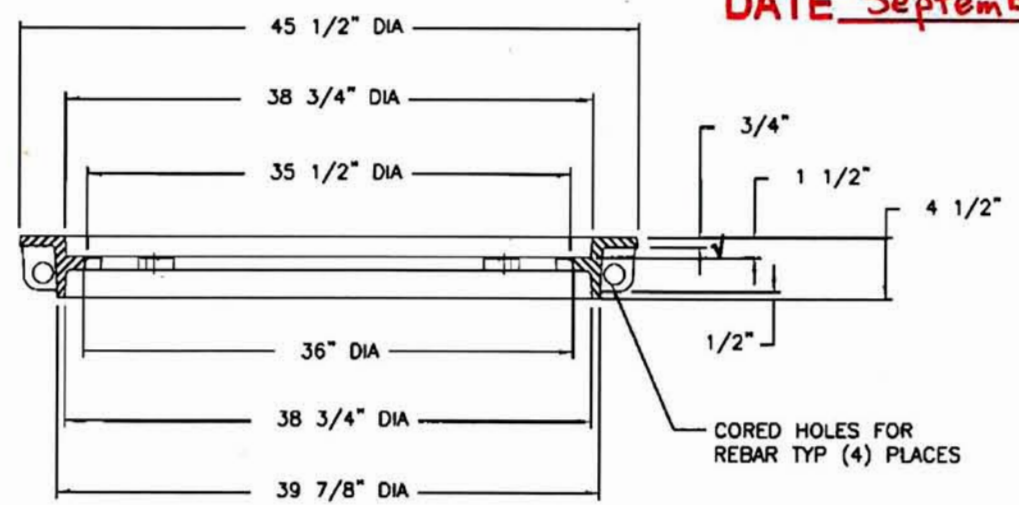
REFERENCE INFORMATION

00XXXXXX

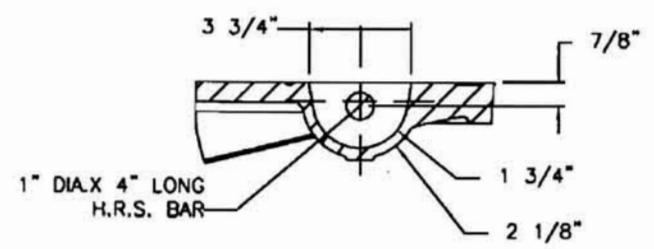


BOLTHOLE
 DETAIL

APPROVED AS NOTED
 Washington State
 Department of Transportation
 HQ Traffic Operations Office
 DATE September 1, 2010 TAT



FRAME SECTION



PICKBAR
 DETAIL

✓ MACHINED SURFACE

CONFIDENTIAL: This drawing is the property of East Jordan Iron Works, Inc. and embodies confidential information, trade secret information, and/or know how that is the property of East Jordan Iron Works, Inc. © Copyright 2007 East Jordan Iron Works, Inc.

800-626-4653
www.ejiw.com
MADE IN USA

PRODUCT NUMBER
00268829

CATALOG NUMBER
2688APT DI

COVER

LOAD RATING
HEAVY DUTY

COATING
UNDIPPED

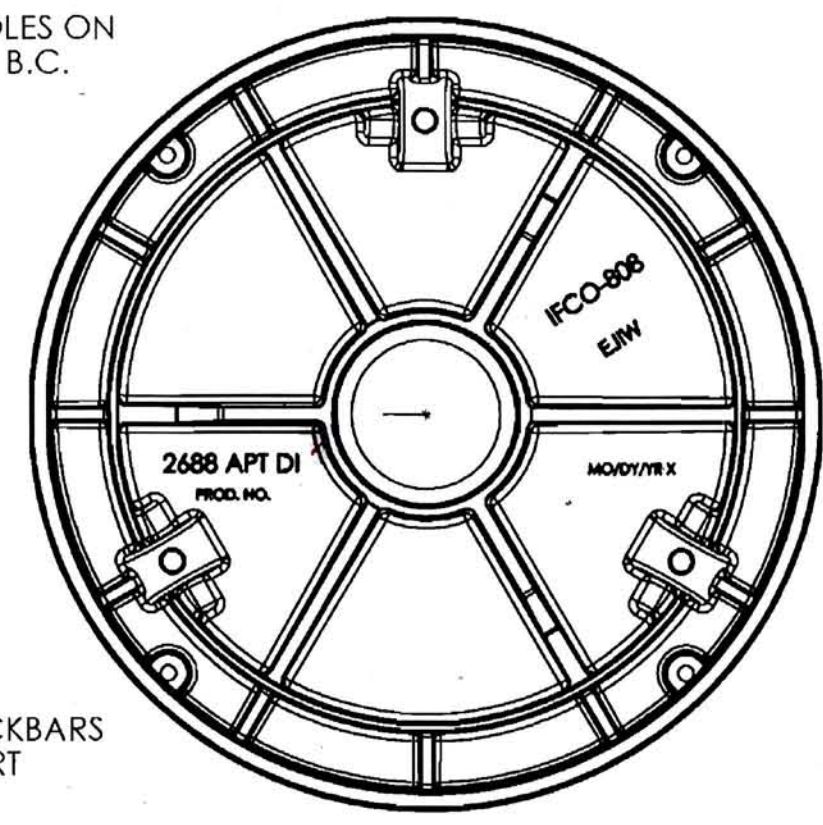
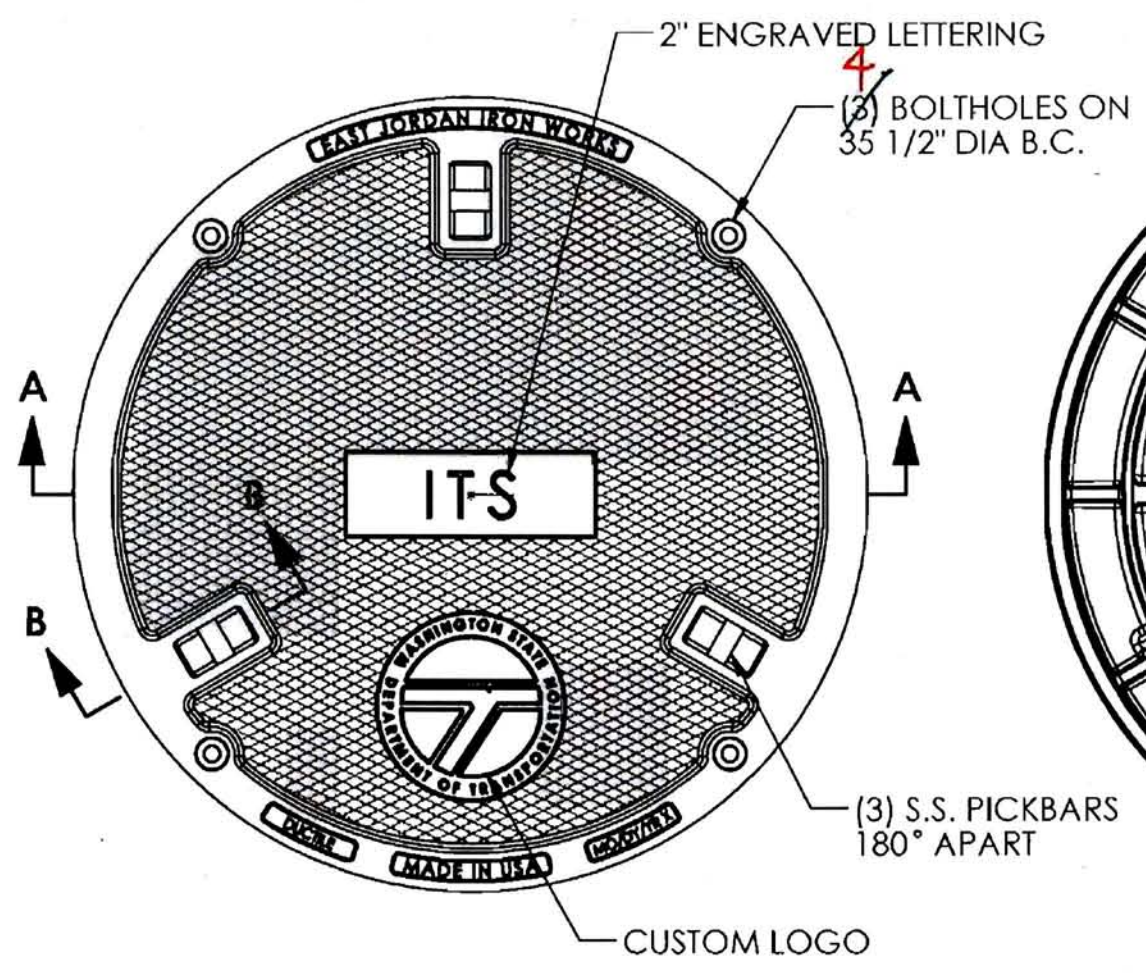
SPECIFICATION

COVER-DUCTILE IRON
ASTM A536

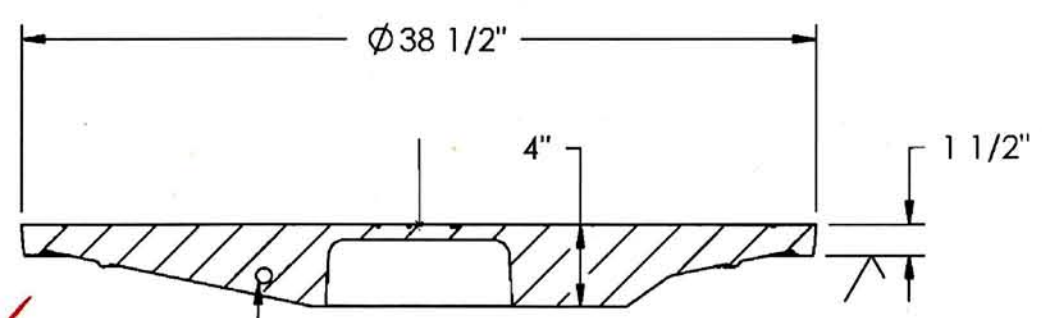
OPEN AREA
N/A

√ DESIGNATES
MACHINED SURFACE

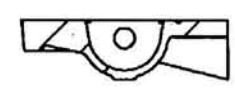
DRAWN DEW	DATE 8/30/2007
LAST REVISED DEW	DATE 5/19/2009



BOTTOM VIEW



SECTION A-A



SECTION B-B

APPROVED
 Washington State
 Department of Transportation
 HQ Traffic Operations Office
 DATE September 1, 2010 TAT