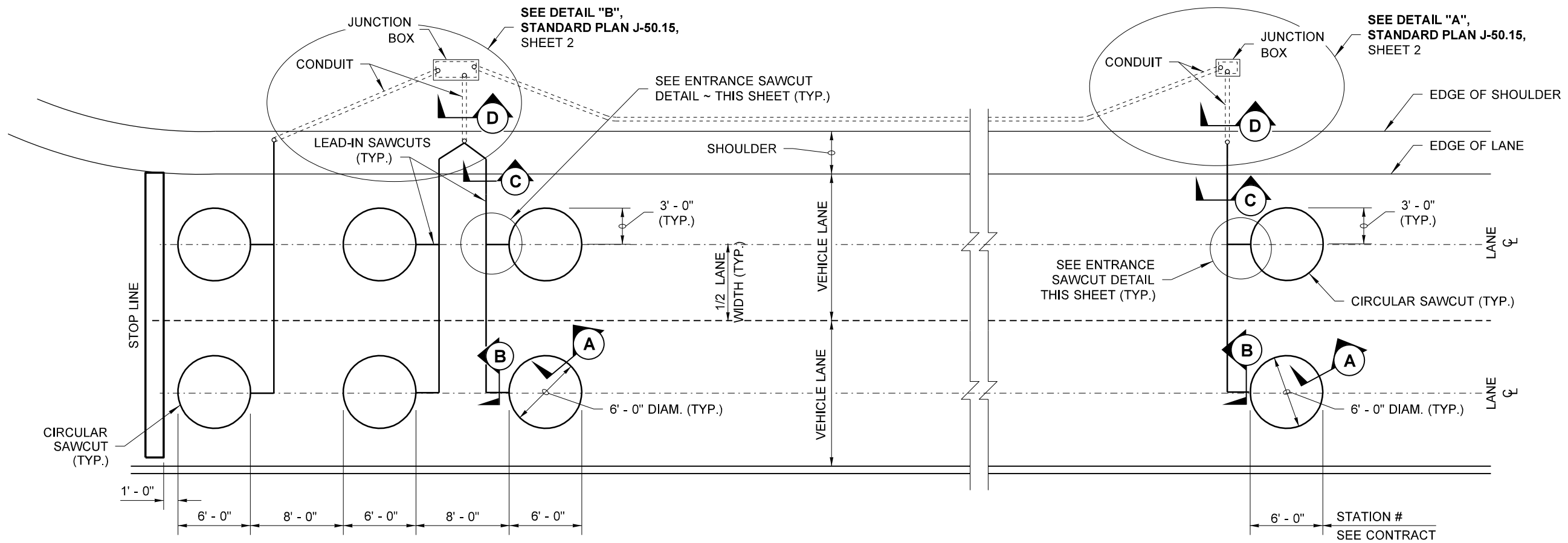


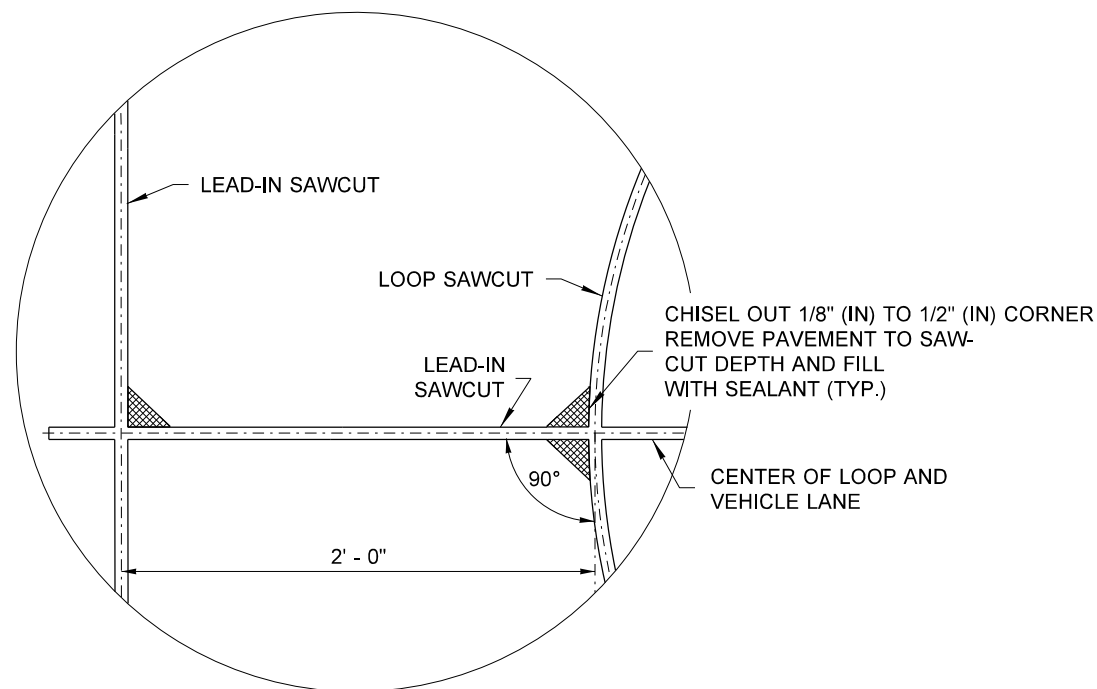
DRAWN BY: FERN LIDDELL



TYPE 3S (STOP LINE) LOOP ARRAY

TYPE 3A (ADVANCE) LOOPS

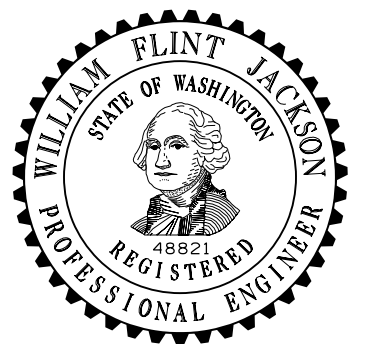
PLAN



ENTRANCE SAWCUT DETAIL

NOTES

1. For Installation Notes and Details see **Standard Plan J-50.15**.
2. For **Sections A, B, C, and D**, see **Standard Plan J-50.15**.
3. All of the loop lead-in wires shall return to the Junction Box
4. For additional Induction Loop Details, see **Standard Plan J-50.15**.



**TYPE 3 INDUCTION LOOP
STANDARD PLAN J-50.12-02**

SHEET 1 OF 1 SHEET

APPROVED FOR PUBLICATION

STATE DESIGN ENGINEER
Washington State Department of Transportation