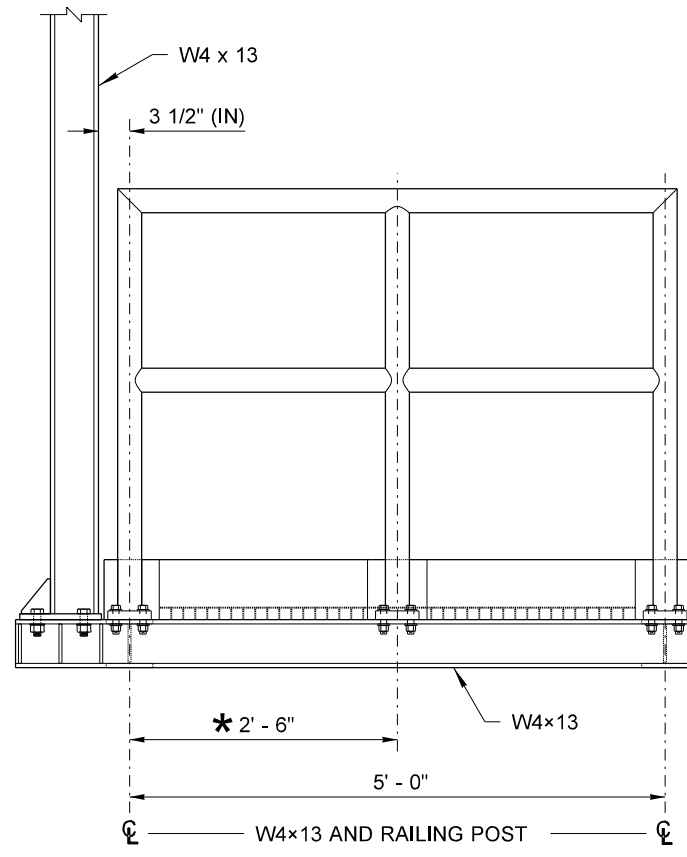
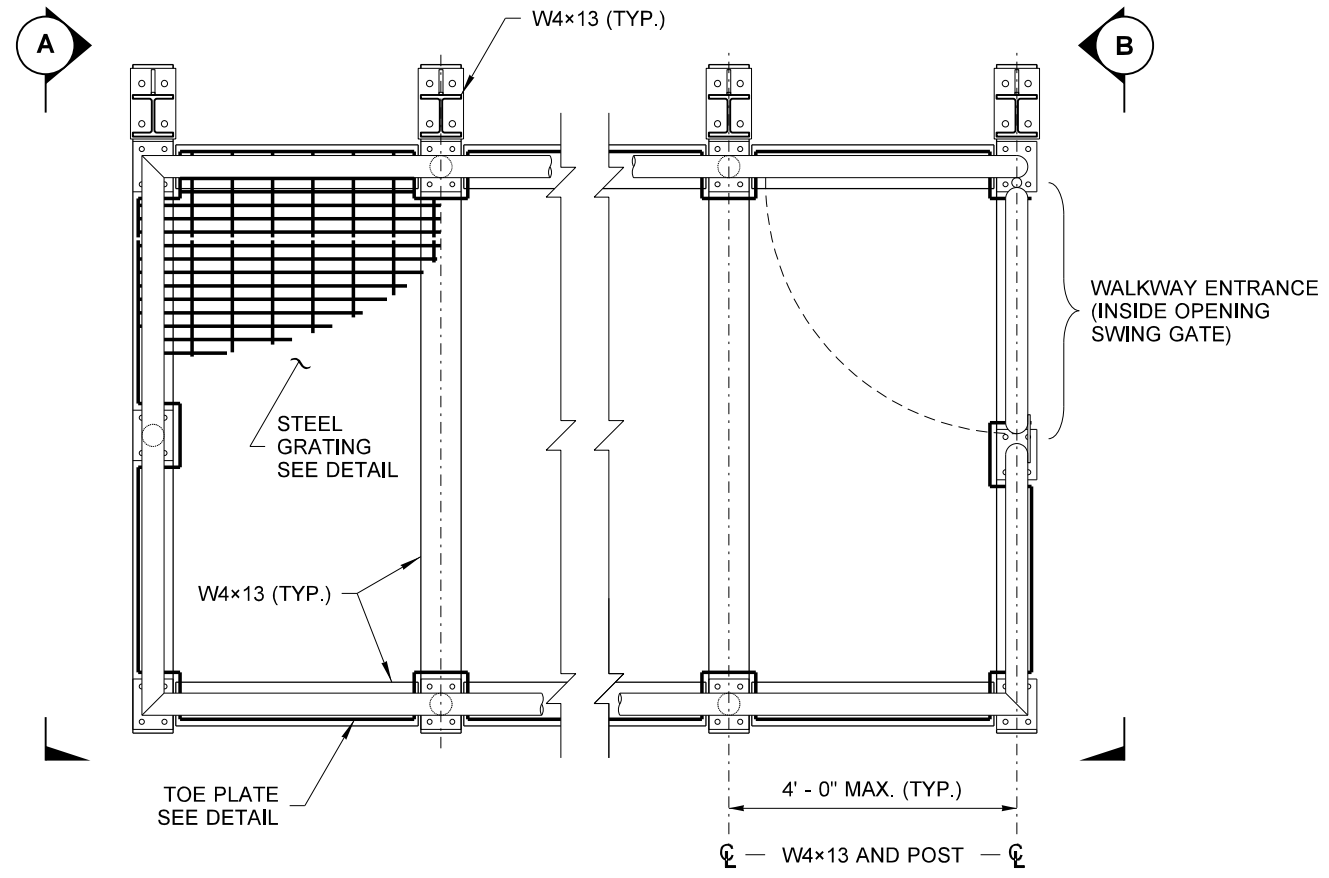


DRAWN BY: BILL BERENS

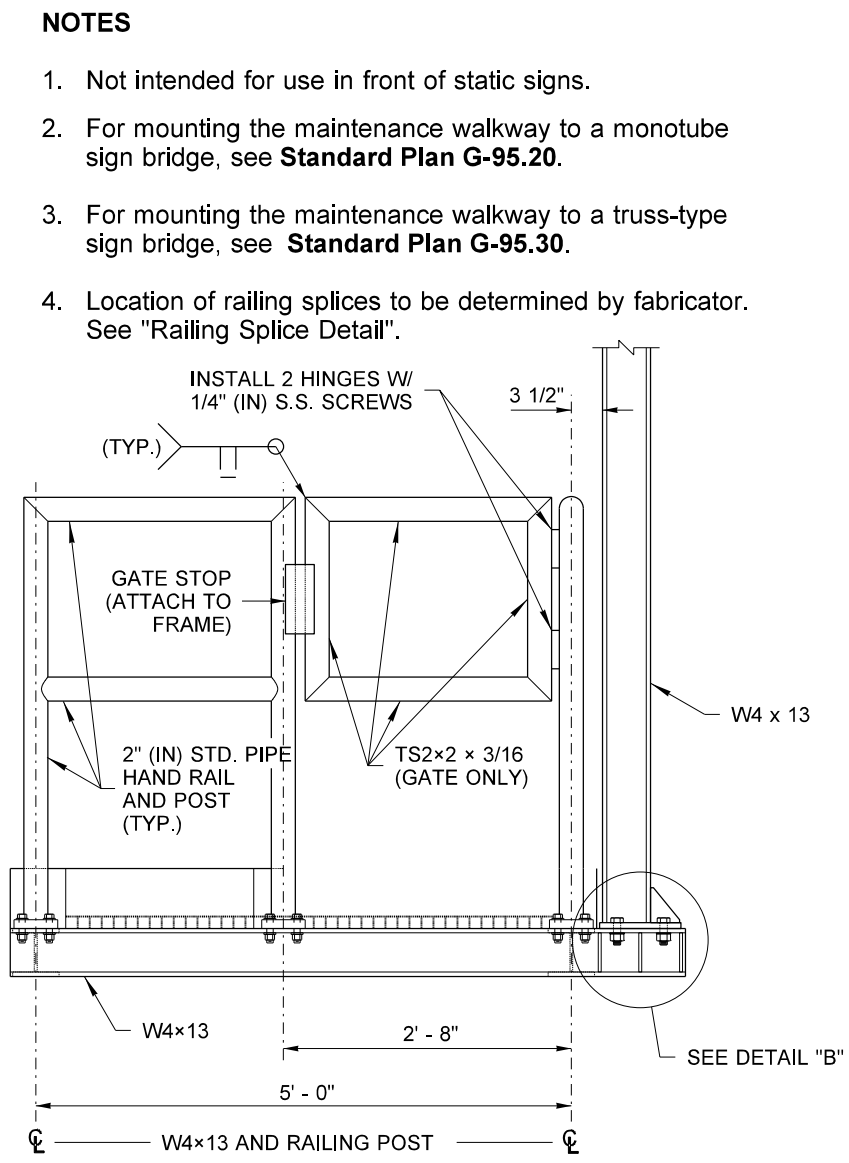


END VIEW A

* MODIFY DIMENSION AS REQUIRED FOR PROPER FIT-UP WITH THE VMS DOOR OPENING.



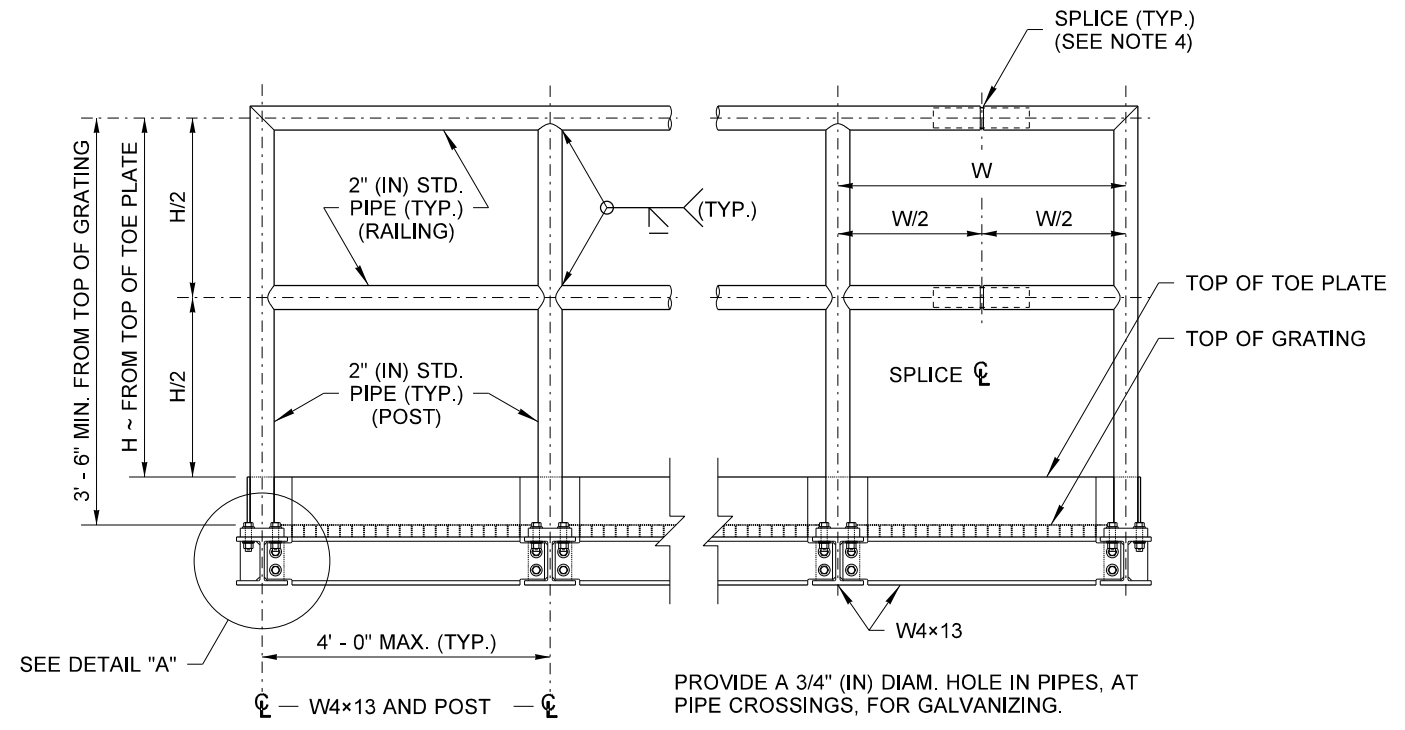
PLAN MAINTENANCE WALKWAY



MAINTENANCE WALKWAY GATE

END VIEW B

MATERIAL SPECIFICATIONS	
PIPE	ASTM A 36 OR ASTM A 53 GRADE B, TYPE E OR S, OR ASTM A 500 GRADE B
PLATES AND SHAPES	ASTM A 36
STRUCTURAL TUBING	ASTM A 500 GRADE B
GALVANIZING FOR PIPE PLATES, SHAPES AND STEEL GRATING	AASHTO M 111
HIGH STRENGTH BOLTS, NUTS, & WASHERS; INCL. MOUNTING BEAM BOLTS	STD SPEC. SECT. 9-06.5(3)
ALL OTHER BOLTS	STD SPEC. SECT. 9-06.5(1)
FASTENER GALVANIZING	ASTM F2329
STEEL GRATING	ASTM A 36



ELEVATION MAINTENANCE WALKWAY

PROVIDE A 3/4" (IN) DIAM. HOLE IN PIPES, AT PIPE CROSSINGS, FOR GALVANIZING.

- NOTES**
1. Not intended for use in front of static signs.
 2. For mounting the maintenance walkway to a monotube sign bridge, see **Standard Plan G-95.20**.
 3. For mounting the maintenance walkway to a truss-type sign bridge, see **Standard Plan G-95.30**.
 4. Location of railing splices to be determined by fabricator. See "Railing Splice Detail".

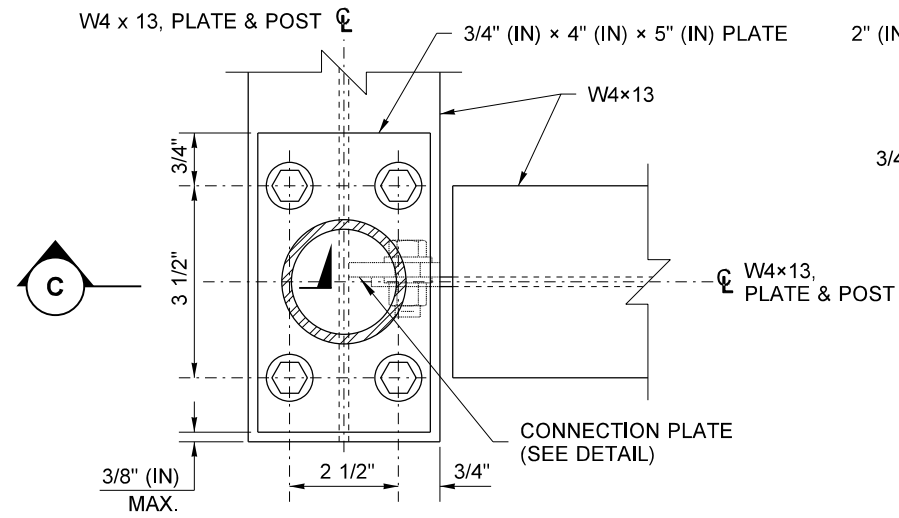


MAINTENANCE WALKWAY FOR SIGN BRIDGES
STANDARD PLAN G-95.10-02

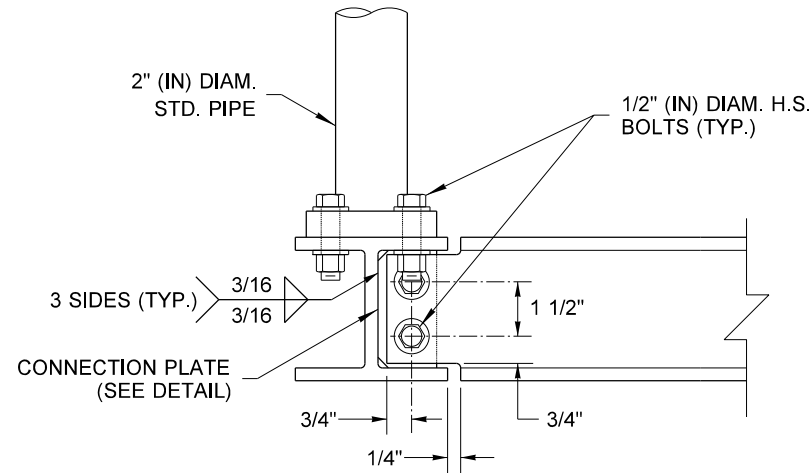
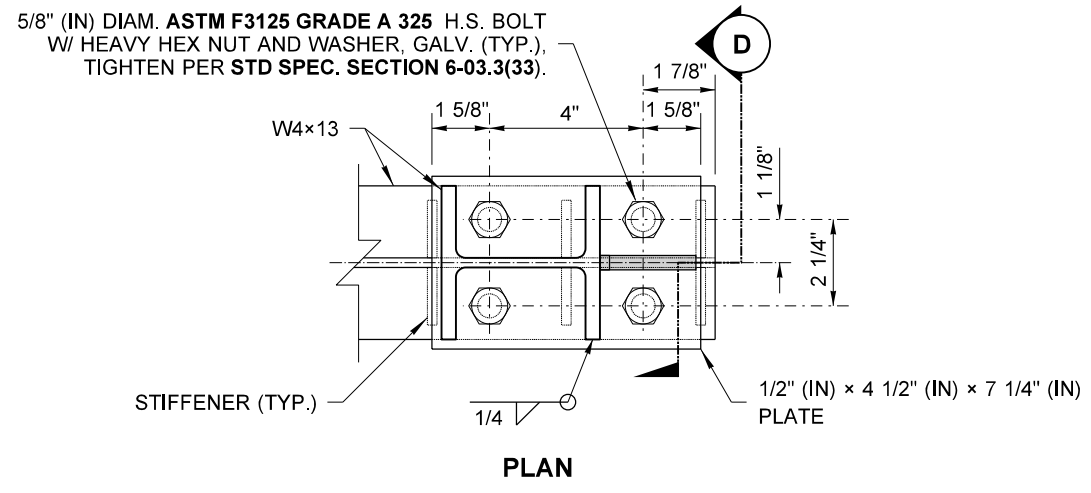
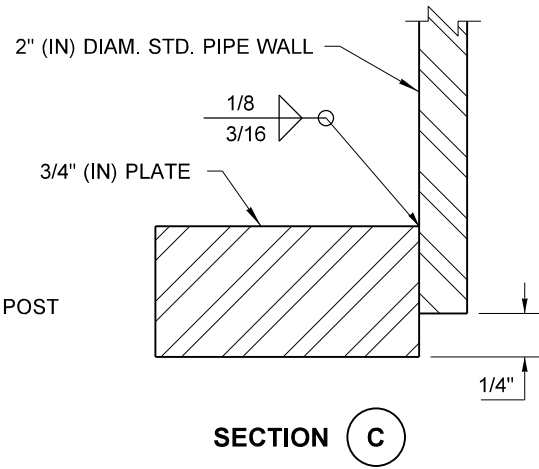
SHEET 1 OF 3 SHEETS

APPROVED FOR PUBLICATION

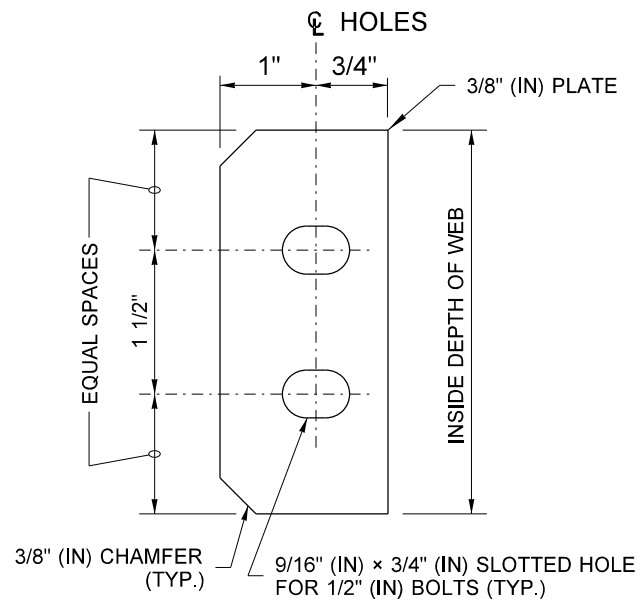
DRAWN BY: BILL BERENS



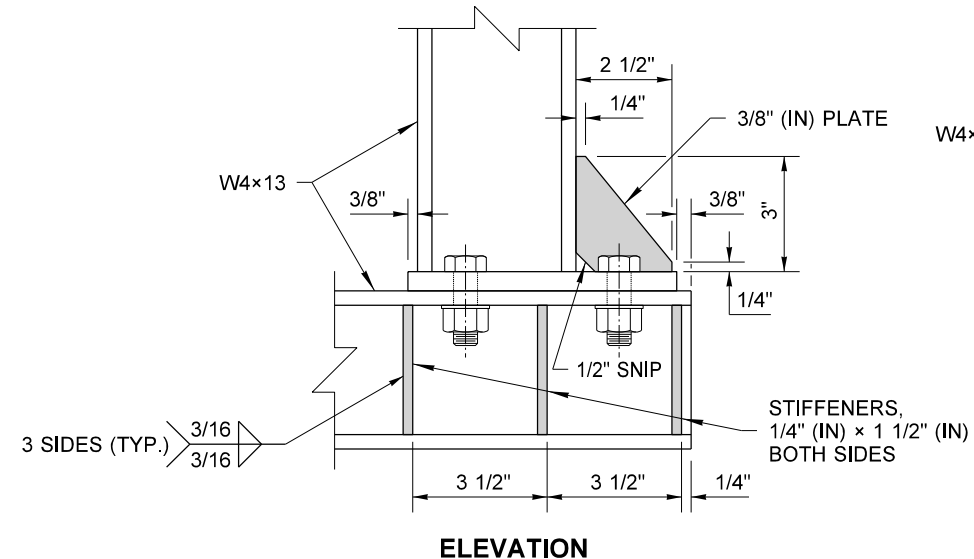
PLAN



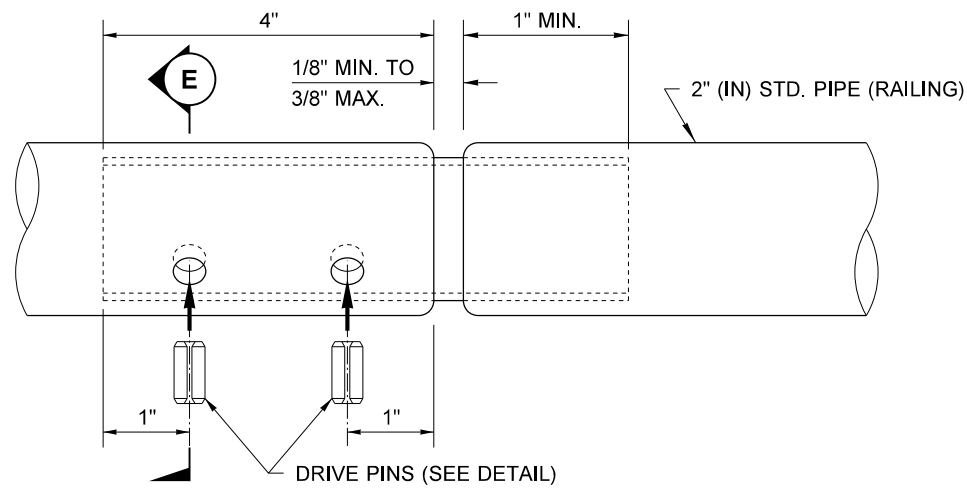
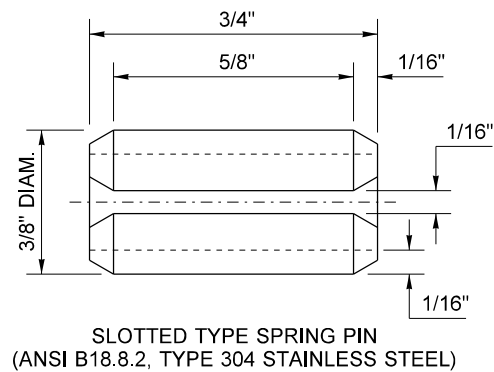
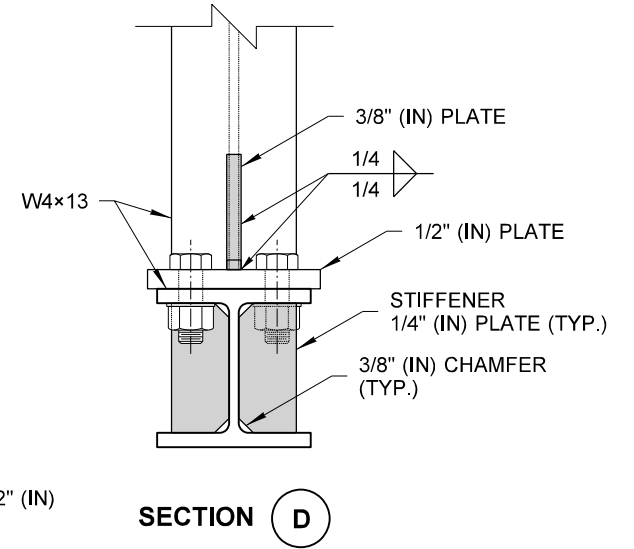
ELEVATION



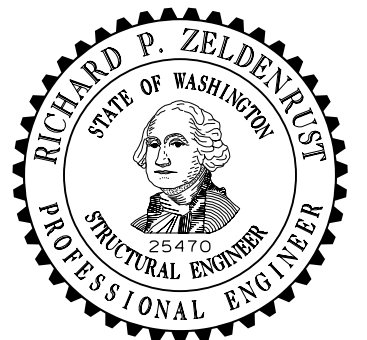
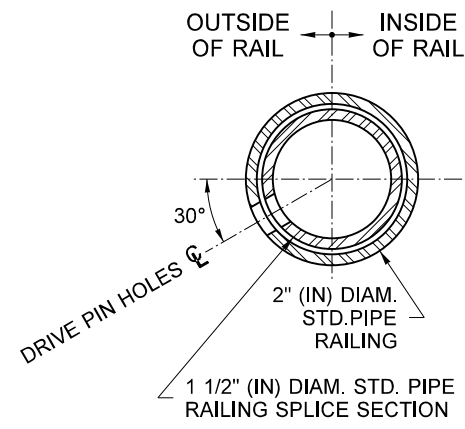
DETAIL "A"



DETAIL "B"



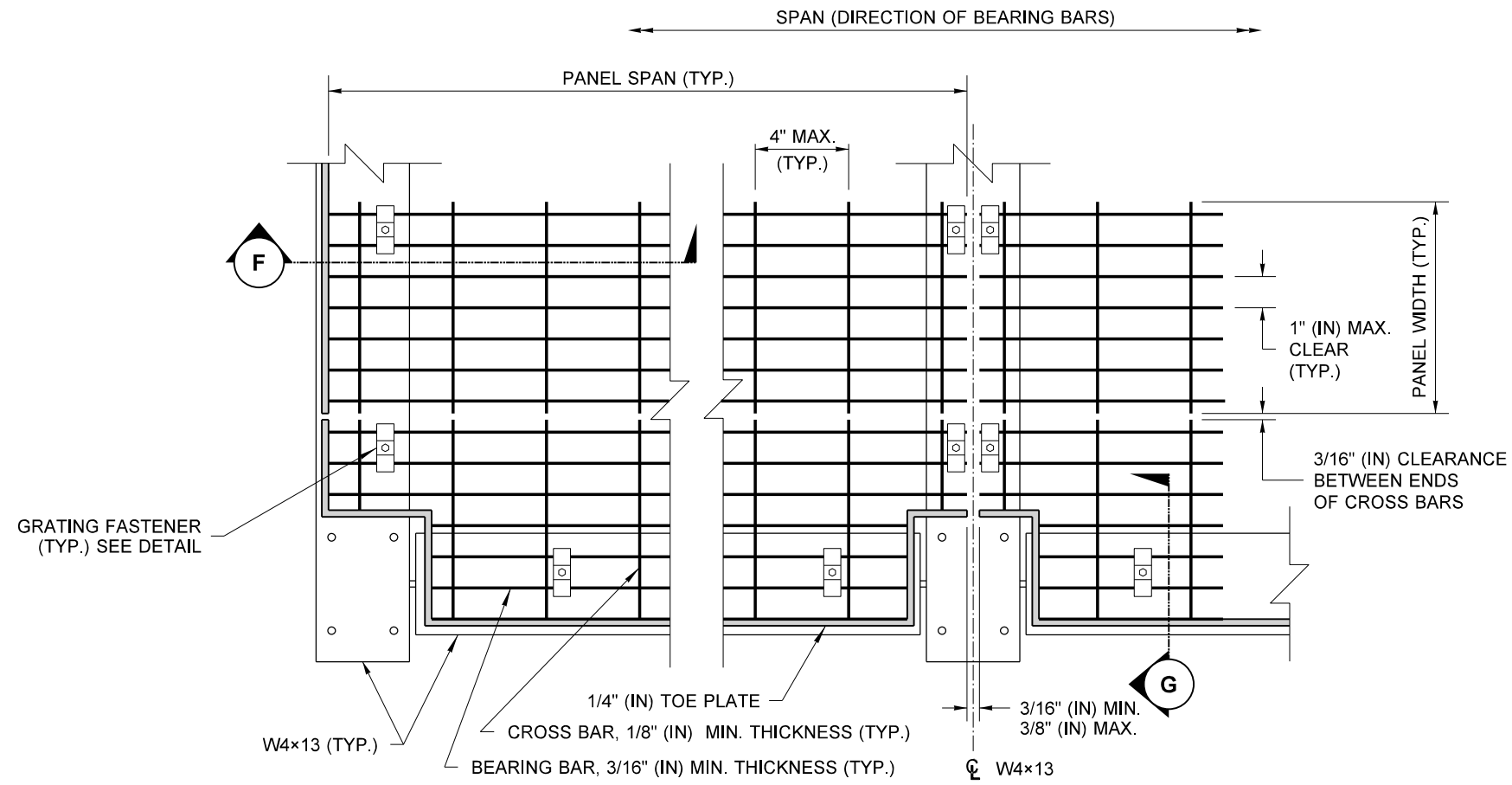
RAILING SPLICE DETAIL



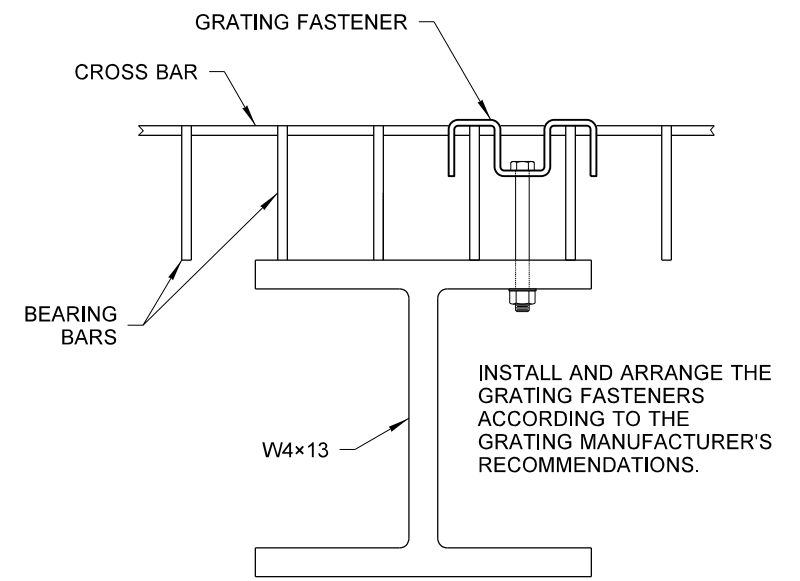
MAINTENANCE WALKWAY FOR SIGN BRIDGES
STANDARD PLAN G-95.10-02

SHEET 2 OF 3 SHEETS

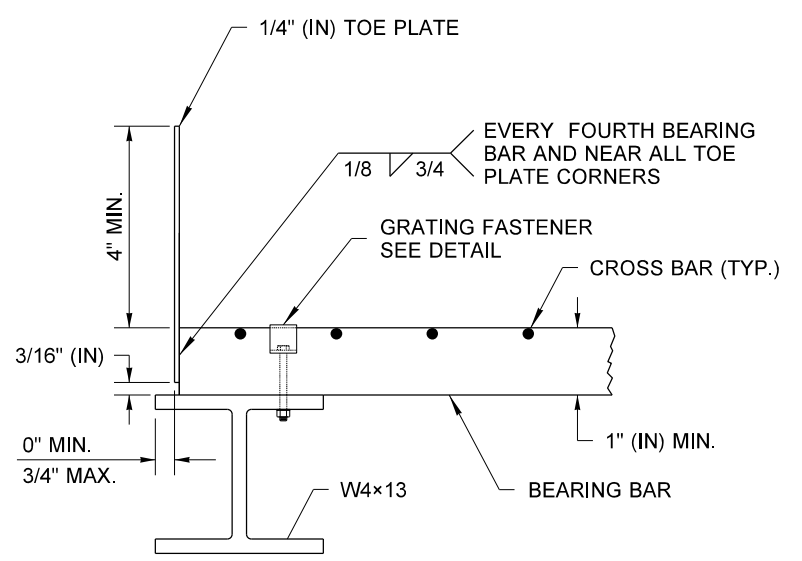
APPROVED FOR PUBLICATION



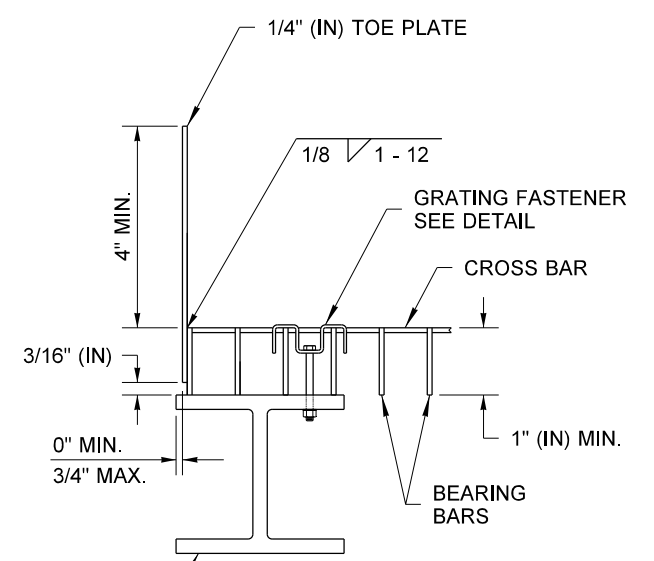
PLAN
STEEL GRATING DETAIL
(RAILING NOT SHOWN FOR CLARITY)



GRATING FASTENER DETAIL



SECTION F



SECTION G



**MAINTENANCE WALKWAY
FOR SIGN BRIDGES**
STANDARD PLAN G-95.10-02

SHEET 3 OF 3 SHEETS

APPROVED FOR PUBLICATION