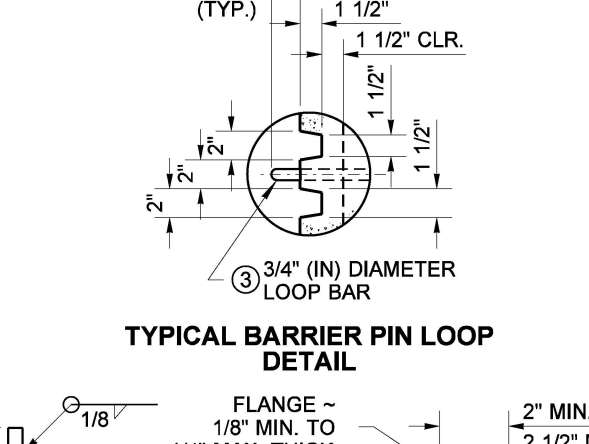
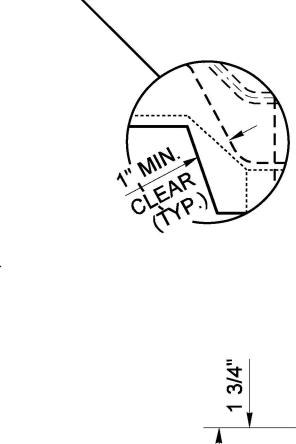
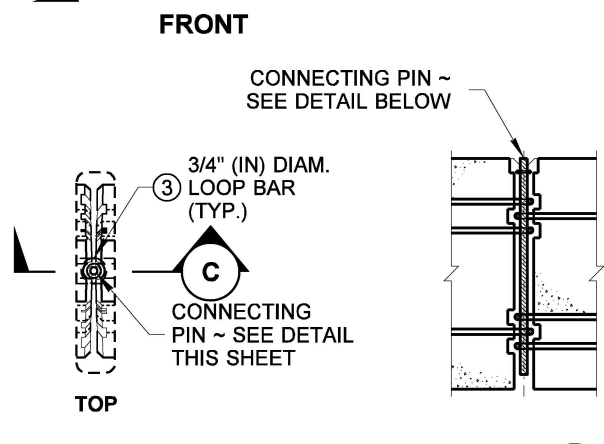
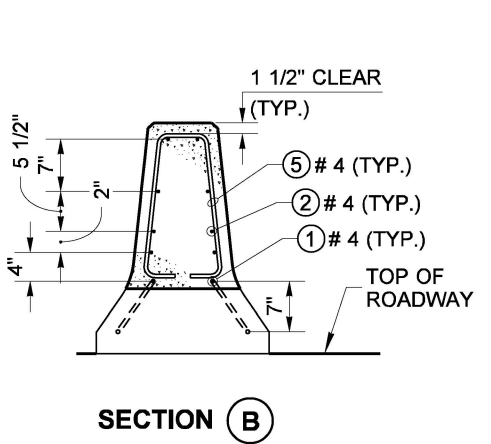
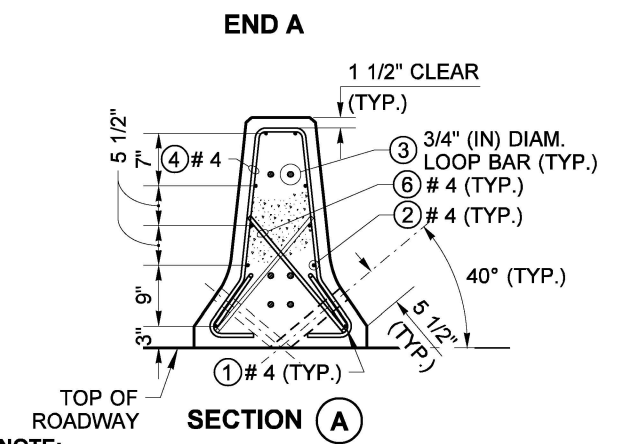
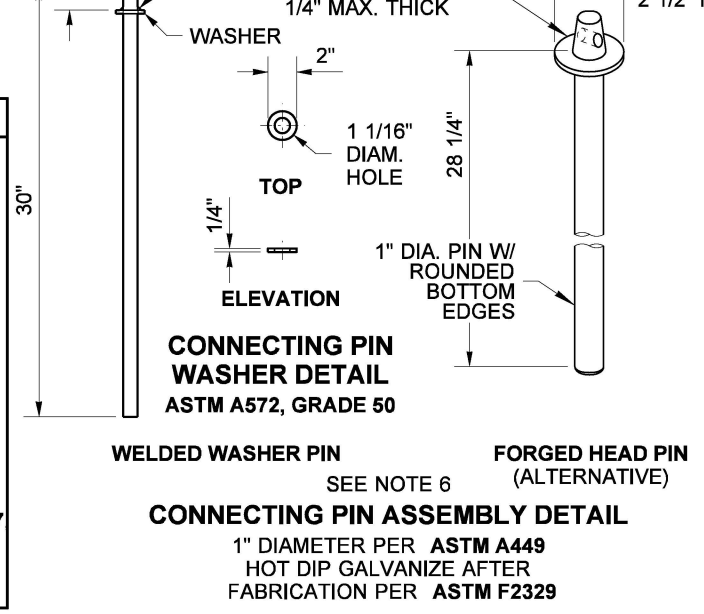
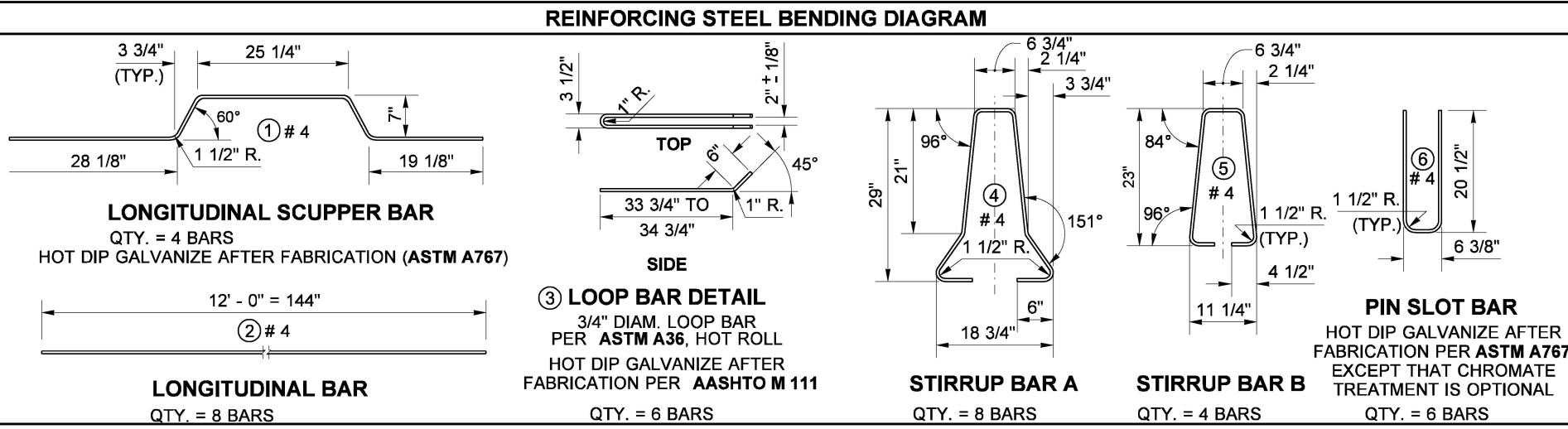


- NOTES**
- Concrete shall be Class 5000.
  - Remove slack between barrier segments after inserting connecting pin.
  - Precast Concrete Barrier Type F with Scuppers can be installed in the following configurations:  
 A) Unanchored on hot mix asphalt (HMA), or cement concrete pavement in permanent or temporary installations, and on compacted soil in temporary installations. It is permissible to manufacture the Type F scupper barrier without pin slots and pin slot bars when barrier is not anchored.  
 B) Anchored on hot mix asphalt (HMA) or cement concrete pavement in permanent or temporary installations as shown on **Std. Plan C-60.10**. See **Std. Plan C-60.10** for anchoring pin details.
  - See **Std. Plan C-60.70** for anchoring patterns when transitioning from Type F anchored run to another type of barrier run.
  - After removing the anchoring pins, clean the pin holes and fill them with sealant according to **Std. Spec. Section 9-04.2**.
  - Connecting Pin head designs vary among different manufacturers. Pin designs that are shaped differently than those shown in the detail are acceptable, if the bearing surface is within the minimum and maximum widths specified.



**NOTE:**  
 STEEL WELDED WIRE REINFORCEMENT DEFORMED FOR CONCRETE MAY BE SUBSTITUTED FOR REINFORCING STEEL IN ACCORDANCE WITH **STANDARD SPECIFICATION, SECTION 6-10.3**



Aug 17, 2021

**CONCRETE BARRIER TYPE F WITH SCUPPERS (PRECAST)**  
**STANDARD PLAN C-60.15-00**

SHEET 1 OF 1 SHEET

APPROVED FOR PUBLICATION  
 [Signature] Aug 17, 2021  
 STATE DESIGN ENGINEER  
 Washington State Department of Transportation