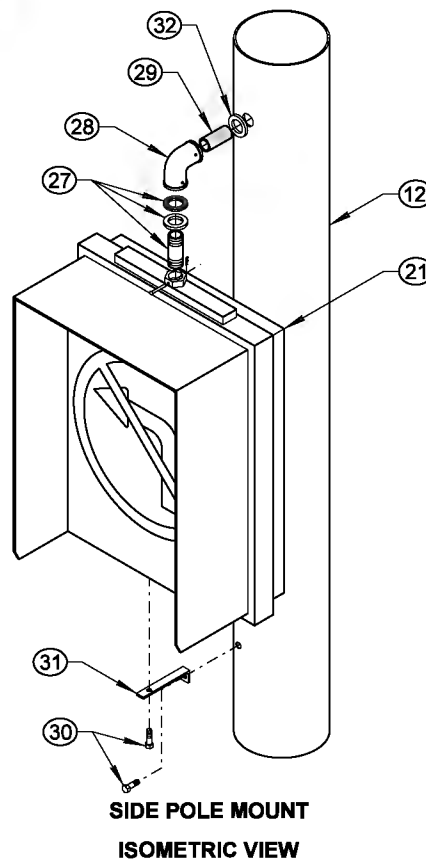
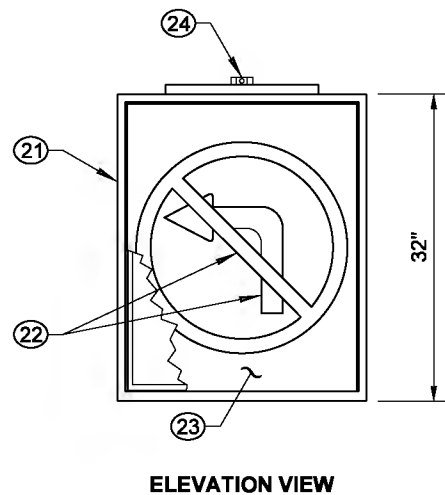
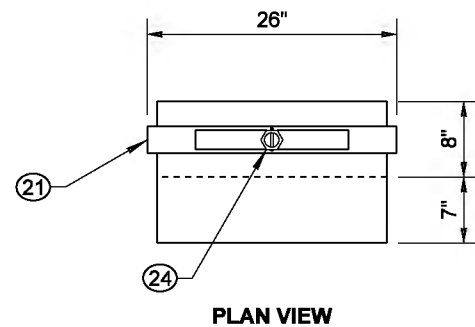
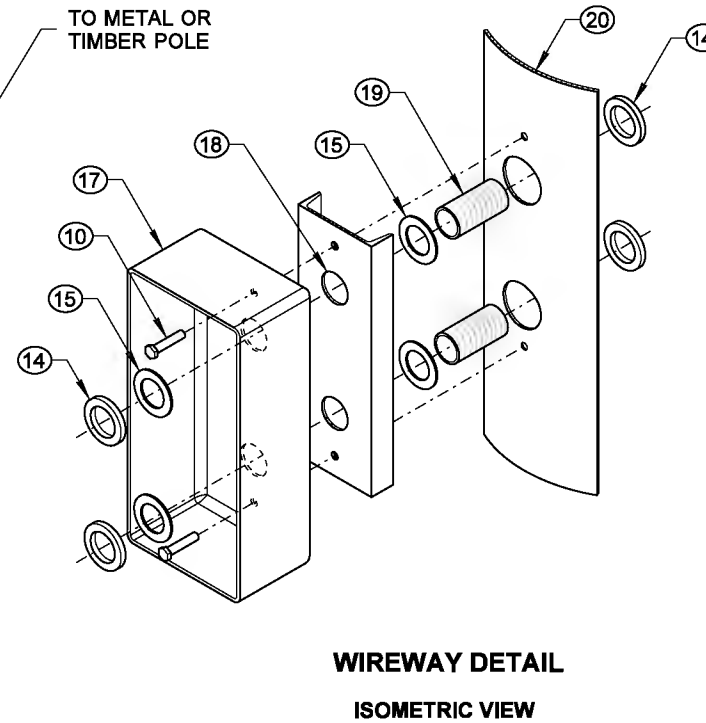
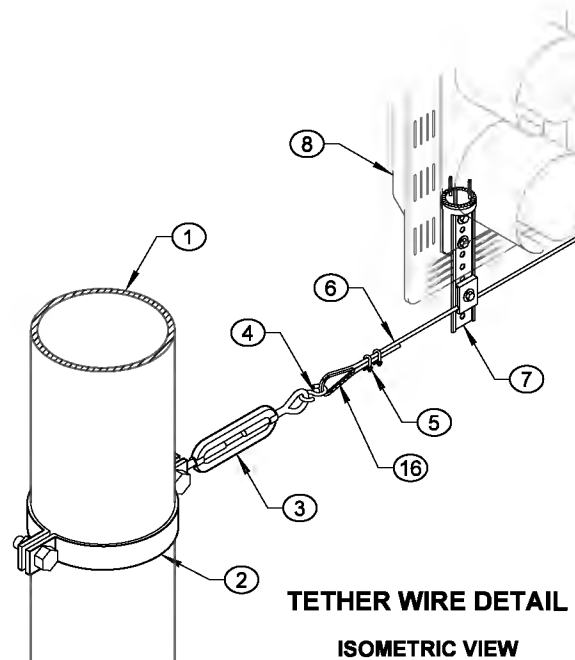
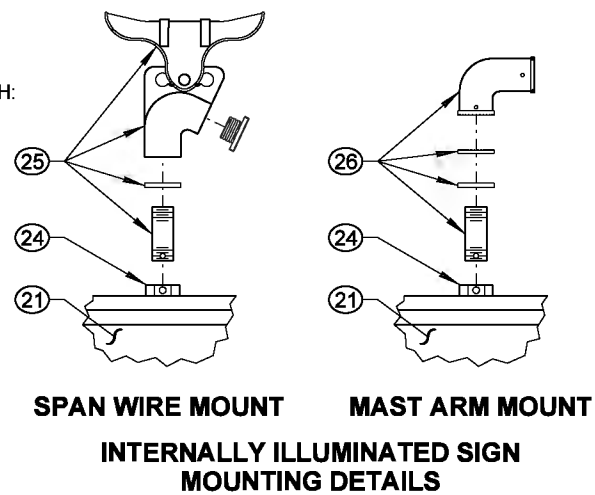


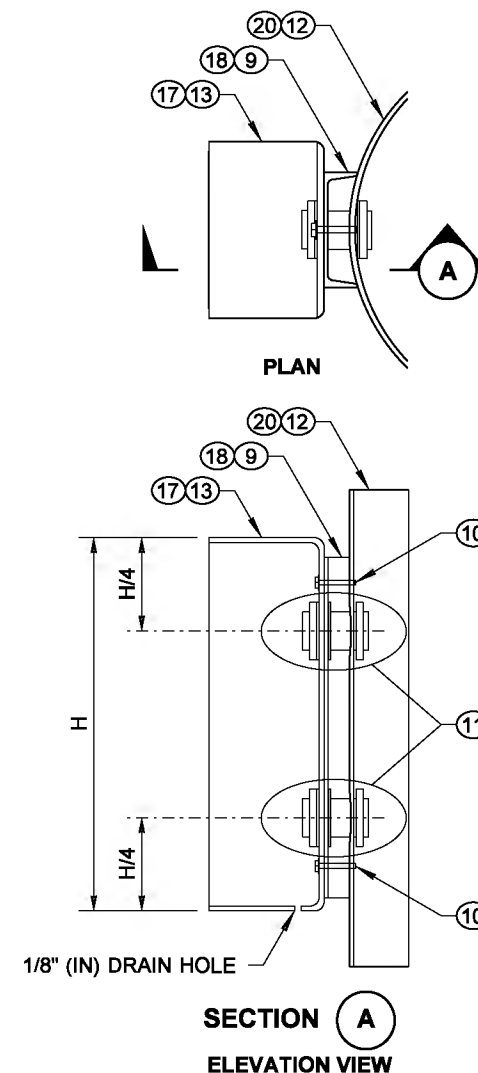
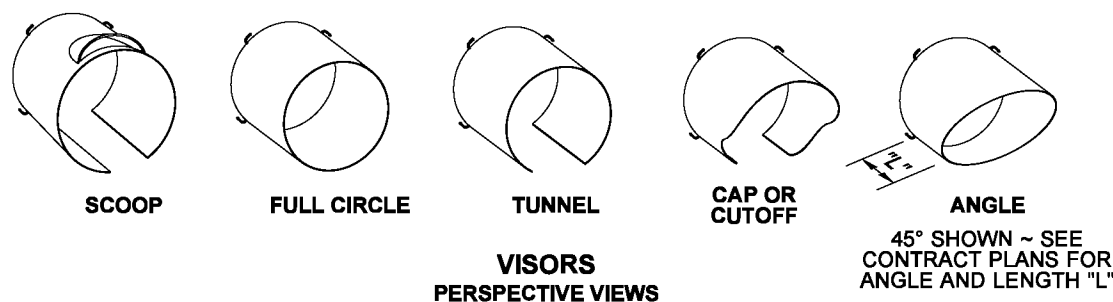
KEY

- ① METAL OR TIMBER POLE
- ② 2" (IN) x 3/16" (IN) S.S. TETHER WIRE BAND WITH TWO EACH:
 - 3/8" (IN) - 16 NC x 3/4" (IN) S.S. HEX HEAD BOLT
 - LOCK WASHERS AND NUTS
- ③ 5/16" (IN) EYE AND EYE TURNBUCKLE
- ④ 3/8" (IN) MILD STEEL S-HOOK
- ⑤ 1/8" (IN) S.S. WIRE ROPE CLAMP (U-BOLT TYPE)
- ⑥ 1/8" (IN) S.S. TETHER WIRE
- ⑦ 1 1/2" (IN) BREAKAWAY TETHER ASSEMBLY WITH OPTIONAL EXTENDER BAR
- ⑧ SIGNAL HEAD
- ⑨ 6 x 8.2 LB/FT CHANNEL
- ⑩ TWO EACH:
 - 1/2" (IN) - 13 NC x 2 1/2" (IN) S.S. HEX HEAD BOLT
 - LOCK WASHERS (DRILL AND TAP POLE TO ACCEPT)
- ⑪ WIREWAY (SEE DETAIL THIS SHEET)
- ⑫ METAL POLE
- ⑬ CABINET
- ⑭ END BUSHING
- ⑮ SEALING LOCKNUT
- ⑯ WIRE ROPE THIMBLE
- ⑰ CABINET WALL DRILLED 1/8" (IN) OVERSIZE OF NIPPLE
- ⑱ CHANNEL DRILLED 1/8" (IN) OVERSIZE OF NIPPLE
- ⑲ 2" (IN) DIAM. x 4" (IN) NIPPLE (UNLESS OTHERWISE NOTED)
- ⑳ POLE WALL DRILLED SO BUSHING WILL PASS THROUGH ~ HOLE SIZE TO BE A MAXIMUM OF 1/8" (IN) LARGER DIAMETER THAN THE CONDUIT NIPPLE END BUSHING ~ INSTALL NIPPLE IN POLE WITH BUSHING INSTALLED
- ㉑ 6063 EXTRUDED ALUMINUM FRAME BLANK OUT SIGN WITH VISOR
- ㉒ LIGHT EMITTING DIODE (LED) BLANK OUT SIGN
- ㉓ TRANSLUCENT PLEXIGLASS SIGN FACE ~ SEE CONTRACT FOR LEGEND
- ㉔ 1 1/2" (IN) CAST IRON HUB WITH 5/16" (IN) PIN AND COTTER KEY
- ㉕ SPAN WIRE MOUNT ASSEMBLY WITH:
 - 1 1/2" (IN) DIAM. CONDUIT LOCKNUT
 - 1 1/2" (IN) DIAM. CONDUIT NIPPLE
 - BRONZE MESSENGER HANGER WITH:
 - ~ 1/2" (IN) DIAM. J-BOLTS
 - ~ CABLE LOCK BAR
 - ~ RIVET
 - ~ COTTER KEY
 - BRONZE INTERNALLY THREADED WIRE ENTRANCE WITH:
 - ~ BUSHING INSERT
 - ~ ALLEN HEAD S.S. SET SCREW
- ㉖ ARM MOUNT ASSEMBLY WITH:
 - 1 1/2" (IN) DIAM. CONDUIT LOCKNUT
 - BRONZE SERRATED ELL FITTING WITH:
 - ~ 3/8" (IN) S.S. THROUGH BOLT AND NUTS
 - ~ THREE S.S. SET SCREWS AT SLIPFITTER CONNECTION
 - ~ THREE ALLEN HEAD S.S. SET SCREWS AT CONDUIT NIPPLE CONNECTION
 - 1 1/2" (IN) DIAM. CONDUIT NIPPLE
 - SERRATED RING WITH NO PINS
- ㉗ SIDE POLE MOUNT ASSEMBLY WITH:
 - 1 1/2" (IN) DIAM. CONDUIT LOCKNUT
 - 1 1/2" (IN) DIAM. CONDUIT NIPPLE
 - SERRATED RING WITH NO PINS
- ㉘ 1 1/2" (IN) SERRATED ELBOW
- ㉙ 1 1/2" (IN) DIAM. NIPPLE (DRILL AND TAP POLE TO ACCEPT)
- ㉚ TWO EACH:
 - 1/2" (IN) - 20 NF x 3/4" (IN) S.S. HEX HEAD BOLT
 - LOCK WASHERS (DRILL AND TAP POLE TO ACCEPT)
- ㉛ MOUNTING BRACKET
- ㉜ LOCKNUT

LEGEND:
S.S. = STAINLESS STEEL
 DRAWN BY: COLBY FLETCHER



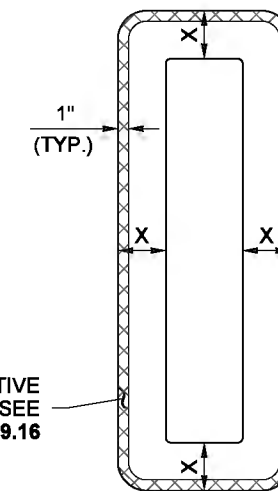
INTERNALLY ILLUMINATED SIGN MOUNTING DETAILS



CABINET MOUNTING DETAILS

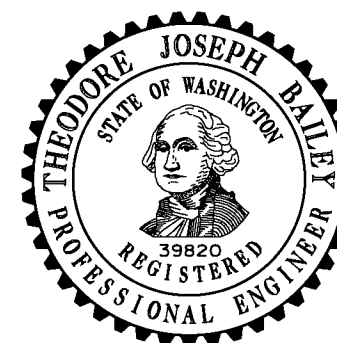
NOTES

1. Backplates shall be installed with stainless steel screws and stainless steel washers.
2. Silicone top of channel and around nipples at openings into pole.
3. Breakaway tether extender bar shall extend one hole and one flat past tether wire.



BACKPLATE DETAIL
8" (IN) OR 12" (IN) SECTIONS

8" (IN) SECTION X = 5 1/2" (IN) ± 1/2" (IN)
 12" (IN) SECTION X = 5 1/2" (IN) ± 1/2" (IN)



MISCELLANEOUS SIGNAL DETAILS

STANDARD PLAN J-75.30-02

SHEET 1 OF 1 SHEET

APPROVED FOR PUBLICATION

STATE DESIGN ENGINEER
 Washington State Department of Transportation