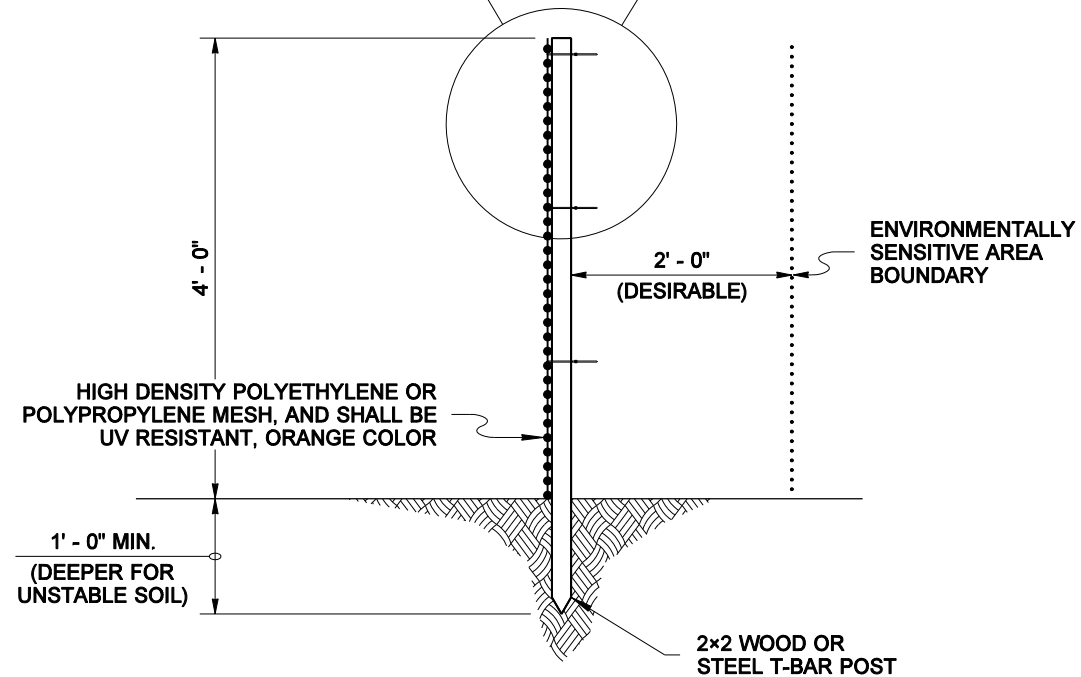
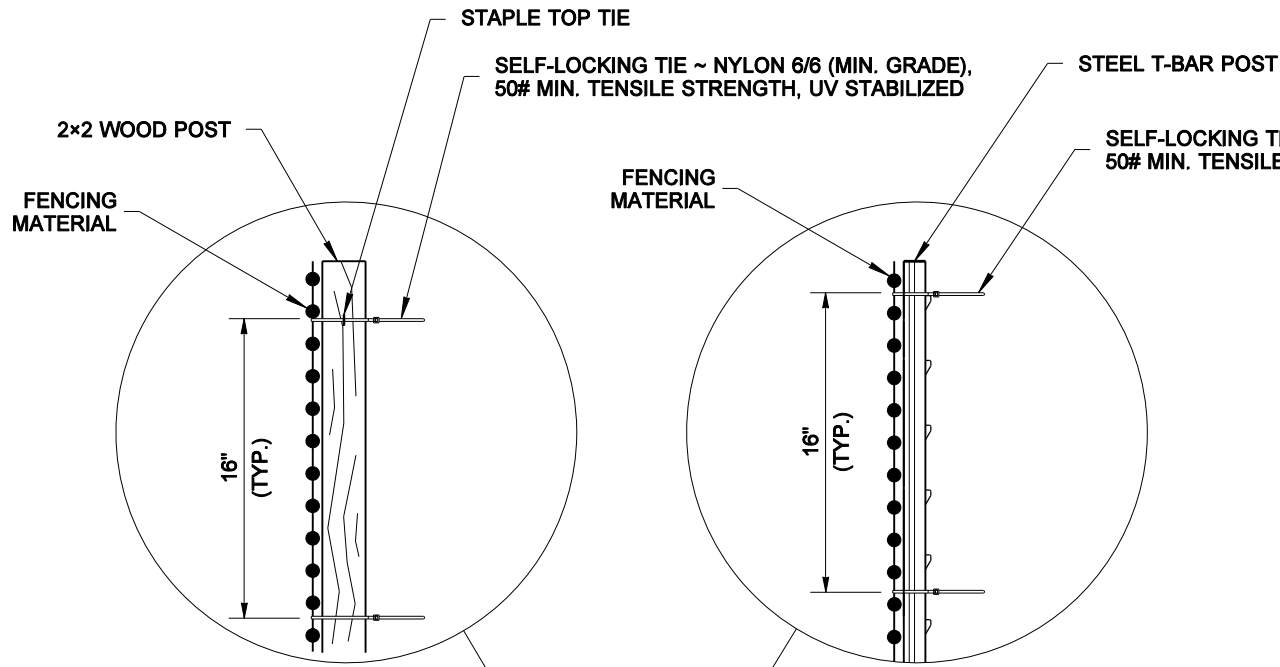
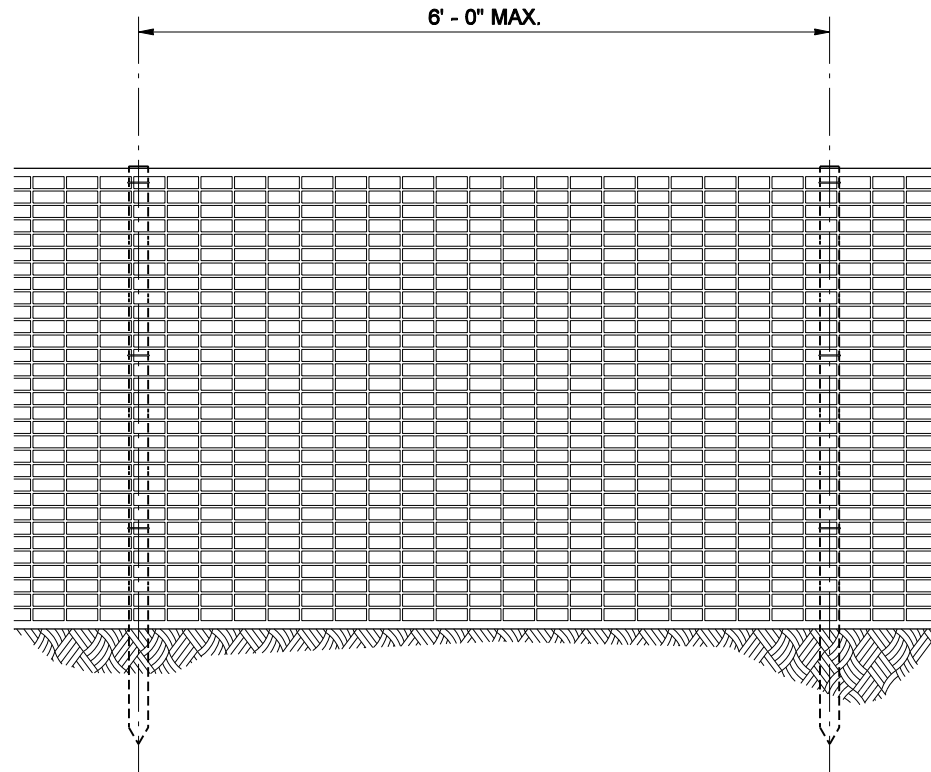


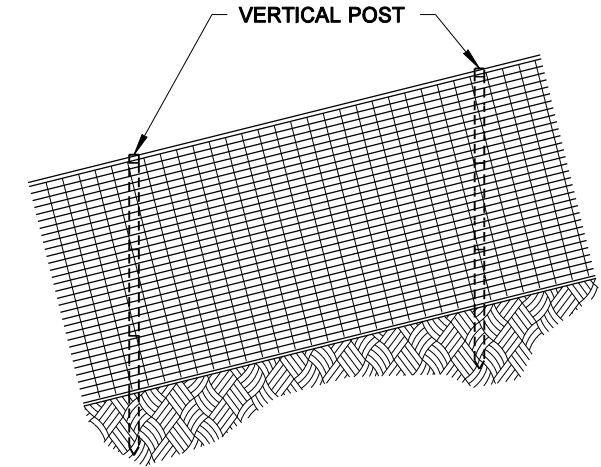
DRAWN BY: BILL BERENS



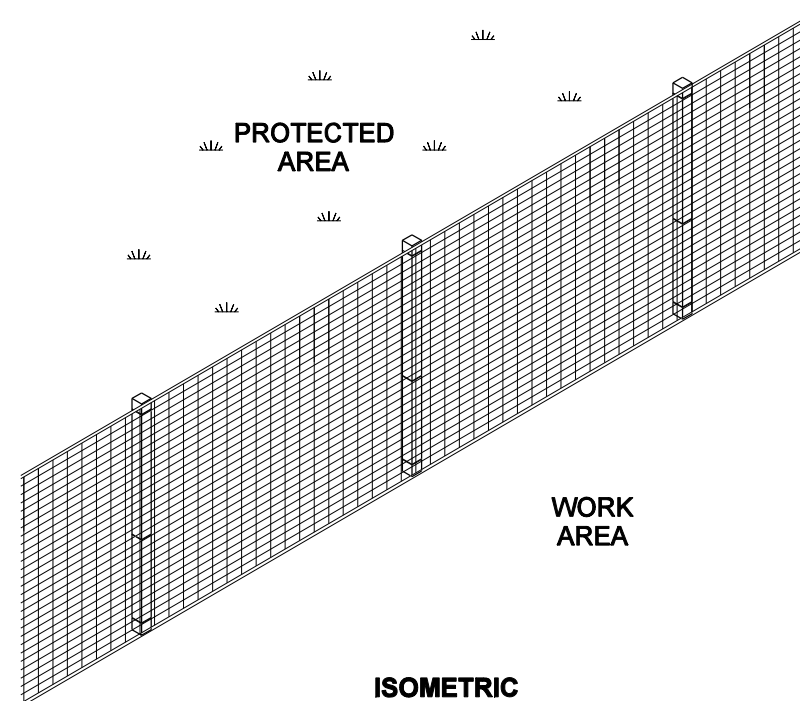
TYPICAL SECTION



ELEVATION



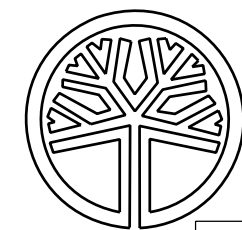
ELEVATION
FENCE ON SLOPE



ISOMETRIC

NOTE

1. Post shall have sufficient strength and durability to support the fence through the life of the project.



STATE OF WASHINGTON
REGISTERED
LANDSCAPE ARCHITECT

MARK W. MAURER
CERTIFICATE NO. 000598

NOTE: THIS PLAN IS NOT A LEGAL ENGINEERING DOCUMENT BUT AN ELECTRONIC DUPLICATE. THE ORIGINAL, SIGNED BY THE ENGINEER AND APPROVED FOR PUBLICATION, IS KEPT ON FILE AT THE WASHINGTON STATE DEPARTMENT OF TRANSPORTATION. A COPY MAY BE OBTAINED UPON REQUEST.

HIGH VISIBILITY FENCE

STANDARD PLAN I-10.10-01

SHEET 1 OF 1 SHEET

APPROVED FOR PUBLICATION

Pasco Bakotich III 08-11-09

STATE DESIGN ENGINEER

DATE



Washington State Department of Transportation