

Pipe Materials



Classifications of Pipe

- **Drain Pipe**
- **Underdrain Pipe**
- **Culvert Pipe**
- **Storm Sewer Pipe**
- **Sanitary Sewer Pipe**

Culvert Pipe



Circular and Schedule Culvert Pipe



Box Culverts



Pipe Arch Culverts



Storm Sewer Pipe



Pipe Materials

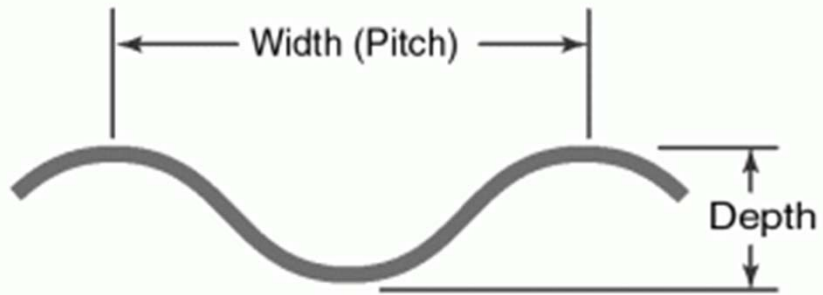
- **Concrete**
- **Metal**
- **Plastic**

Concrete



Metal

Corrugation Dimensions

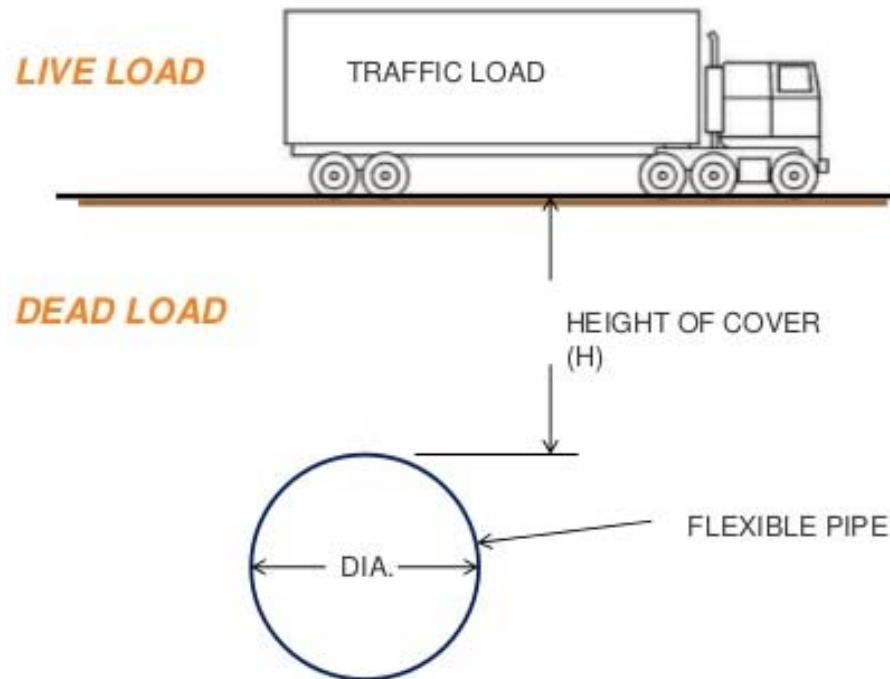


Plastic



Pipe Cover

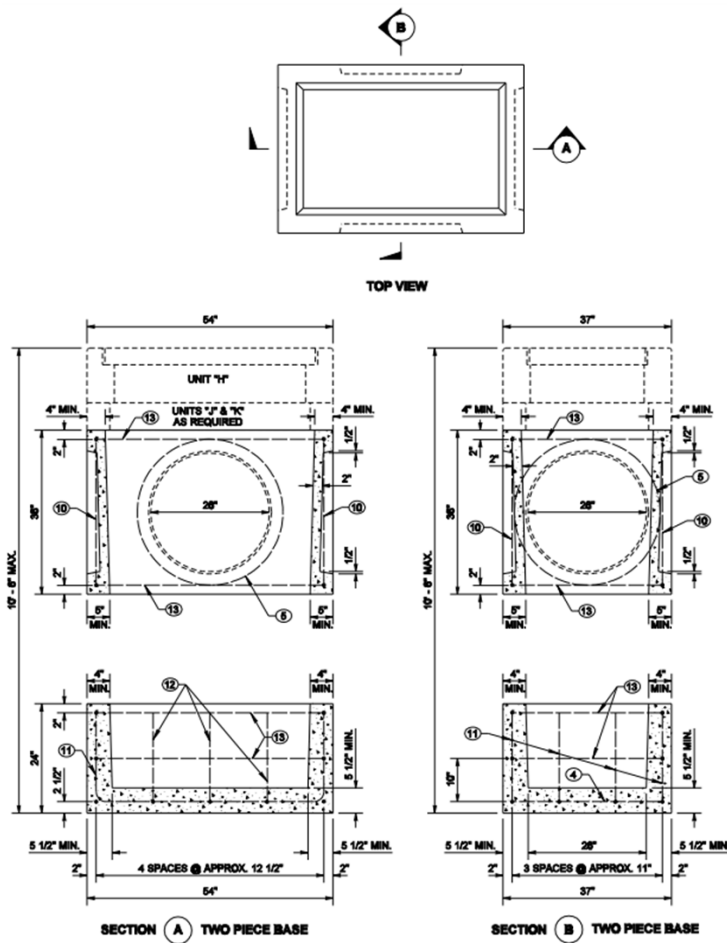
TYPICAL LOADING CONDITIONS



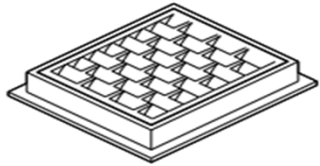
Pipe Corrosion



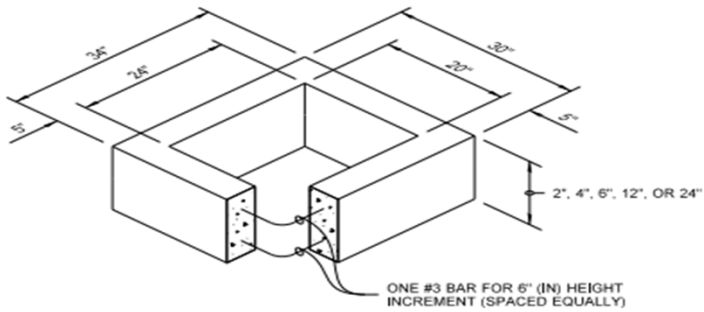
Grate Inlets



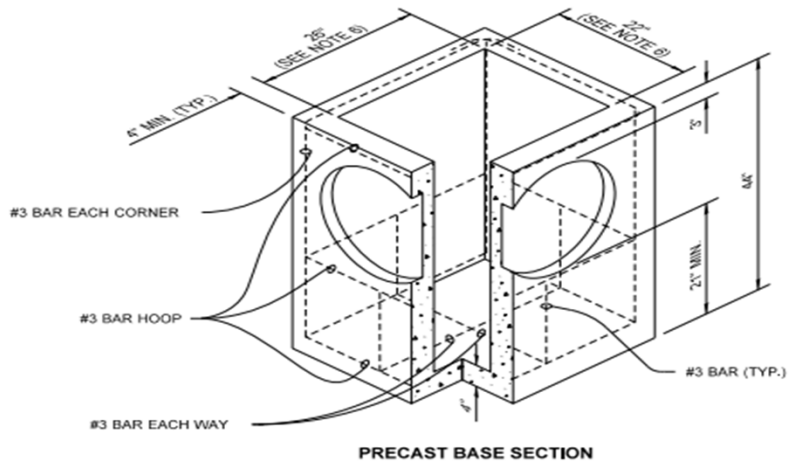
Catch Basins



FRAME AND VANED GRATE



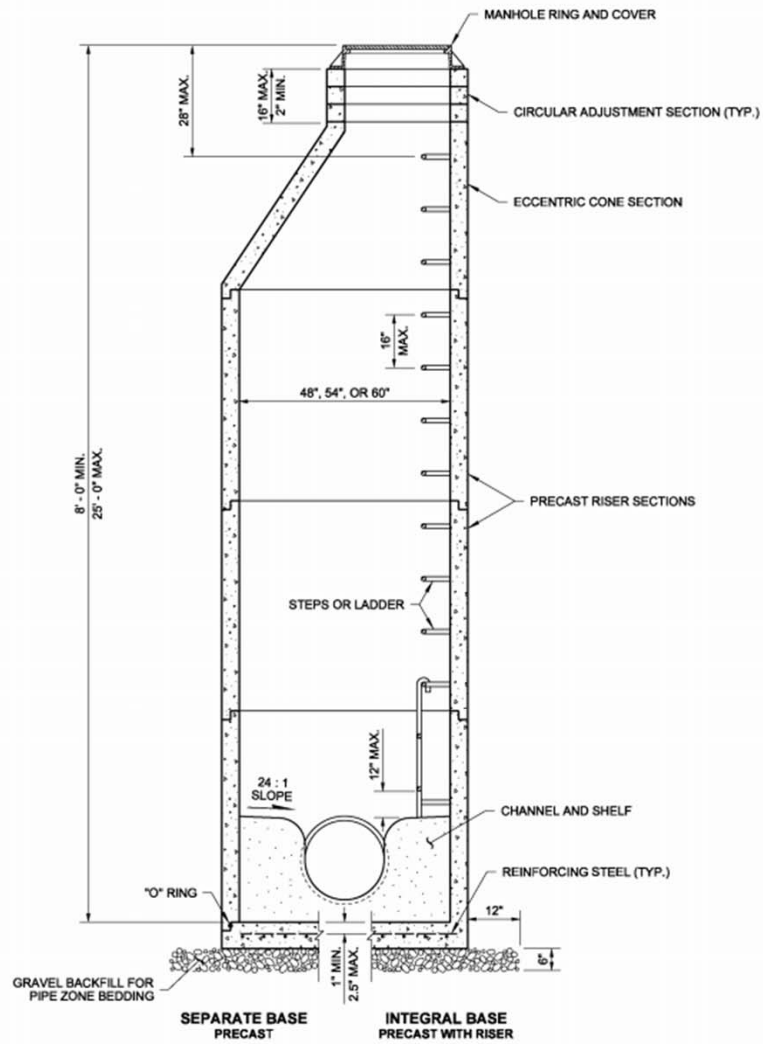
RECTANGULAR ADJUSTMENT SECTION



PRECAST BASE SECTION



Manholes



Qualified Product List

Qualified Products List

Search by Manufacturer OR Standard Specs

Compiled: May 08, 2017

The Search page allows you to enter criteria and view selected Qualified Products information. After entering the desired criteria and clicking the [Search] button, Qualified Products are presented.

Entering a letter or number in the boxes below will take you to that position in either list.

Manufacturer

Standard Specs

Search

Clear List

HMA Paving Contractor

QPL Mix Design Search

[View Introduction](#)

[View Reference Guide](#)

[View Instructions](#)

[View Appendix A - Acceptance codes](#)

[View Appendix B - General Notes, Lumber Grading & Epoxy Information](#)

[View Appendix C - Wire & Cable Identification Guide](#)

[View Appendix D - Geosynthetic Retaining Walls](#)

To view this document you need Adobe Acrobat Reader. If you do not have Adobe Acrobat Reader please [click here](#) to download.