

FILE NAME	S:\Design R P& S\4-Standards\2-Plan Sheet Library\01-Published PSL\TB) Traffic Barrier\TB-25\PS_TB-25_e.dgn				FED.AID PROJ.NO.	
TIME	8:24:58 AM				REGION NO.	STATE
DATE	6/22/2016				WASH	
PLOTTED BY	liddelf				JOB NUMBER	
DESIGNED BY					CONTRACT NO.	LOCATION NO.
ENTERED BY						
CHECKED BY						
PROJ. ENGR.						
REGIONAL ADM.	REVISION	DATE	BY			

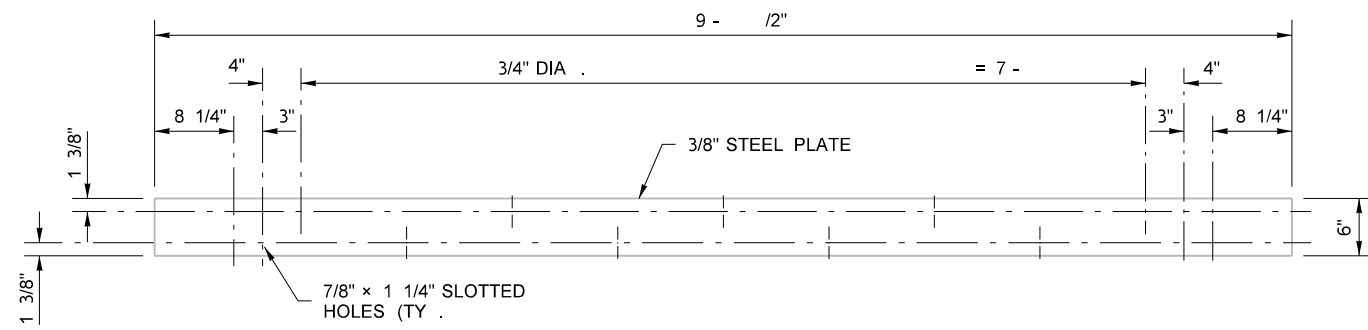
DATE
P.E. STAMP BOX

DATE
P.E. STAMP BOX

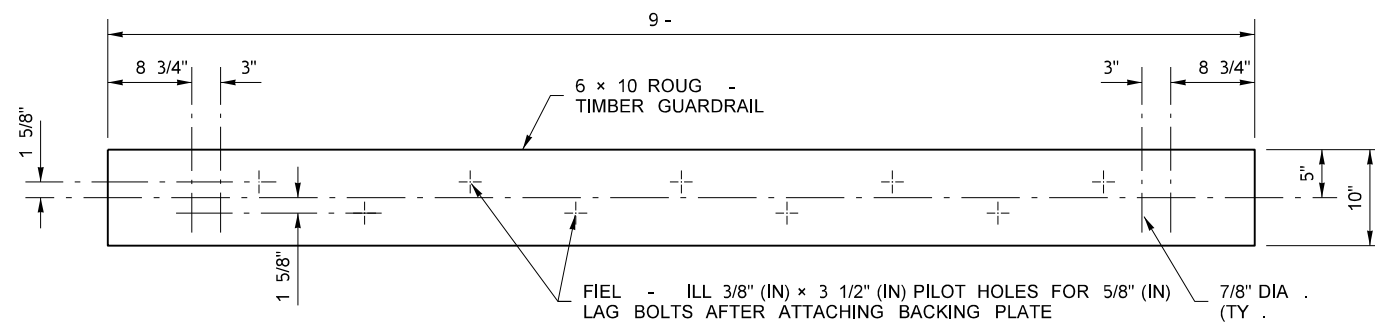


STEEL BACKED TIMBER GUARDRAIL

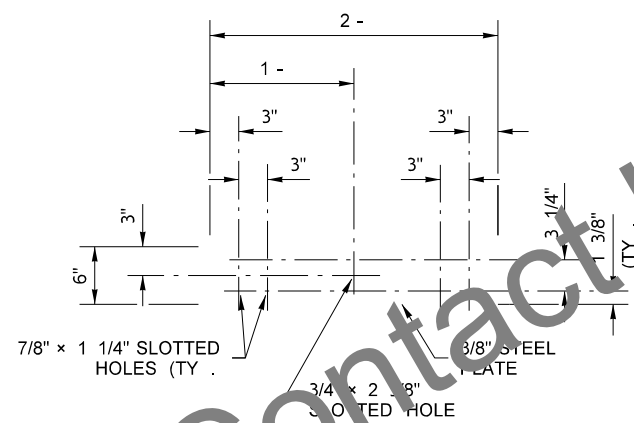
Plot 1
PLAN REF NO
TB-25
SHEET
1
OF
2
SHEETS



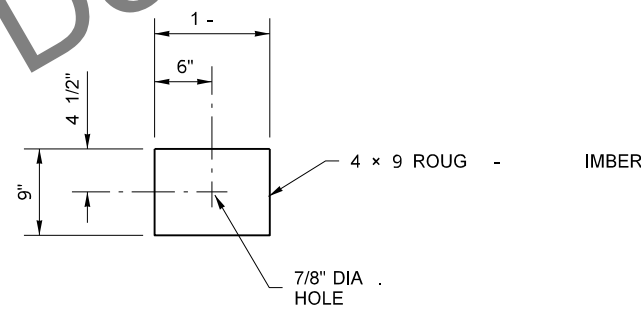
STEEL BACKING PLATE



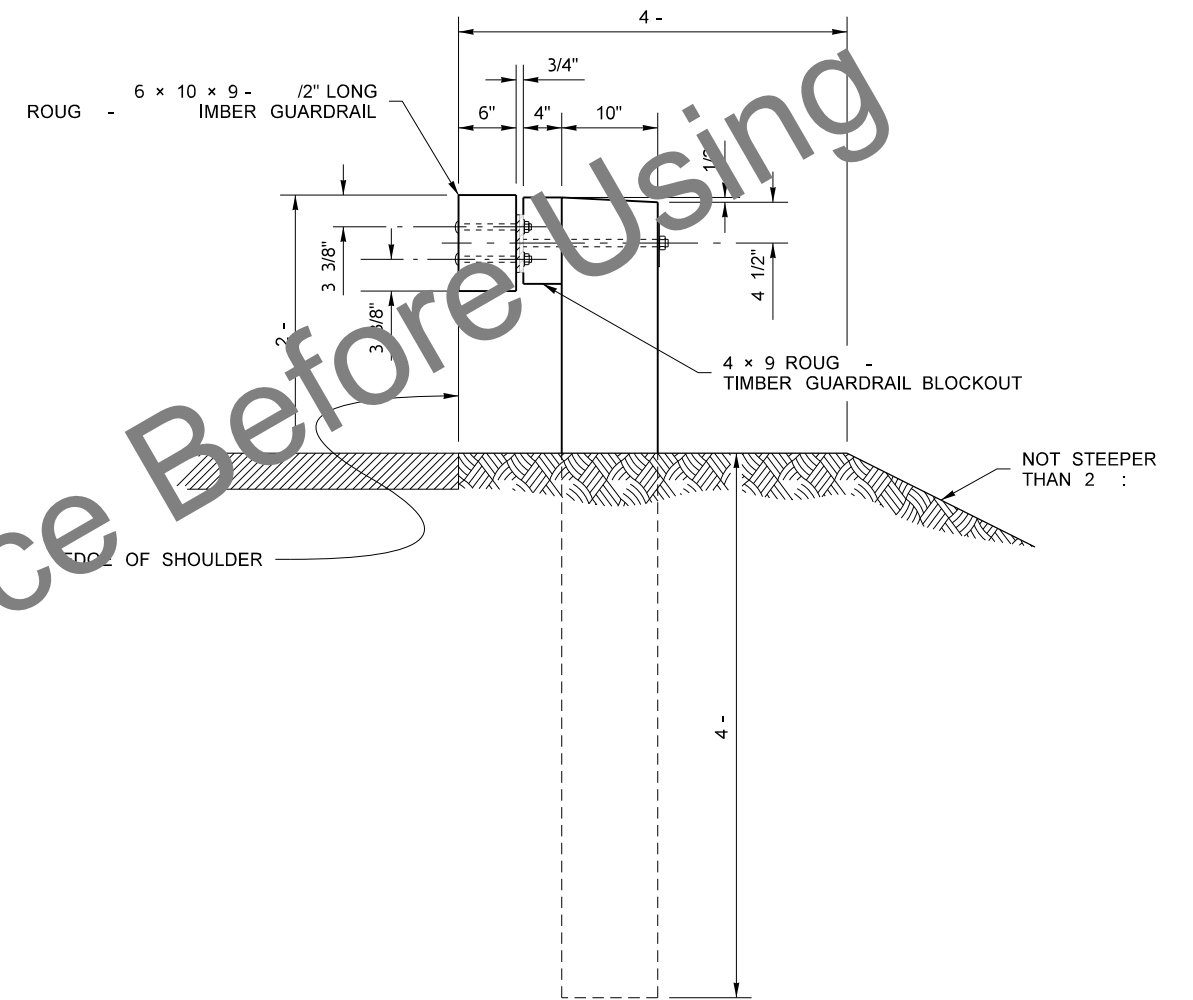
TIMBER GUARDRAIL



STEEL SPLICE PLATE



TIMBER GUARDRAIL BLOCKOUT



SECTION A

FILE NAME	De I	lan Sheet I	II	(TB) Traf	IPS_T	REGION N.	STATE	FE . ID PRO	Plot 2
TIME							WASH		PLAN REF NO
DATE	7/5/2016								TB-25
PLOTTED BY	II If								SHEET
DESIGNED BY									2
ENTERED BY									OF
CHECKED BY									2
PRO									SHEETS
REGIONAL AD		REVISION	DATE	BY					STEEL BACKED TIMBER GUARDRAIL