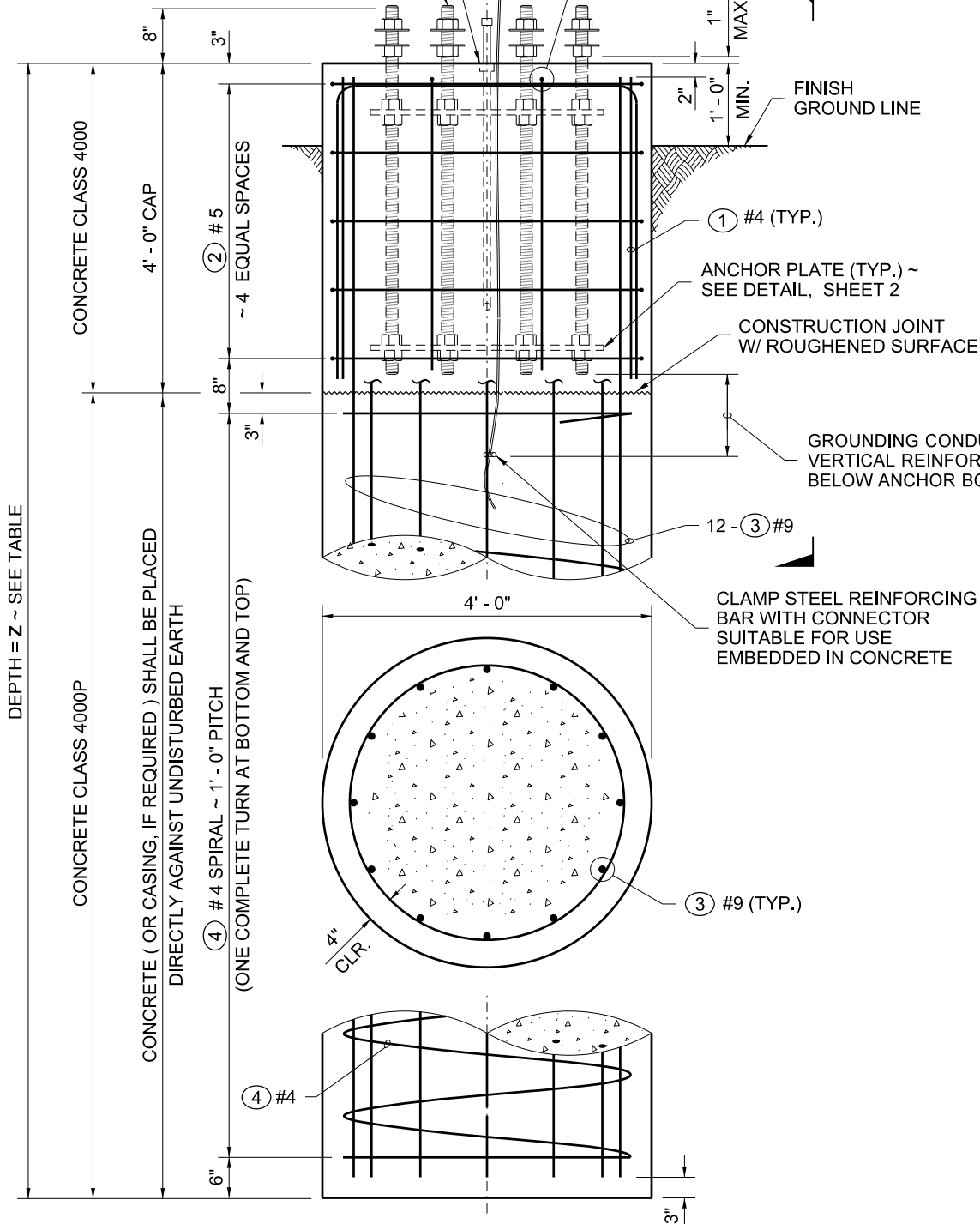


VIEW A

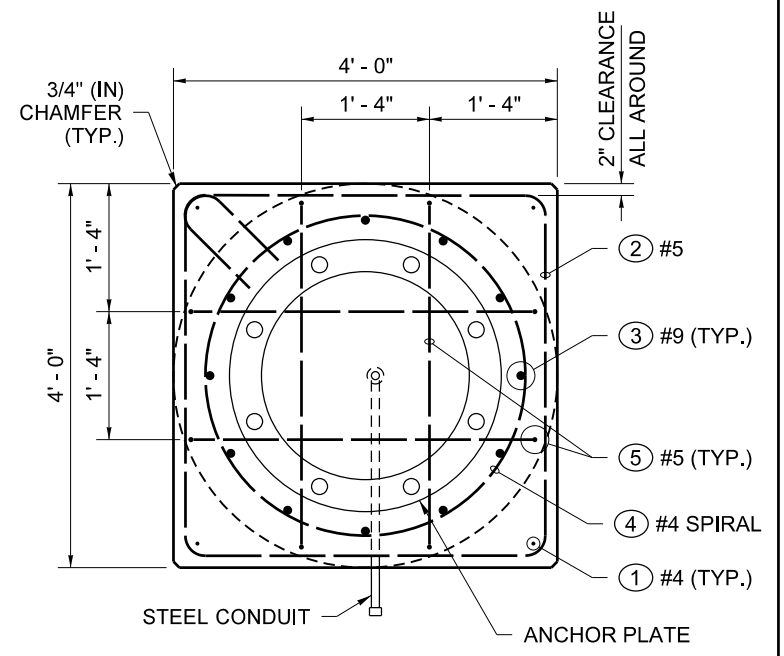
CONDUIT COUPLING ~ INSTALL FLUSH WITH TOP OF FOUNDATION (DO NOT GLUE PVC STUBOUT)

ANCHOR ROD ~ 1 3/4" (IN) DIAM. x 4' - 4" LONG, THREADED 8" (IN) MIN. EACH END; W/ (2) WASHERS & (6) HEAVY HEX NUTS ~ GALVANIZE EXPOSED ANCHOR ROD END FOR 1' - 0" MIN.

GROUNDING CONDUCTOR SHALL BE NON-INSULATED #4 AWG STRANDED COPPER ~ PROVIDE 3' - 0" SLACK (ROUTE TO GROUNDING STUD)



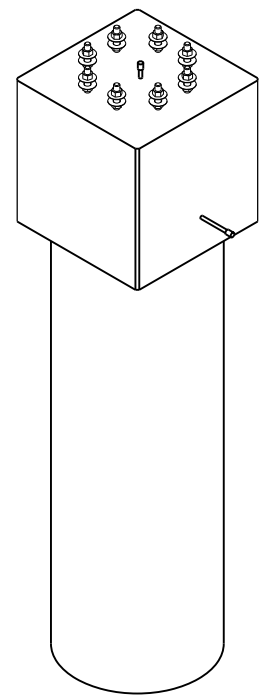
SIDE VIEW



TOP VIEW

NOTES

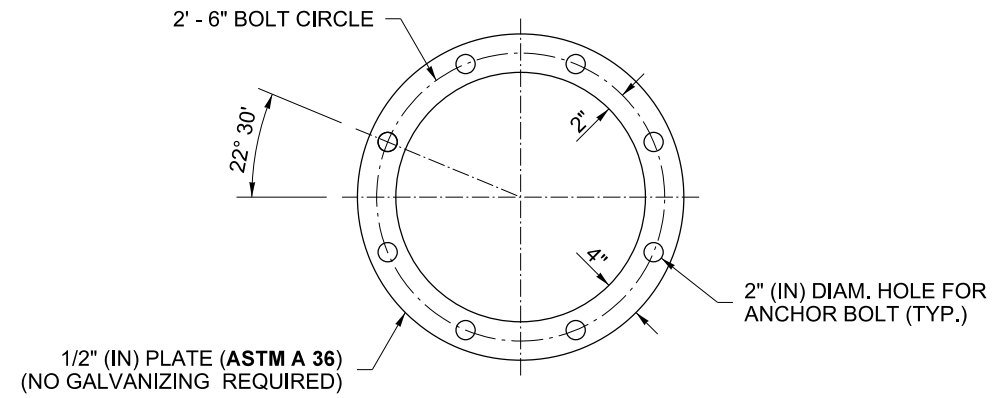
1. See **Standard Specification, Section 8-21.3(9)** for construction requirements.
2. Use a template to locate and secure bolts in place during foundation installation.



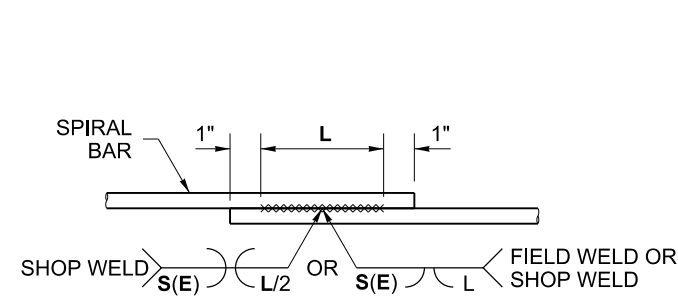
ISOMETRIC VIEW

VALUES OF Z			
FOUNDATION TYPE	TOTAL SIGN AREA		ALLOWABLE LATERAL BEARING PRESSURE (PSF)
	200 SF OR LESS	200 SF ~ 400 SF	
	Z	Z	
1	13' - 0"	18' - 0"	1500 AND UP
	16' - 0"	22' - 0"	1000 ~ 1499

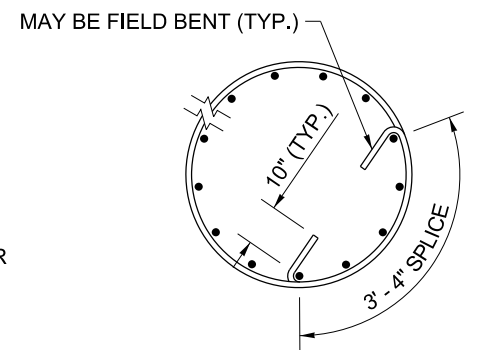
FILE NAME	S:\Design R P& S\4-Standards\2-Plan Sheet Library\02-PSL Work in Progress\Fern\SD-II) Cantilever sign Structure (TrussType) Foundation Type I\SD-II.dgn	REGION NO.	STATE	FED. AID PROJ. NO.	<p>Washington State Department of Transportation</p>	<p>CANTILEVER SIGN STRUCTURE (TRUSS TYPE) FOUNDATION TYPE 1</p>	SD-11
TIME	11:20:56 AM	10	WASH				
DATE	7/25/2019	JOB NUMBER					<p>SHEET 1 OF 2 SHEETS</p>
PLOTTED BY	liddelf	CONTRACT NO.		LOCATION NO.			
DESIGNED BY							
ENTERED BY							
CHECKED BY							
PROJ. ENGR.							
REGIONAL ADM.		REVISION	DATE	BY			



ANCHOR PLATE DETAIL



SEE TABLE FOR WELD DIMENSIONS
SPIRAL WELDED LAP SPLICE DETAIL



SPIRAL LAP SPLICE DETAIL

WELDING SHALL MEET THE REQUIREMENTS OF STANDARD SPEC. SECT. 6-02.3(24)E
FOR WELD DIMENSIONS ~ SEE TABLE BELOW

MATERIAL SPECIFICATIONS	
SHAFT CONCRETE	CLASS 4000P
ALL OTHER CONCRETE	CLASS 4000
STEEL REINF. BAR	AASHTO M 31 GRADE 60
ANCHOR RODS	ASTM F 1554 GRADE 105
ANCHOR NUTS	ASTM A 563 GRADE DH
ANCHOR WASHERS	ASTM F436
ANCHORAGE GALVANIZING	AASHTO M 232
ANCHOR PLATE	ASTM A 36

BAR LIST					
MARK	LOCATION	QTY.	LENGTH	SIZE	TYPE
①	CAP VERTICAL	4	3' - 10"	#4	STR.
②	CAP HOOPS	5	15' - 9"	#5	
③	SHAFT VERTICAL	12	"Z" MINUS CLEARANCES	#9	STR.
④	SHAFT SPIRAL	1	AS REQUIRED	#4	
⑤	CAP TOP	4	10' - 10"	#5	

BENDING DIAGRAM
(ALL DIMENSIONS ARE OUT TO OUT)

COLUMN AND SHAFT SPIRAL OPTIONS						
DEFORMED BAR AASHTO M 31 GRADE 60	PLAIN STEEL BAR AASHTO M 31 GRADE 60	COLD DRAWN WIRE AASHTO M 32	DEFORMED WIRE AASHTO M 225	WELD DIMENSIONS (INCHES)		
				S	E	L
# 4	1/2" DIAM.	W20	D20	1/4	1/8	4
# 5	5/8" DIAM.	W31	D31	5/16	3/16	6
# 6	3/4" DIAM.	W44	D44	3/8	3/16	6

FILE NAME	S:\Design R P& S\4-Standards\2-Plan Sheet Library\02-PSL Work in Progress\Fern\SD-II) Cantilever sign Structure (TrussType) Foundation Type I\SD-II.dgn	REGION NO.	STATE	FED. AID PROJ. NO.	DATE	P.E. STAMP BOX	DATE	P.E. STAMP BOX	<p>Washington State Department of Transportation</p>	<p>CANTILEVER SIGN STRUCTURE (TRUSS TYPE) FOUNDATION TYPE 1</p>	SD-11
TIME	11:23:30 AM	10	WASH								SHEET 2 OF 2 SHEETS
DATE	7/25/2019										
PLOTTED BY	liddelf										
DESIGNED BY											
ENTERED BY											
CHECKED BY											
PROJ. ENGR.											
REGIONAL ADM.		REVISION	DATE	BY							