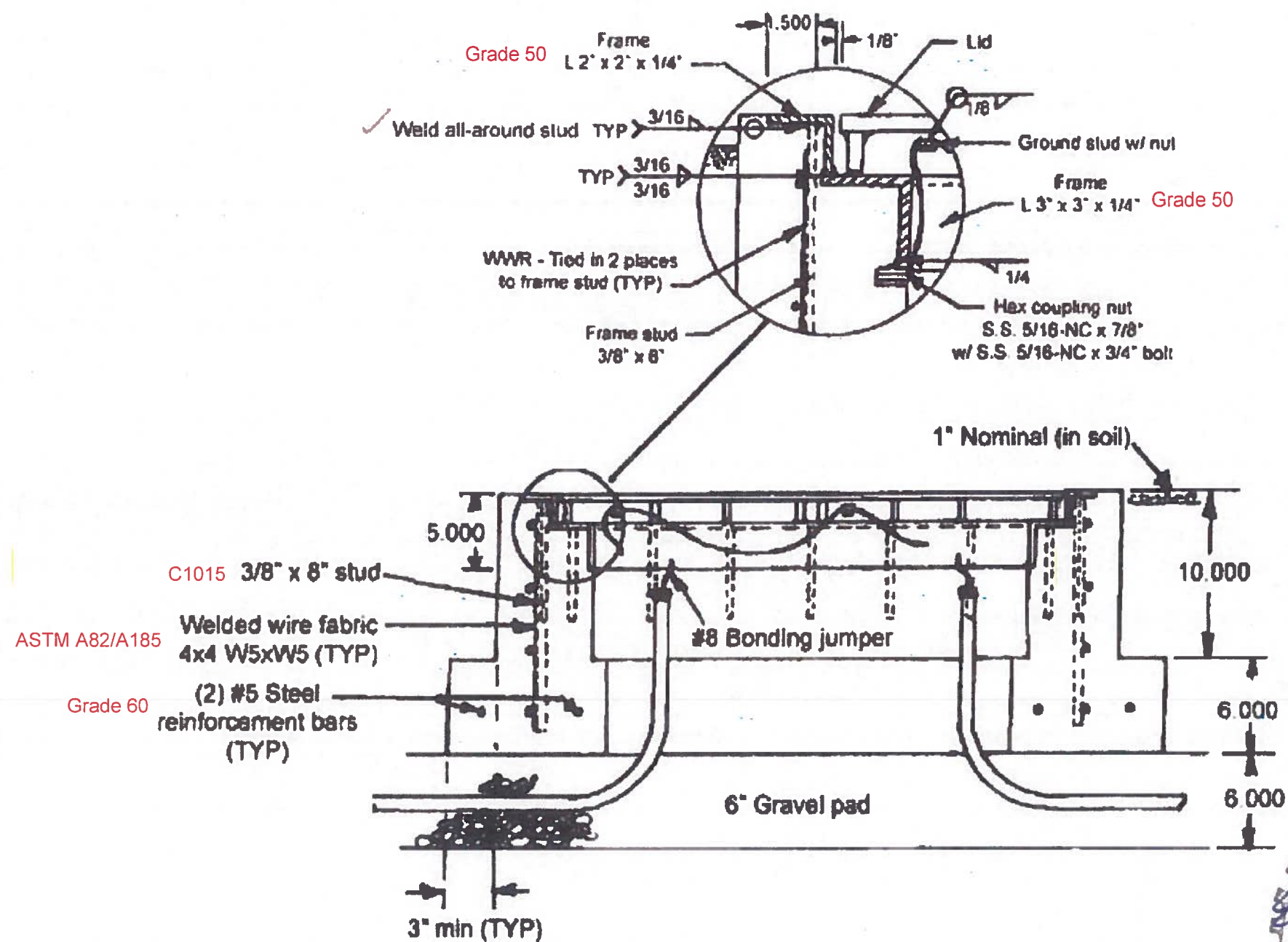


**APPROVED**  
 Washington State Department of Transportation  
 HQ Traffic Operations Office  
 BY: *[Signature]* DATE: 8/16/2019

**Fog Tite Inc. J-11 Type 6** *9/2/12*

4/5

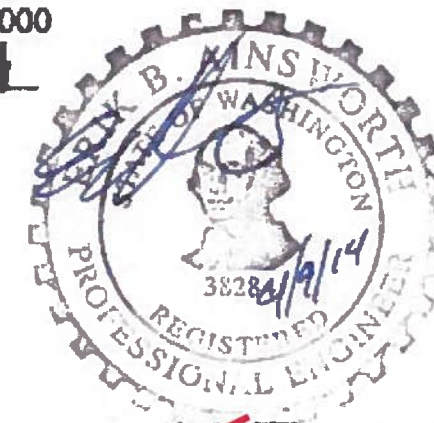


**APPROVED AS NOTED**

Washington State Department of Transportation  
HQ Traffic Operations Office

BY: [Signature] DATE: 4/10/2019

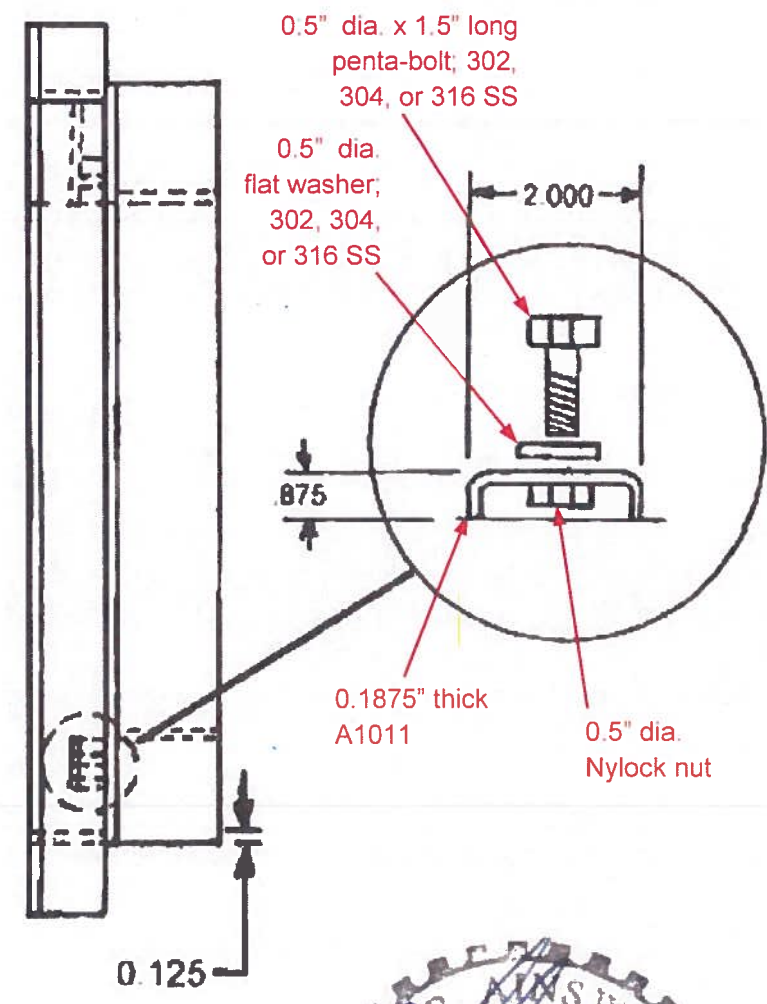
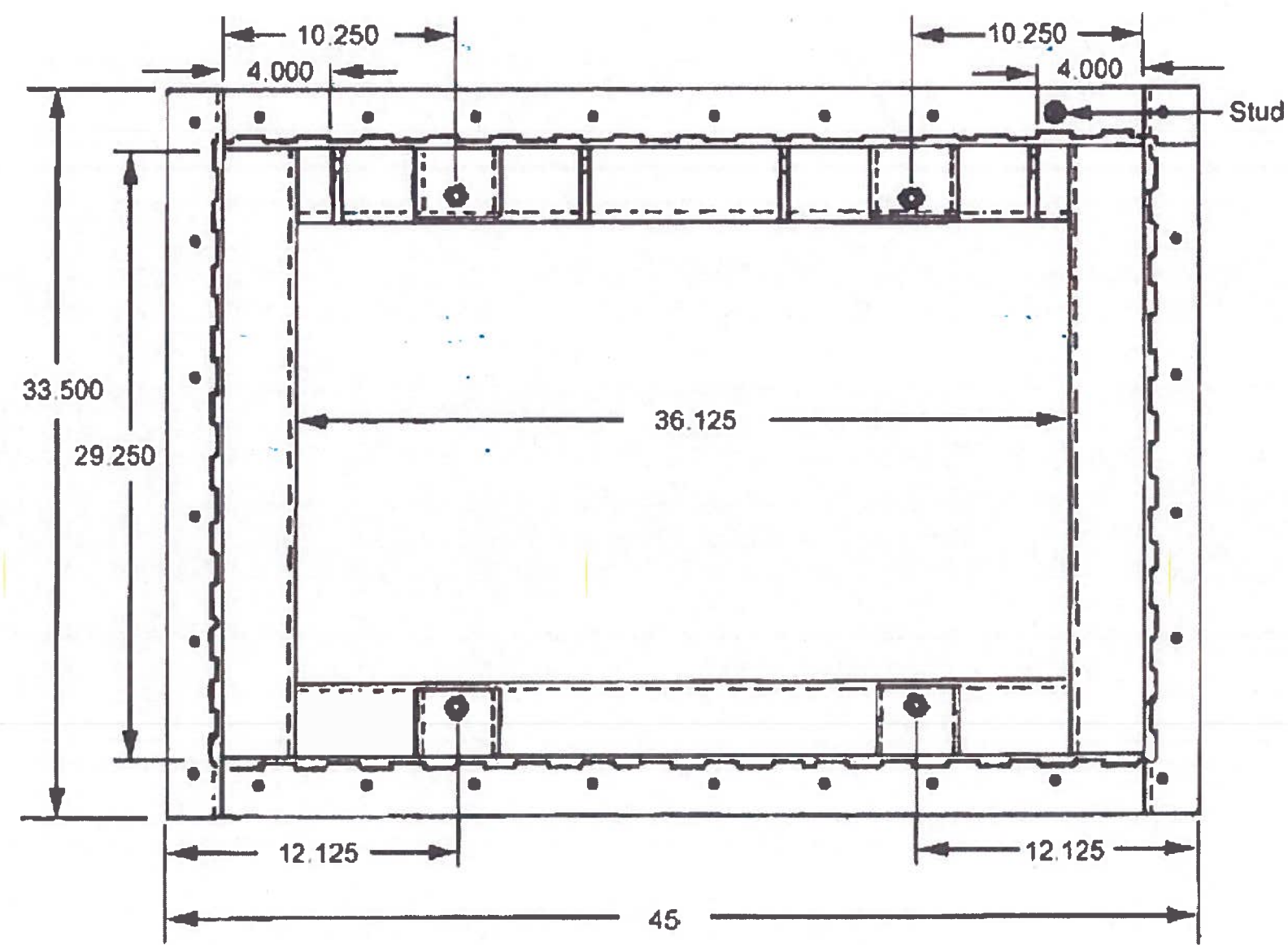
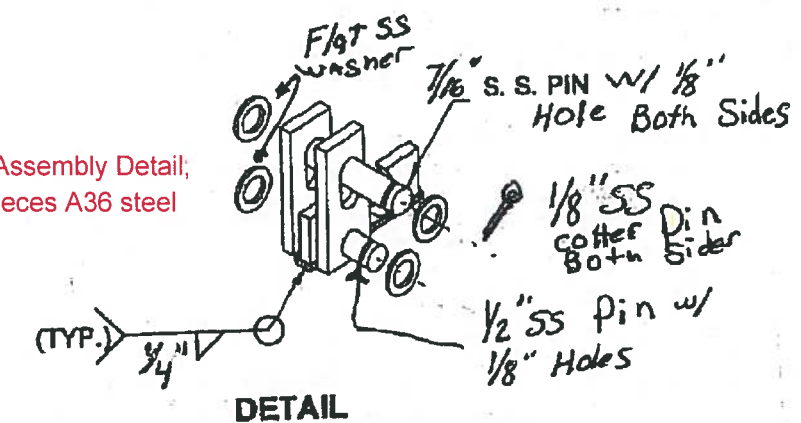
**Fog Tite Inc. J-11 Type 6**



24/3/19

3/5

Hinge Assembly Detail;  
plate pieces A36 steel



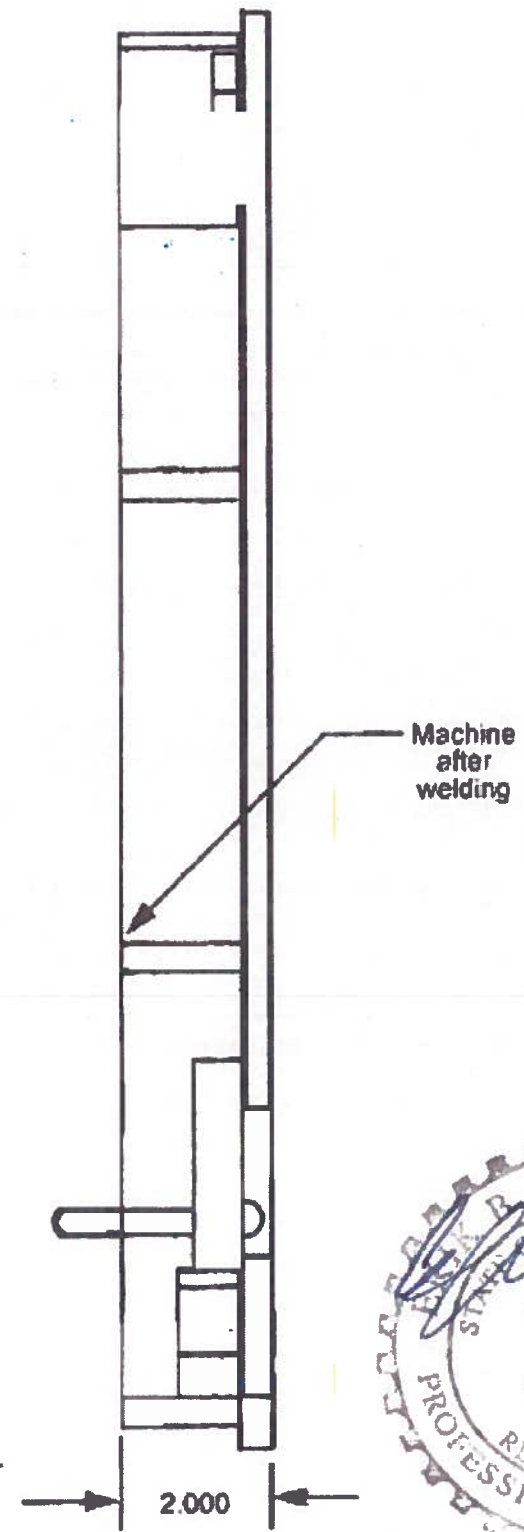
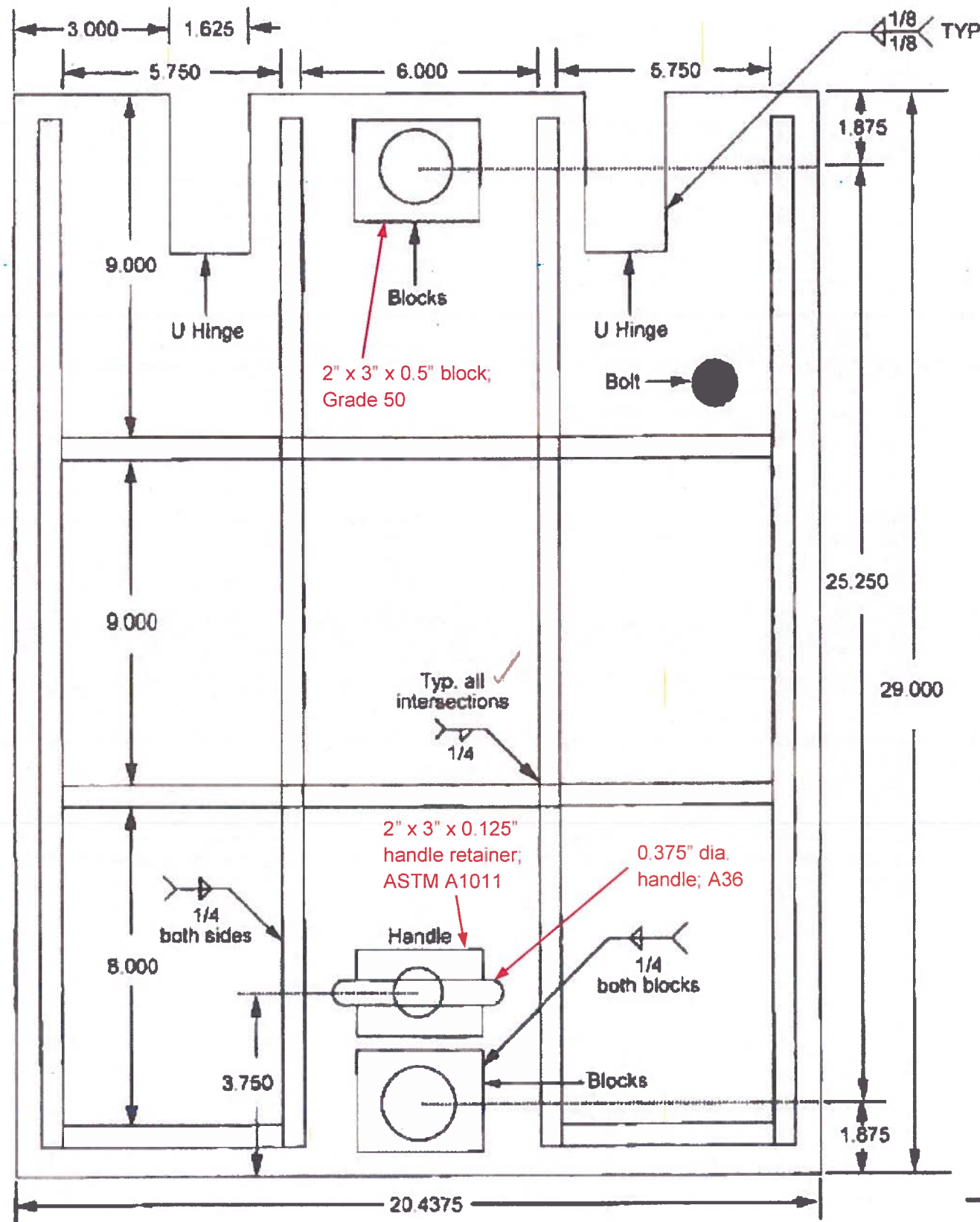
**APPROVED AS NOTED**  
 Washington State Department of Transportation  
 HQ Traffic Operations Office  
 BY: [Signature] DATE: 8/16/2019



**Fog Tite Inc. J-11 Type 6**

3/26

2/5



**APPROVED AS NOTED**

Washington State Department of Transportation

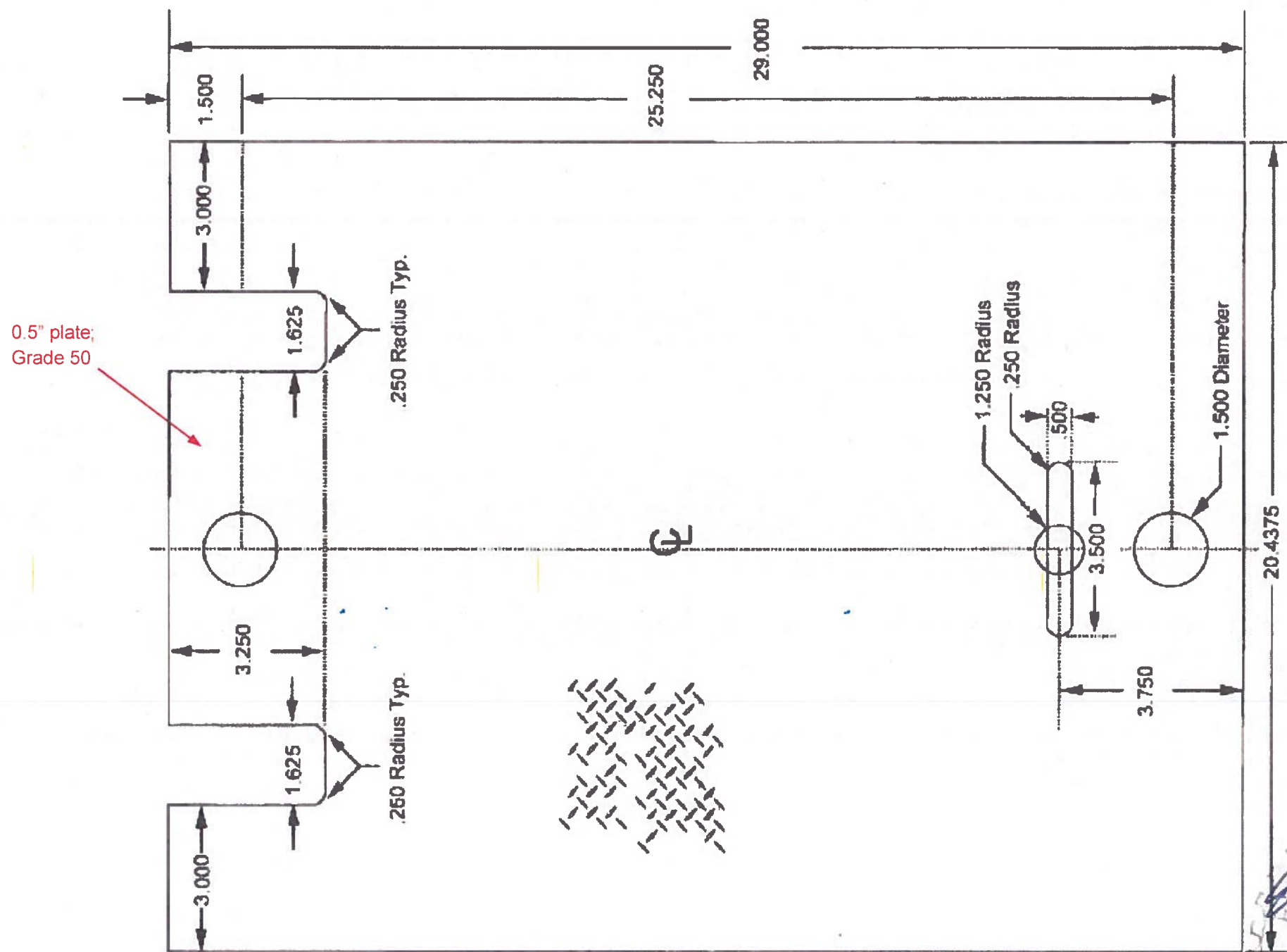
HQ Traffic Operations Office

BY: *[Signature]* DATE: 8/16/2019



**Fog Tite Inc. J-11 Type 6** 9/2/17

5/5



**APPROVED AS NOTED**

Washington State Department of Transportation  
HQ Traffic Operations Office

BY: *[Signature]* DATE: 8/16/2019



**Fog Tite Inc. J-11 Type 6** 72/5