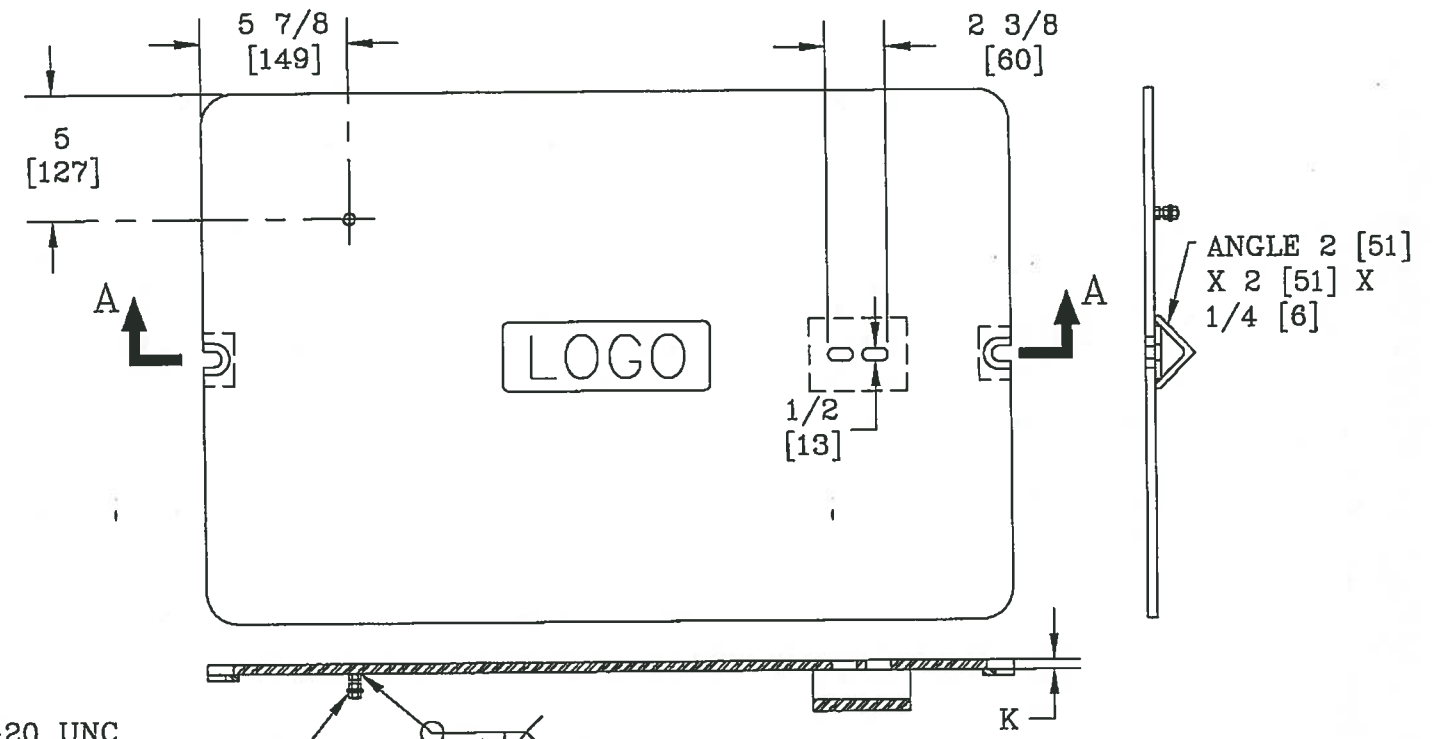


2X 3/8-7 X 2 [51] LONG S.S. PENTA HEAD AUGER GRADE 2 BOLT

Ø3/8 [10] S.S. FLAT WASHER

MEBAC COATING FOR SKID RESISTANT SURFACE

STENCIL ON THE BOTTOM OF THE COVER THE YEAR OF MANUFACTURE AND MEBAC TREATMENT ("M1" FOR MEBAC#1 OR "S3" FOR SLIPNOT GRADE 3-COURSE). STENCIL TO BE 1/8 [3] X 1 [25] STAINLESS STEEL WELD BEAD.



SECTION A-A

GROUNDING STUD: 1/4-20 UNC X 1 [25] LONG S.S. HEX HEAD BOLT W/ (2) 1/4-20 S.S. HEX NUTS & (2) Ø1/4 [6] FLAT WASHERS

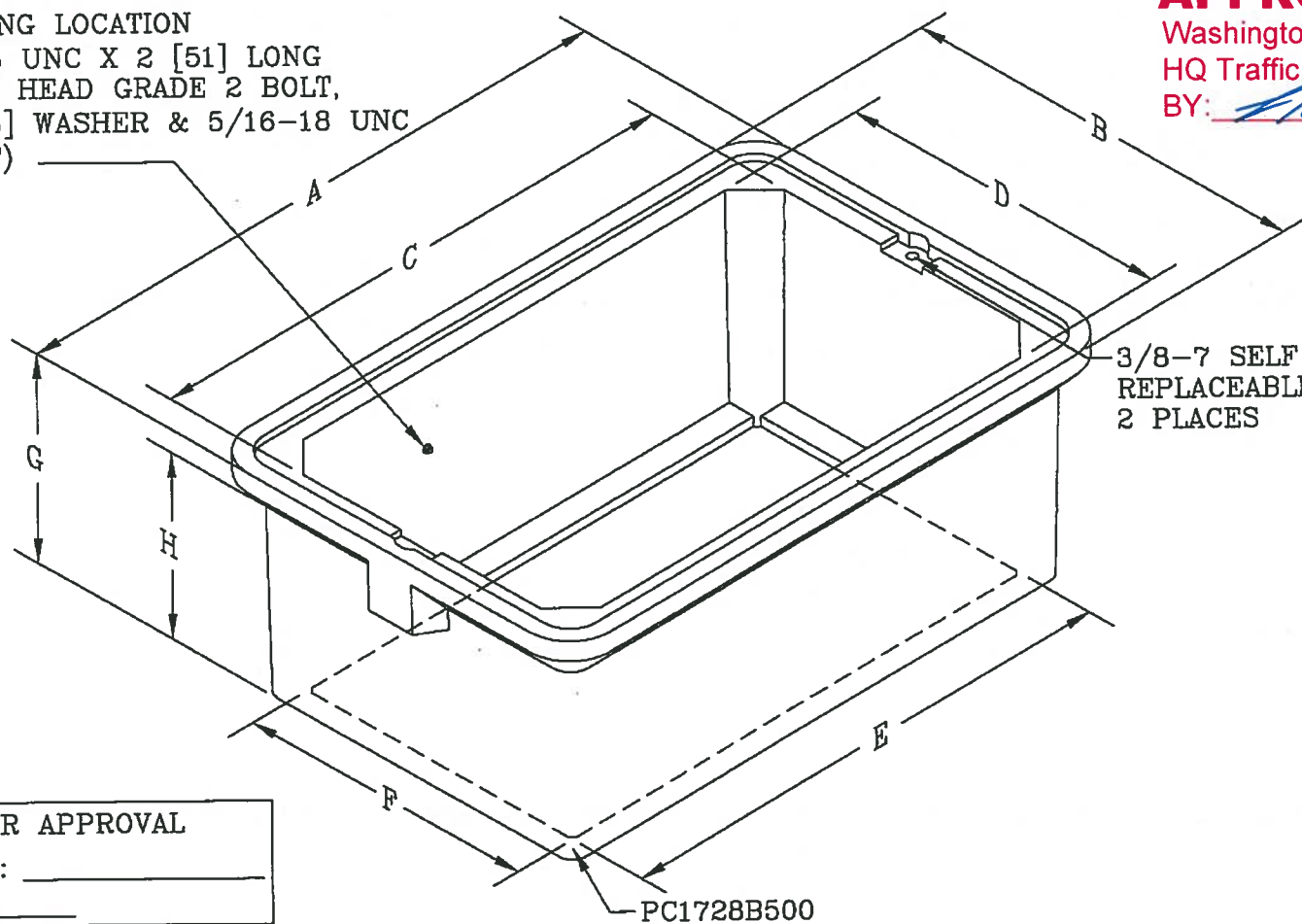
APPROVED

Washington State Department of Transportation
 HQ Traffic Operations Office
 BY: *[Signature]* DATE: 5/11/2017

NOTES:

- CUSTOMER IS WSDOT.
- BOX AND COVER WILL MEET ALL TEST PROVISIONS OF THE ANSI/SCTE 77 TIER 15 LOADING REQUIREMENT.
- THE COVER MATERIAL WILL MEET ASTM A36 & ASTM A786 REQUIREMENTS. COVER WILL HAVE THE MEBAC COATING OR EQUIVALENT, AND IS TO BE INOCULATED W/ ZINC CHROMATE AFTER FABRICATION.
- INTERIOR BOX VOLUME IS 6,591 in³.
- 3/8-7 AUGER BOLTS MEET THE REQUIREMENT FOR ASTM F 593.
- ALL HARDWARE IS 18-8 STAINLESS STEEL.

GROUNDING LOCATION (5/16-18 UNC X 2 [51] LONG S.S. HEX HEAD GRADE 2 BOLT, Ø5/16 [8] WASHER & 5/16-18 UNC HEX NUT)



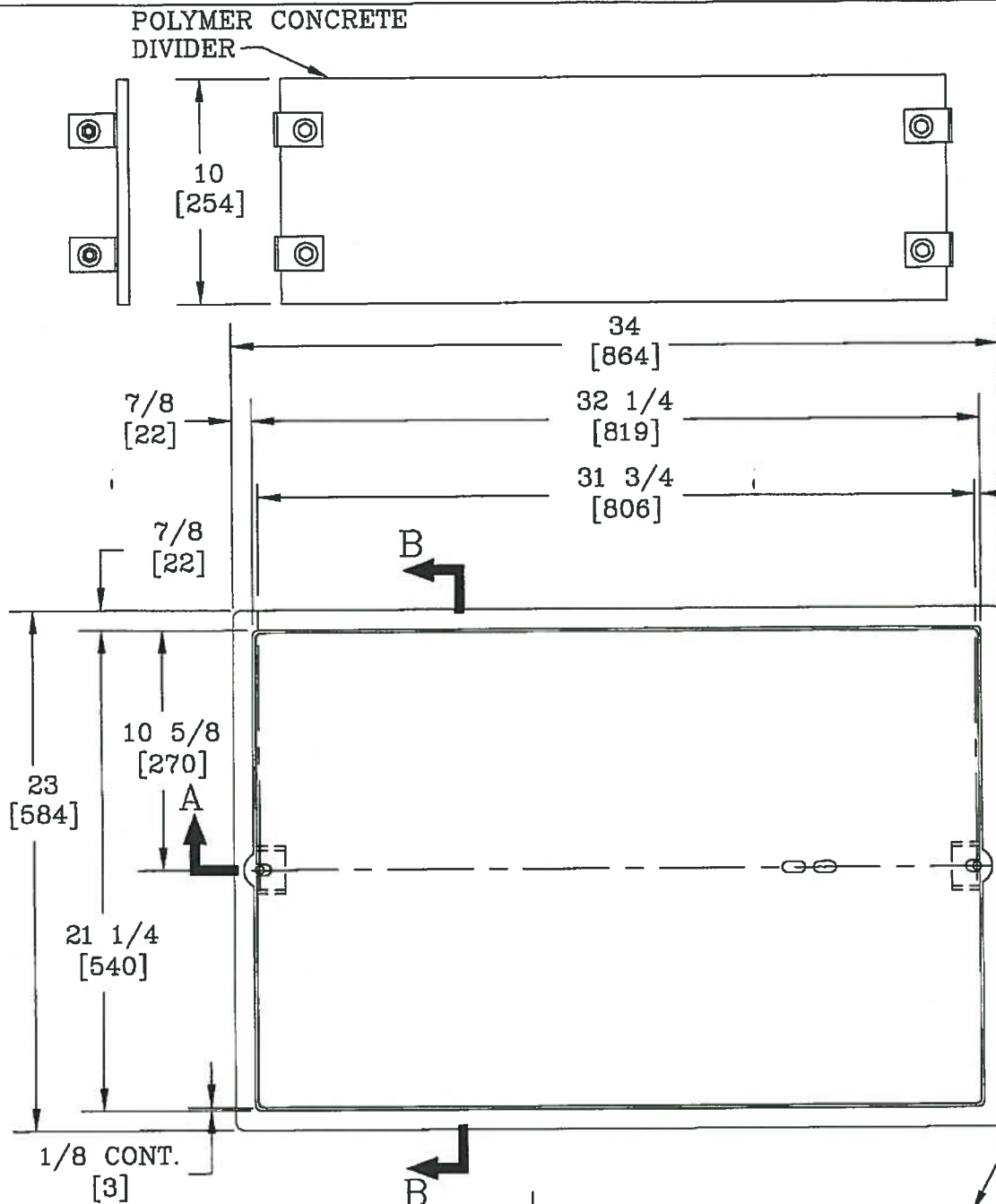
*LOGO CHART	
LOGO CODE	TEXT
U13	COMM
U23	ITS
U33	LT
U43	TS
U53	TEL

JUNCTION BOX DIMENSION TABLE		
MARK	ITEM	BOX TYPE 2
A	OUTSIDE LENGTH OF JUNCTION BOX	34
B	OUTSIDE WIDTH OF JUNCTION BOX	23
C	INSIDE LENGTH AT TOP OF BOX	30 7/16
D	INSIDE WIDTH AT TOP OF BOX	19 7/16
E	INSIDE LENGTH AT FOOT	28
F	INSIDE WIDTH AT FOOT	17
G	OVERALL HIGHTH OF BOX	12
H	HIGHTH OF BOX TO COVER LEDGE	11 5/8
I	COVER LENGTH	32
J	COVER WIDTH	21
K	COVER DEPTH	3/8

CUSTOMER APPROVAL
 APPROVED BY: _____
 DATE: _____

DIMENSIONS ARE IN INCHES OR MILLIMETERS IN BRACKETS UNLESS OTHERWISE NOTED.

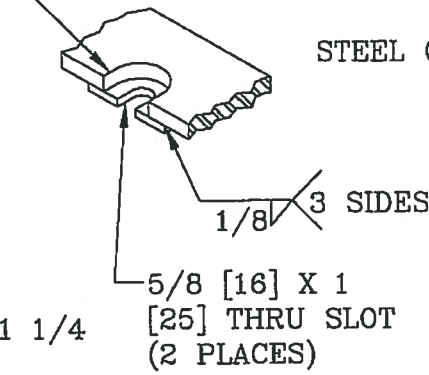
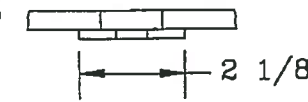
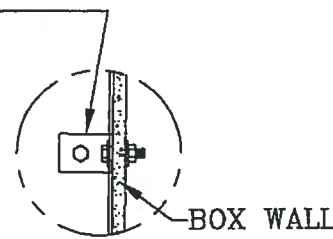
DRN	BY	DATE	WEIGHT	3621 INDUSTRIAL PARK DR LENOIR CITY, TN 37771 800-346-3062 www.quazite.com	LOC
CHK	M&F	10/17/11	151# 68kg		LC
ENG			SCALE	DRAWING DESCRIPTION QUAZITE® 17 X 28 X 12 BOX & COVER ASSEMBLY	S
APR			N.T.S.		REV
APR			SIZE		M
PROJECT NUMBER			8		9/16
104334			B		
SHEET 1 OF 2				DRAWING NUMBER	
				PC1728Z500-1	



3/8-16 UNC X 1 1/2 [38]
LONG S.S. GRADE 2 HEX
HEAD BOLT, 3/8-16 UNC HEX
NUT, & ASTM A36 GALVANIZED STEEL
L-BRACKET BOLTED TO THE SIDE
OF WALL OF BOX

1 1/4 [32] X 1 3/8 [35]
SLOT (2 PLACES)

2X 3/8-7 X 2 [51] LONG
S.S. PENTA HEAD AUGER BOLT

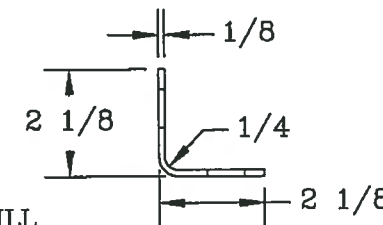
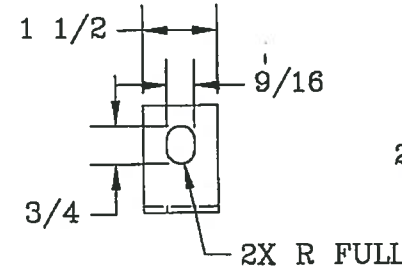


LOCKING PLATE
SEE NOTE 3
SHEET 1

Ø3/8 [10] S.S.
FLAT WASHER

3/8-7 SELF ALIGNING,
REPLACEABLE EZ-NUT
2 PLACES

BOLT DOWN DETAIL
NTS



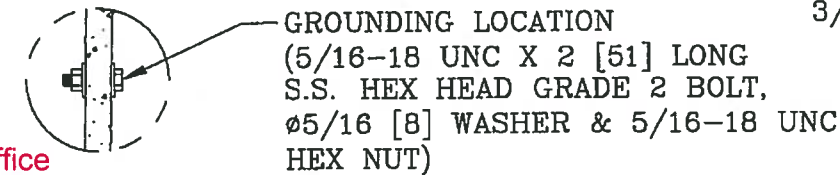
SLOT DETAIL
NTS

L-BRACKET DETAIL
SCALE: HALF

APPROVED

Washington State
Department of
Transportation
HQ Traffic Operations Office
BY: *[Signature]*

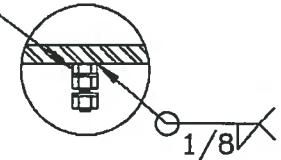
DATE: 5/11/2017 **GROUNDING BOLT DETAIL**
NTS



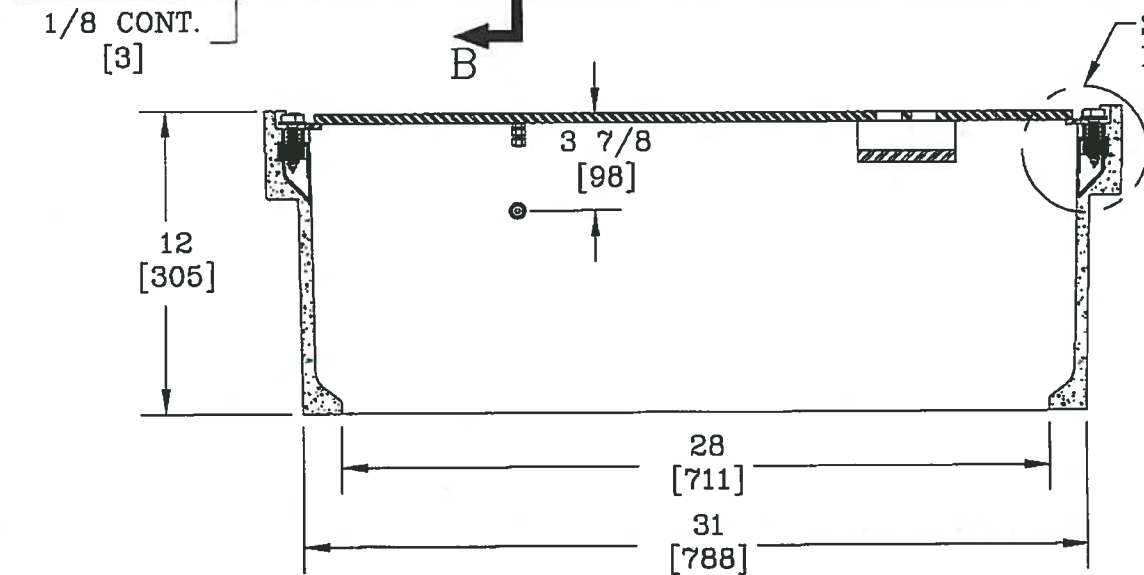
3/8-16 UNC X 1 1/2 [38]
LONG S.S. BOLT, 3/8
LOCK WASHER, BRACKET &
3/8-16 UNC HEX NUT



GROUNDING STUD: 1/4-20 UNC
X 3/4 [19] LONG S.S. HEX HEAD
BOLT W/ (2) 1/4-20 S.S. HEX NUTS
& (2) Ø1/4 [6] FLAT WASHERS

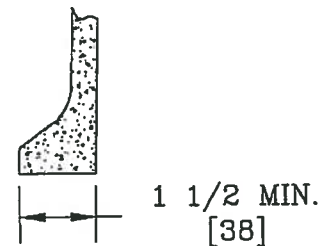


GROUNDING STUD DETAIL
NTS



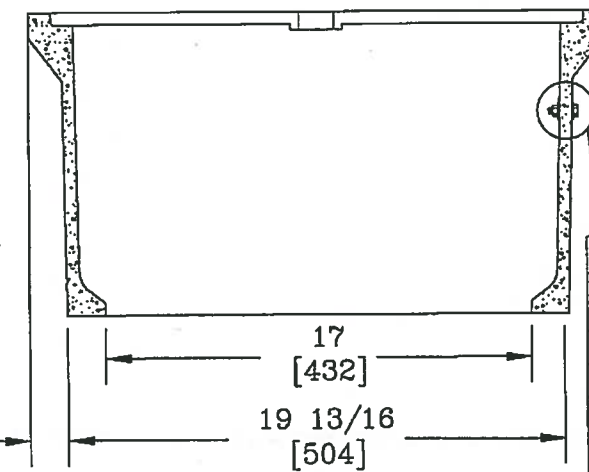
SECTION A-A

SEE BOLT
DOWN DETAIL



FOOT DETAIL
SCALE: HALF

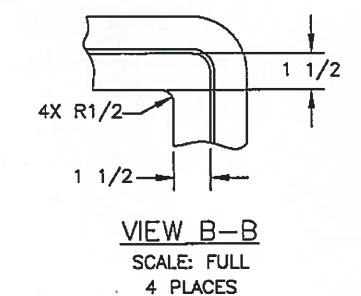
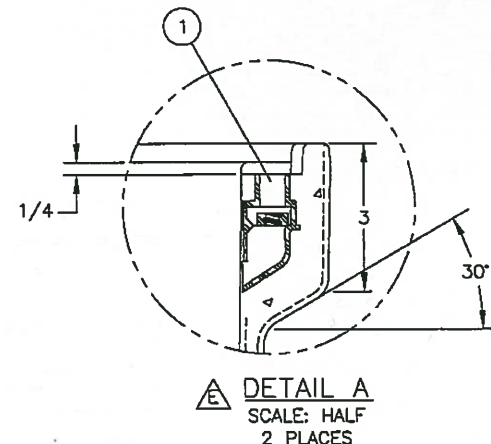
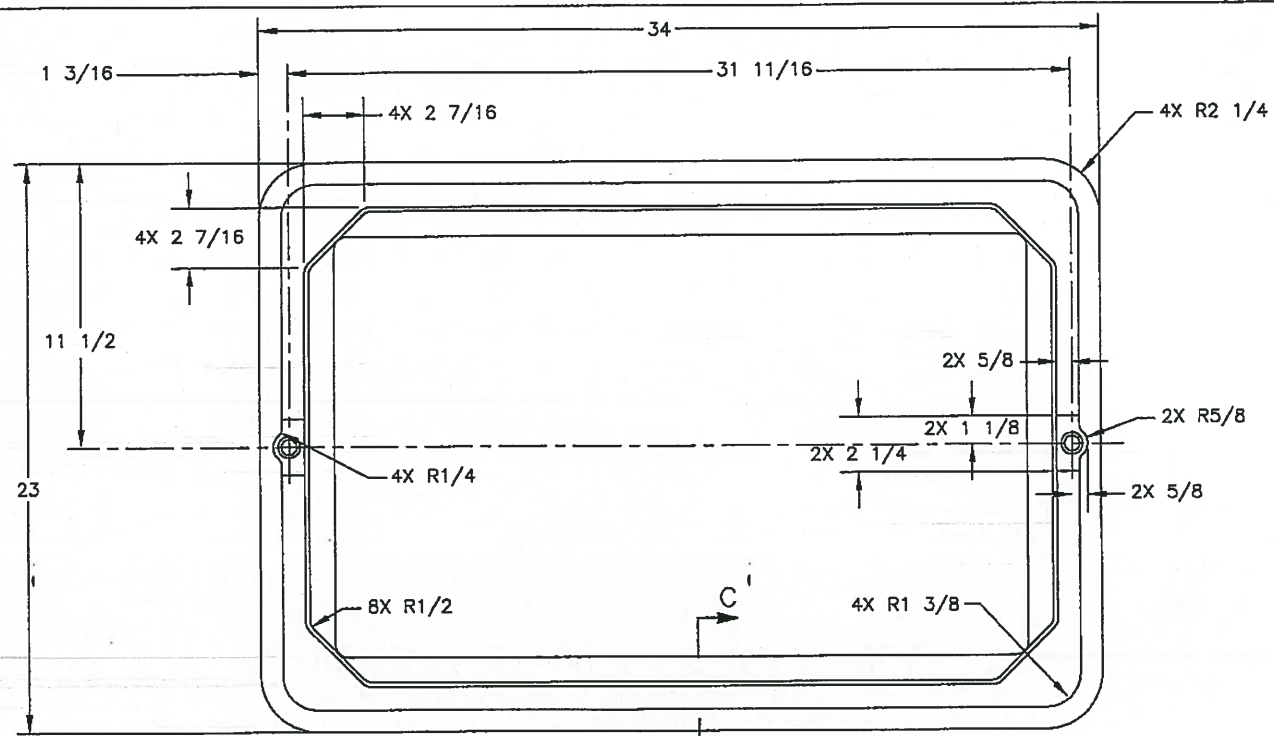
1 1/2 [38]



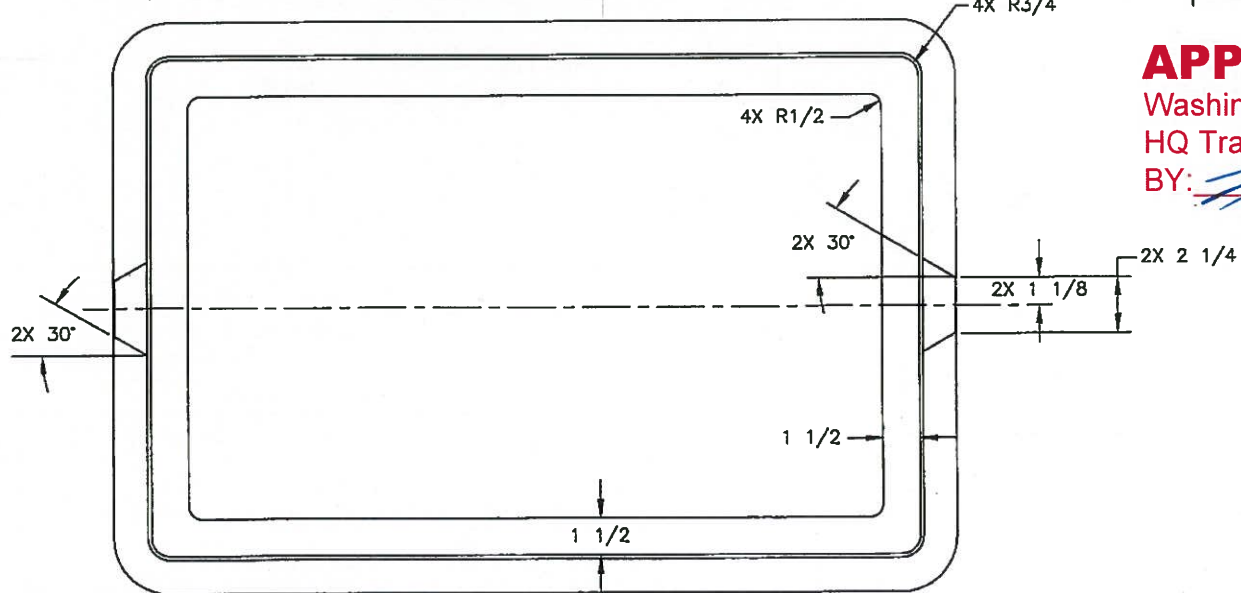
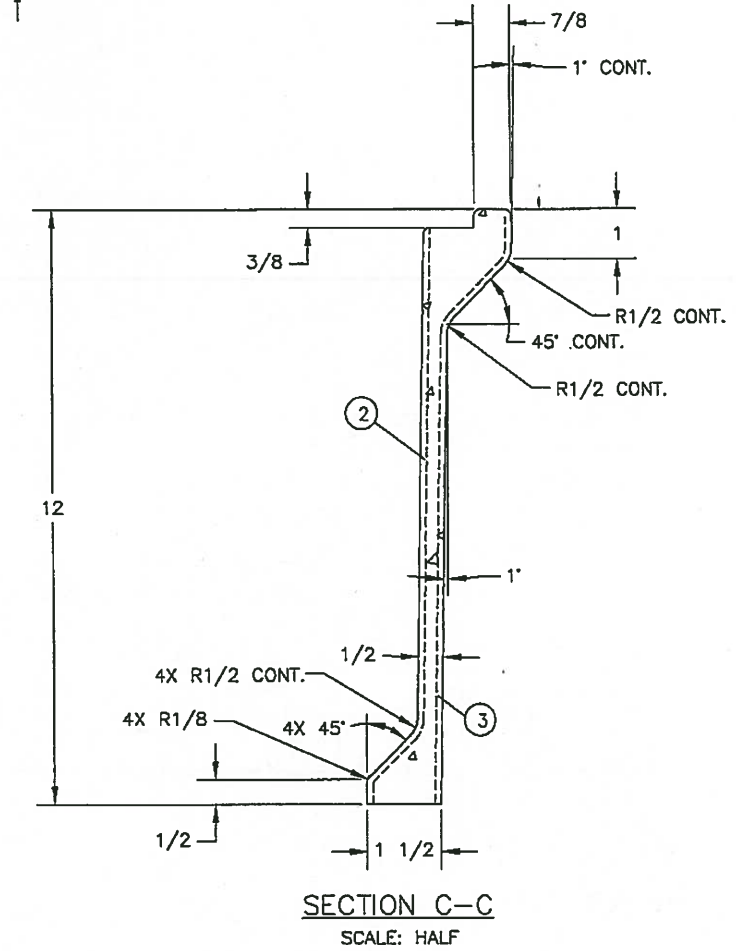
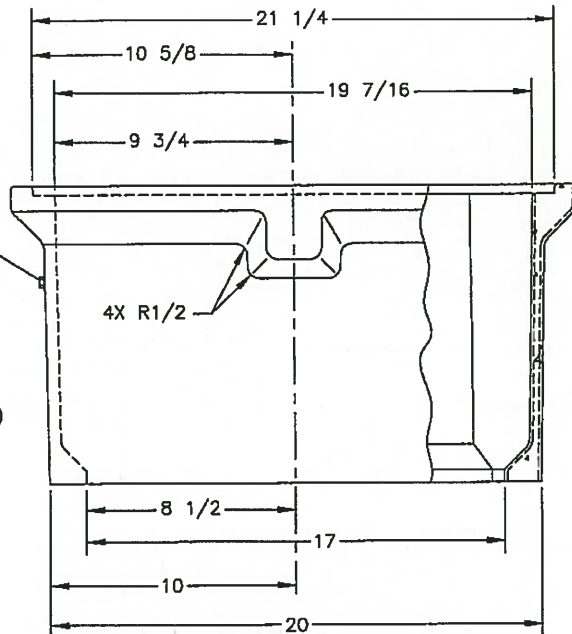
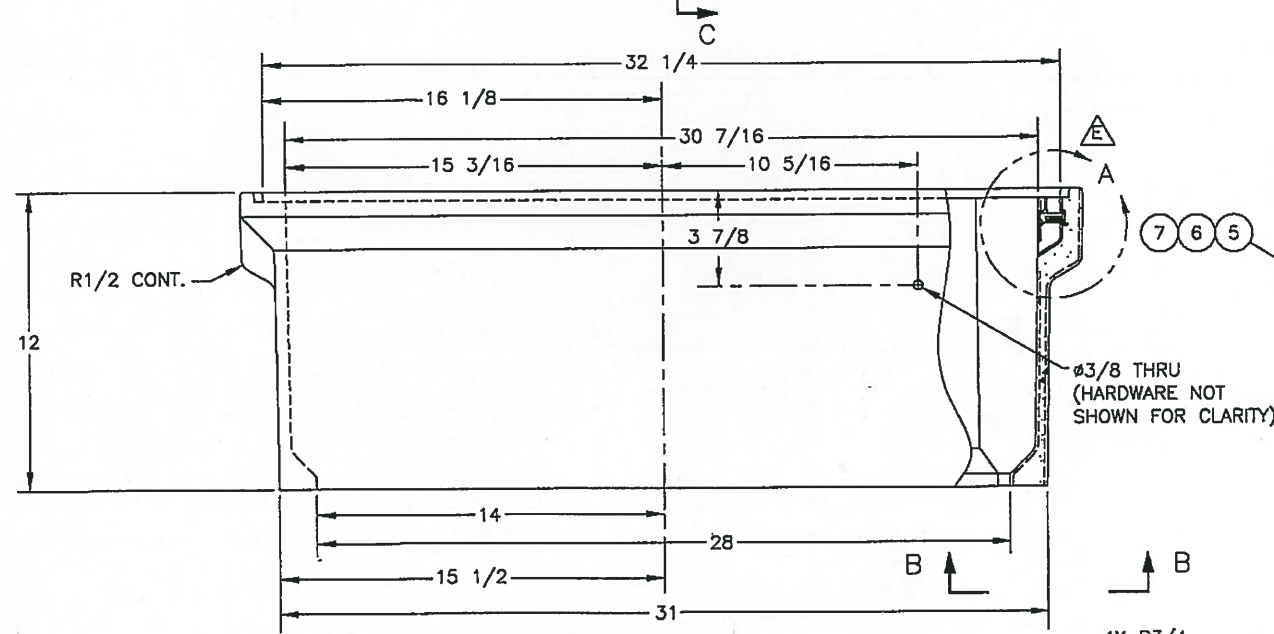
SECTION B-B

SEE GROUNDING
BOLT DETAIL

DIMENSIONS ARE IN INCHES OR MILLIMETERS IN BRACKETS UNLESS OTHERWISE NOTED.				HUBBELL	3621 INDUSTRIAL PARK DR. LENOIR CITY, TN 37771 800-346-3062 www.quazite.com	LOC LC S REV M 9/18
DRN	BY	DATE	WEIGHT 151# 68kg			
CHK	ARN	10/17/11	SCALE NTS	DRAWING DESCRIPTION QUAZITE® 17 X 28 X 12 BOX & COVER ASSEMBLY		
ENG	M&F	10/17/11	SIZE B			
APR						
PROJECT NUMBER 104334				DRAWING NUMBER PC1728Z500-2		SHEET 2 OF 2



ITEM NO.	CAT.	PART NUMBER	DESCRIPTION	QUANTITY	UOM
1	L	COB0412	INSERT EZ-NUT 3/8-7 LAG ASSY (FULL)	2.00	EA
2	L	C092069	FG 10 BA 110.00 X 12.00	1.00	EA
3	L	C092072	FG 10 BA 100.00 X 12.00	1.00	EA
4	L	C099200	MIX-UT BOX 15.5 PCT RESIN	77.00	LB
5	L	C082246	BOLT SS 5/16-18 X 2 HEX	1.00	EA
6	L	C082341	NUT SS 5/16-18 UNC HEX	1.00	EA
7	L	C080270	WASHER SS 5/16ID X 3/4OD FLAT	1.00	EA



APPROVED
 Washington State Department of Transportation
 HQ Traffic Operations Office
 BY: *[Signature]* DATE: 2/5/2018

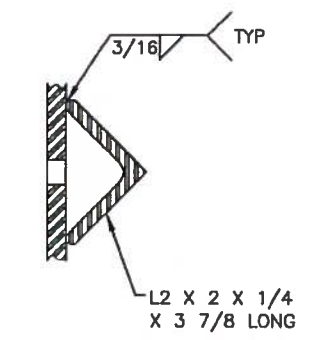
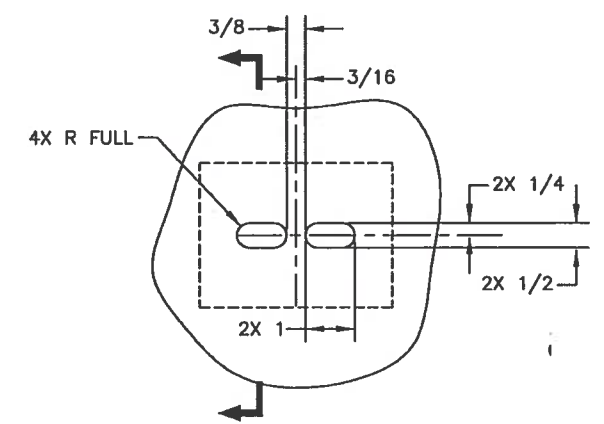
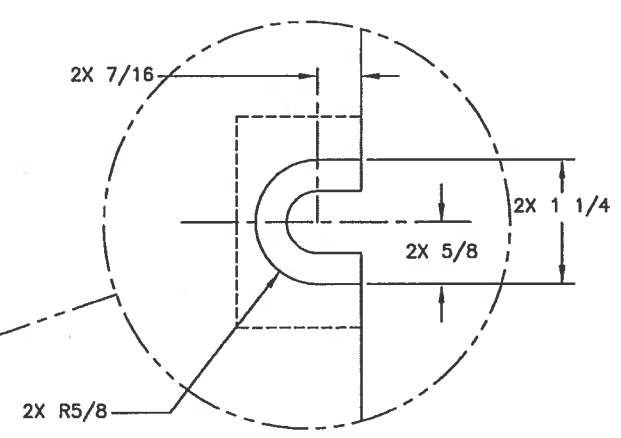
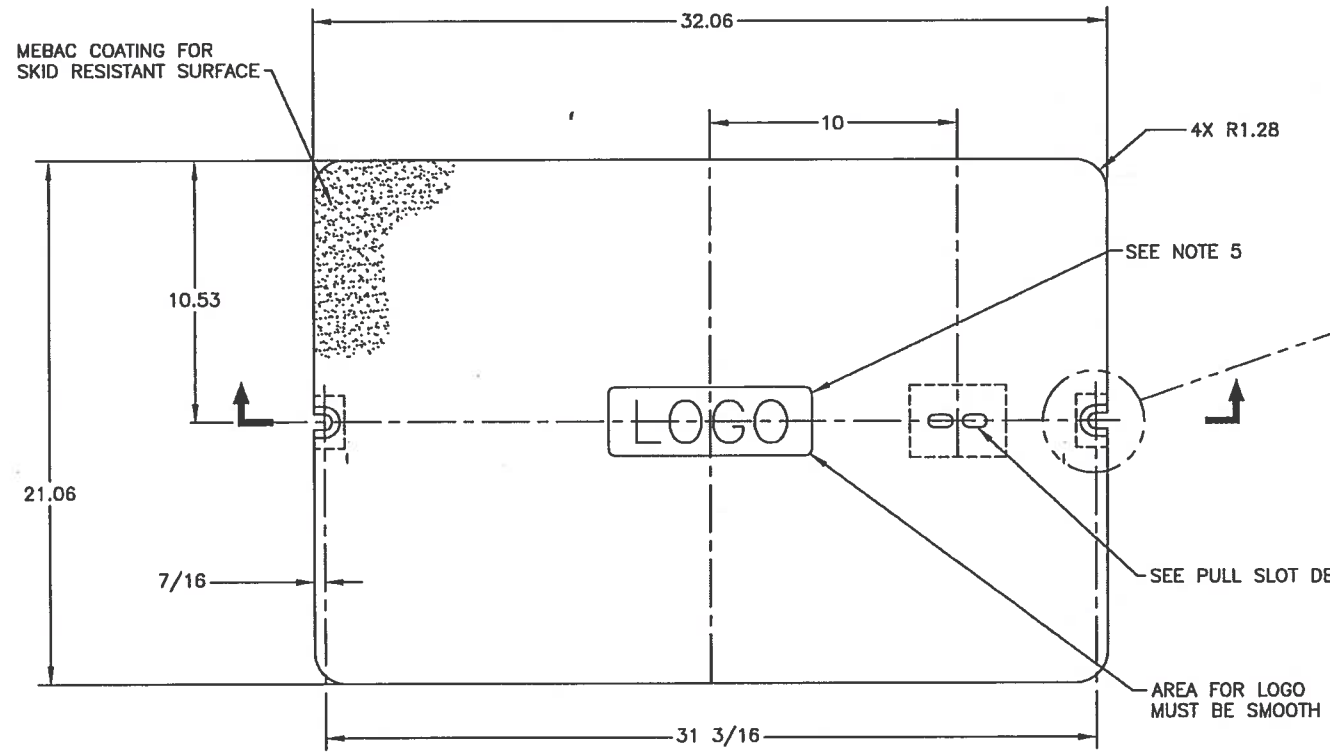
**NOTE: BOX PART NUMBER STAMP WILL READ:
 PC1728B500A**



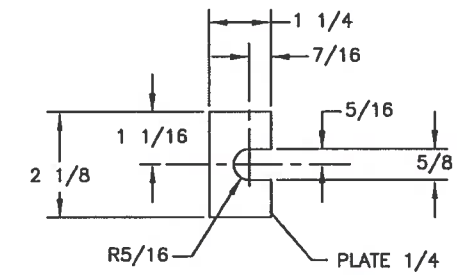
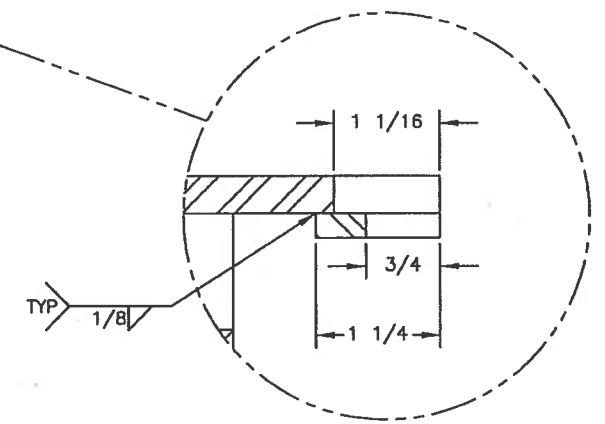
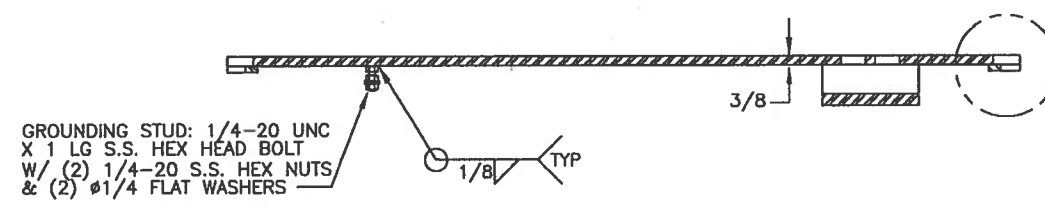
- NOTES:
1. ALL FILLETS AND RADII TO BE 1/8 UNLESS OTHERWISE SPECIFIED.
 2. FOR EZ-NUT RETAINER TOOLING SEE CT96108-2
 3. RATED FOR TIER 15 APPLICATIONS

APPROVED 1. MAINT. _____ 2. PROD. _____ 3. QUALITY _____		STANDARD TOLERANCES <small>ALL DIMENSIONS ARE IN INCHES UNLESS OTHERWISE SPECIFIED</small>			
		.0 ±.100 .00 ±.060 .000 ±.010 FRACTIONAL ±1/16 ANGULAR ±.5°		3821 INDUSTRIAL PARK DR LENOIR CITY, TN 37771 800-348-3082 www.quazite.com	
PROPRIETARY INFORMATION <small>THIS DRAWING EMPLOYS PROPRIETARY AND CONFIDENTIAL INFORMATION, AND IS LOANED BY HUBBELL TO THE UNDERSIGNED. IT IS NOT TO BE REPRODUCED OR TRANSMITTED IN ANY FORM OR BY ANY MEANS, ELECTRONIC OR MECHANICAL, INCLUDING PHOTOCOPYING, RECORDING, OR BY ANY INFORMATION STORAGE AND RETRIEVAL SYSTEM, WITHOUT THE WRITTEN PERMISSION OF HUBBELL. THIS DRAWING IS THE PROPERTY OF HUBBELL AND IS TO BE RETURNED TO HUBBELL UPON COMPLETION OF THE PROJECT.</small>		PROJECT NUMBER 110611		DRAWING NUMBER PC1728B500-2-1	

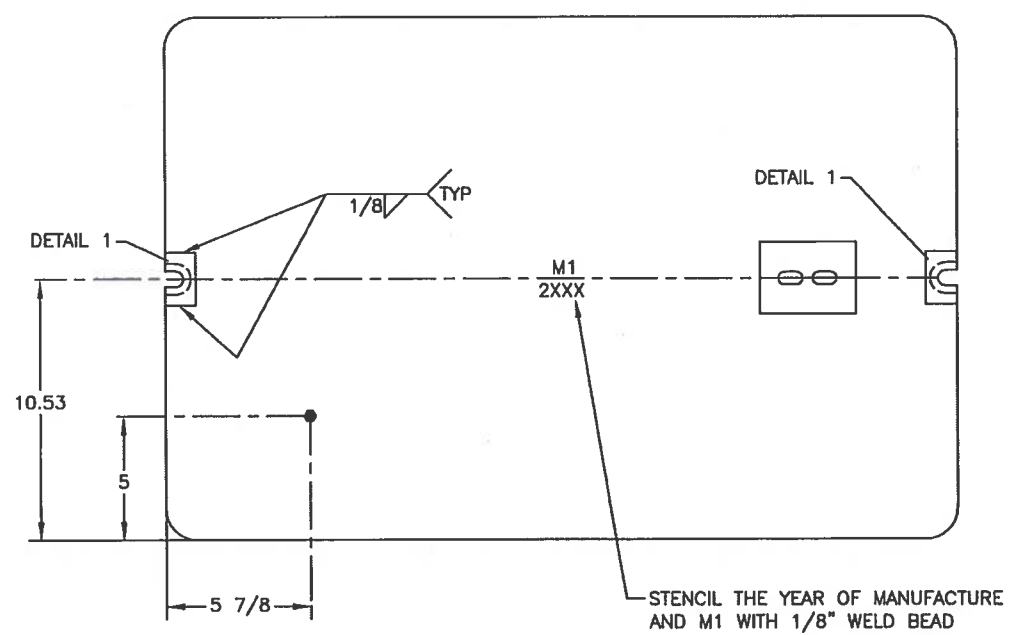
PART NUMBER	LOGO
PC1728S500U33	LT
PC1728S500U53	TEL
PC1728S500U23	ITS
PC1728S500U13	COMM
PC1728S500U43	TS



PULL SLOT DETAIL
SCALE: HALF



DETAIL 1
SCALE: HALF
2 REQUIRED



APPROVED
Washington State Department of Transportation
HQ Traffic Operations Office
BY: *[Signature]* DATE: 5/11/2017

- NOTES:**
- ALL MATERIAL TO BE ASTM A36 OR EQUIVALENT
 - ALL WELD TO USE E-70 SERIES ELECTRODES; WELD PENETRATION NOT TO EXCEED 75% OF THINNER MATERIAL.
 - PAINTING:**
 - DEBURR, CLEAN MILL SCALE & SLAG, AND DEGREASE
 - APPLY SKID RESISTANT COATING AFTER FABRICATION
 - HOT DIP GALVANIZE AFTER COATING
 - THIS COVER IS RATED FOR A DESIGN LOAD OF 15,000 LBS.
 - LOGO TO BE 1" HIGH LETTERS USING 1/8" WELD BEAD.

APPROVED

1. MAINT.	_____
2. PROD.	_____
3. QUALITY	_____

STANDARD TOLERANCES		HUBBELL		3821 INDUSTRIAL PARK DR LENOIR CITY, TN 37771 600-346-3082 www.quazite.com	
ALL DIMENSIONS ARE IN INCHES UNLESS OTHERWISE SPECIFIED		BY	DATE	WEIGHT	DRAWING DESCRIPTION
.0.....	±.100	DRN	3/5	72#	QUAZITE® STEEL COVER
.00.....	±.060	CHK	1/27/15	SCALE	
.000.....	±.010	ENR	3/27/15		
FRACTIONAL.....	±1/16	APR			
ANGULAR.....	±5'	PROJECT NUMBER			
<small>THIS DRAWING INCLUDES PROPRIETARY AND CONFIDENTIAL INFORMATION AND IS LOANED BY HUBBELL WITH THE UNDERSTANDING THAT IT WILL NOT BE REPRODUCED IN WHOLE OR IN PART, AND/OR BE USED FOR ANY PURPOSE OTHER THAN MAINTENANCE, FABRICATION, OR INSTALLATION UNLESS EXPRESSLY AUTHORIZED, AND THAT IT BE RETURNED ON DEMAND.</small>					
SHEET 1 OF 1				DRAWING NUMBER PC1728S500-2-1	