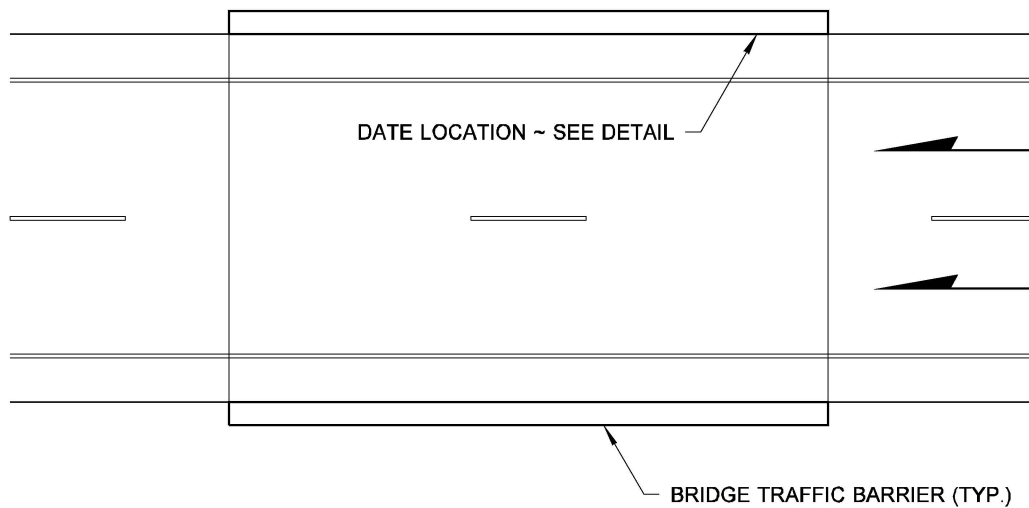


PLAN VIEW

DATE LOCATION ON TWO-WAY BRIDGES

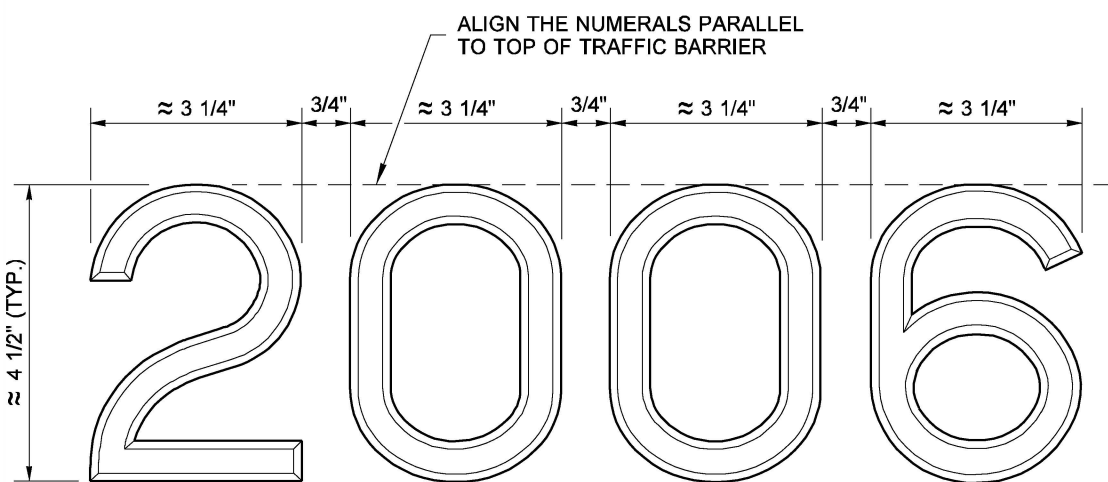


PLAN VIEW

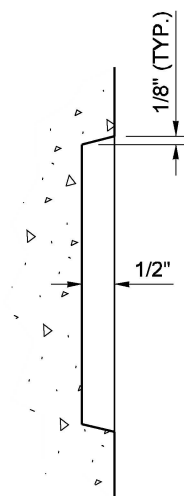
DATE LOCATION ON ONE-WAY BRIDGES

NOTES

1. All numerals are approx. 3 1/4" wide except numeral "1" which is approx. 5/8" wide.
2. Spacing between the numeral "1" and any other numeral is 1". Spacing between all other numerals is 3/4".
3. Traffic Barrier Connections between the bridge and the approaching roadway vary and may consist of concrete barrier extensions. Install the Date Numerals on the traffic barrier of the bridge itself.

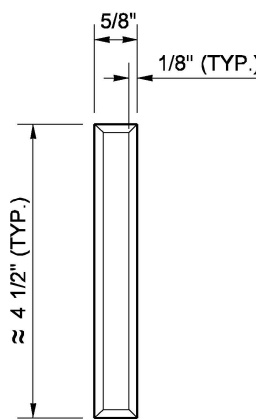


TYPICAL DATE NUMERALS

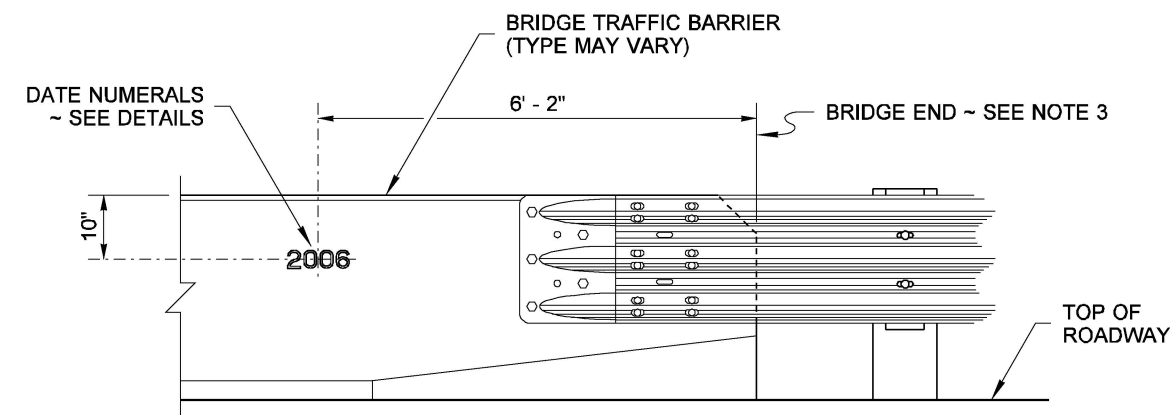


TYPICAL SECTION VIEW

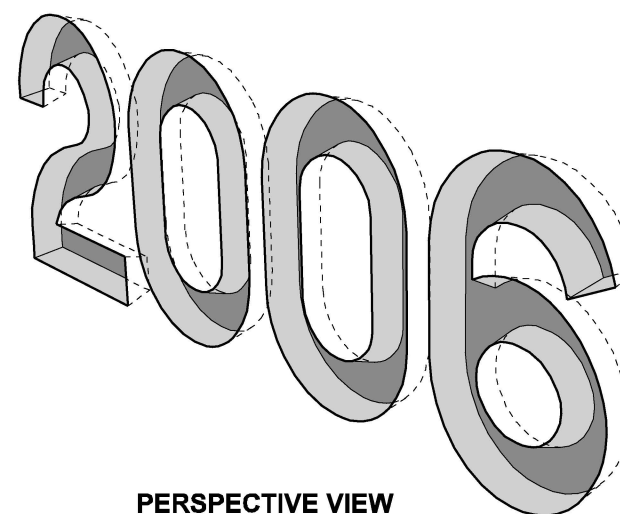
DATE NUMERAL DETAILS



NUMERAL "1"



ELEVATION VIEW
DATE LOCATION DETAIL



PERSPECTIVE VIEW



EXPIRES AUGUST 26, 2007

**DATE NUMERAL
PLACEMENT ON
BRIDGE TRAFFIC BARRIER
STANDARD PLAN E-1**

SHEET 1 OF 1 SHEET

APPROVED FOR PUBLICATION

Ken L. Smith

STATE DESIGN ENGINEER

02-21-07

DATE



Washington State Department of Transportation

NOTE: THIS PLAN IS NOT A LEGAL ENGINEERING DOCUMENT BUT AN ELECTRONIC DUPLICATE. THE ORIGINAL, SIGNED BY THE ENGINEER AND APPROVED FOR PUBLICATION, IS KEPT ON FILE AT THE WASHINGTON STATE DEPARTMENT OF TRANSPORTATION. A COPY MAY BE OBTAINED UPON REQUEST.