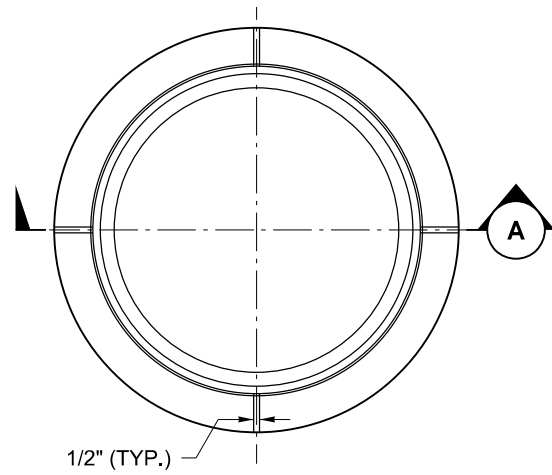
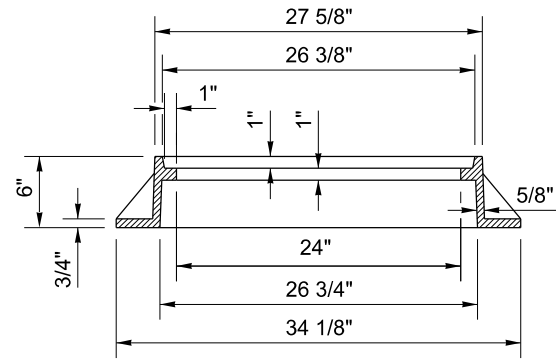


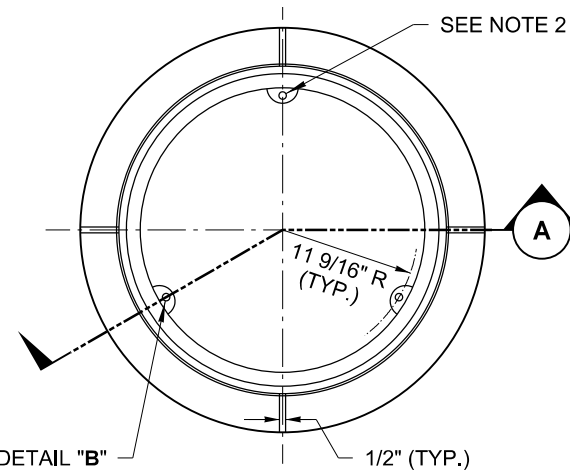
**BLIND PICK NOTCH  
DETAIL "A"**



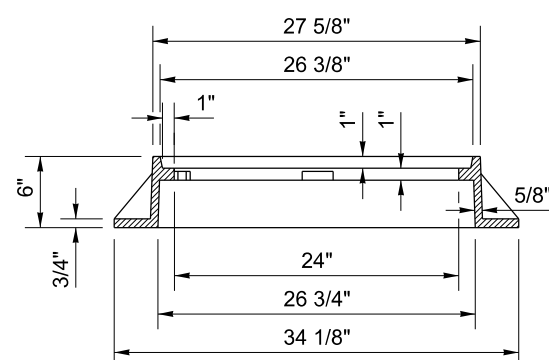
**RING PLAN**



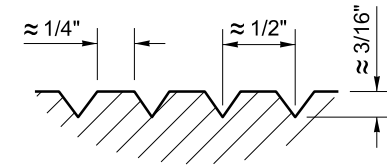
**RING SECTION A**



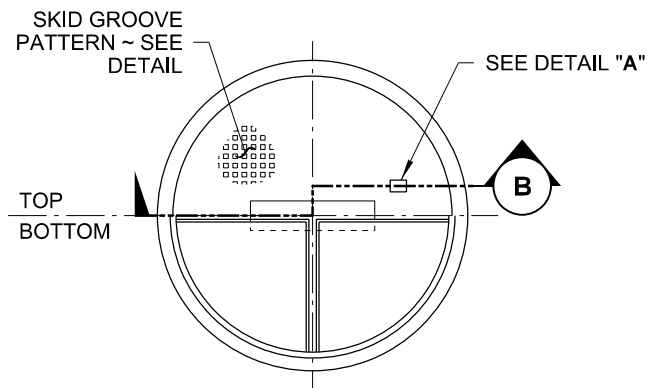
**RING PLAN**



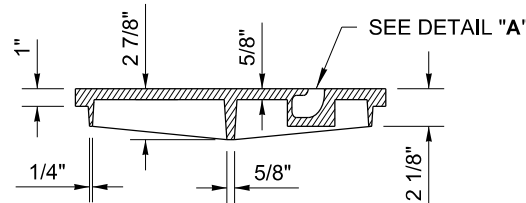
**RING SECTION A**



**SKID GROOVE PATTERN  
DETAIL**

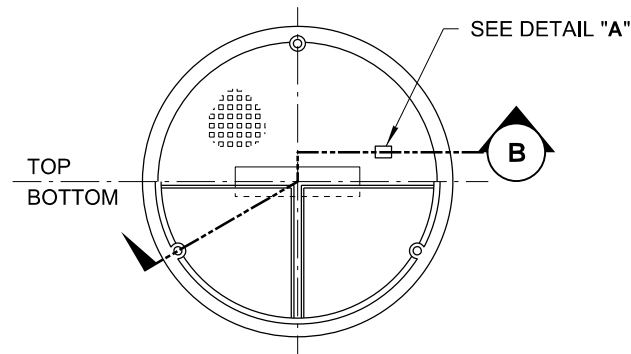


**COVER PLAN**

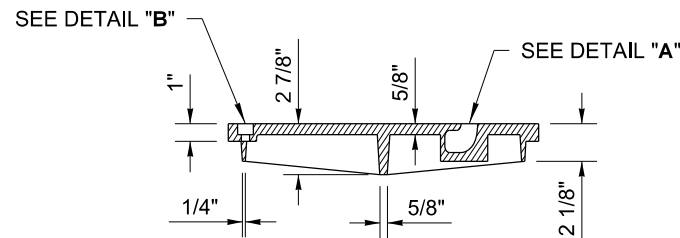


**COVER SECTION B  
(SEE NOTE 7)**

**STANDARD  
TYPE 1**

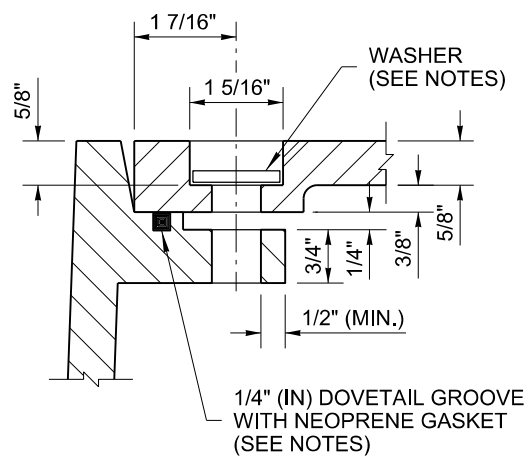


**COVER PLAN**

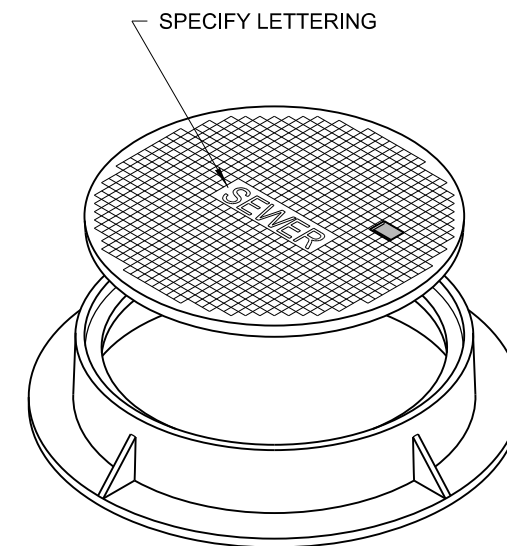


**COVER SECTION B  
(SEE NOTE 7)**

**BOLT-DOWN / WATERTIGHT  
TYPE 2**



**BOLT-DOWN / WATERTIGHT  
DETAIL "B"**



**ISOMETRIC VIEW**

**NOTES**

1. The gasket and groove may be in the seat (frame) or in the underside of the cover. The gasket may be "T" shaped in section. The groove may be cast or machined.
2. Bolt-down capability is required on all frames, grates, and covers, unless specified otherwise in the Contract. Provide 3 holes in the frame that are vertically aligned with the grate or cover slots. The frame shall accept the 304 Stainless Steel (S.S) 5/8" - 11 NC x 2" (in) allen head cap screw by being tapped, or other approved mechanism. Location of bolt down holes varies by manufacturer.
3. For bolt-down manhole ring and covers that are not designated "Watertight," the neoprene gasket, groove, and washer are not required.
4. Washer shall be neoprene (Detail "B").
5. In lieu of blind pick notch for manhole covers, a single 1" (in) pick hole is acceptable. Hole location and number of holes may vary by manufacturer.
6. Alternative reinforcing designs are acceptable in lieu of the rib design.
7. For clarity, the vertical scale of the Cover Section has been exaggerated, it is 1.5 times the horizontal scale (1H:1.5V).



**CIRCULAR FRAME (RING)  
AND COVER**

**STANDARD PLAN B-30.70-04**

SHEET 1 OF 1 SHEET

APPROVED FOR PUBLICATION