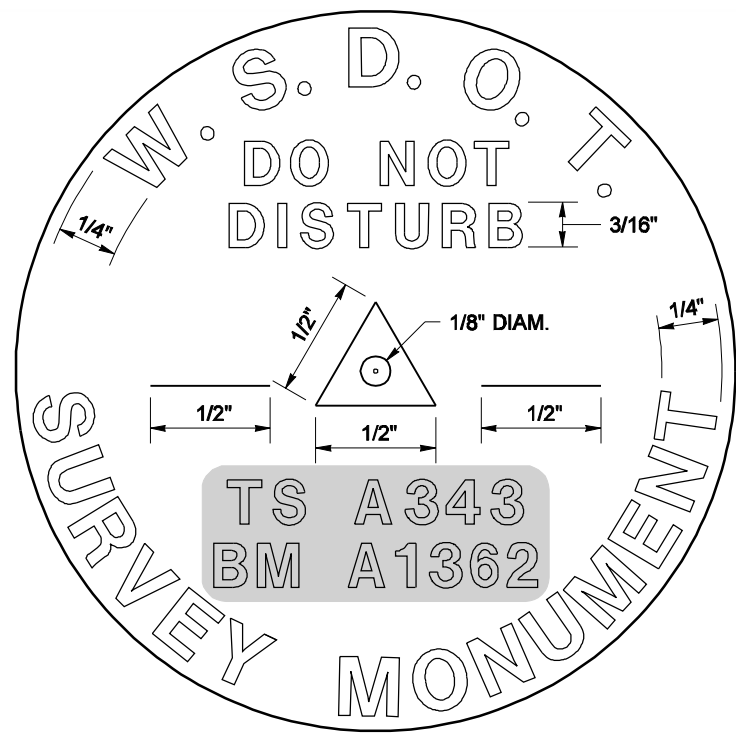


DRAWN BY: MARK SUJKA



**TYPE 1**

**TOP VIEW**

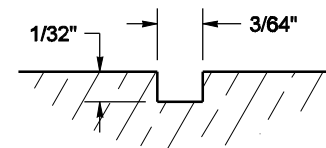
**BRASS DISC**



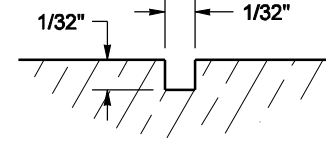
**TYPE 2**

**TOP VIEW**

**BRASS DISC**



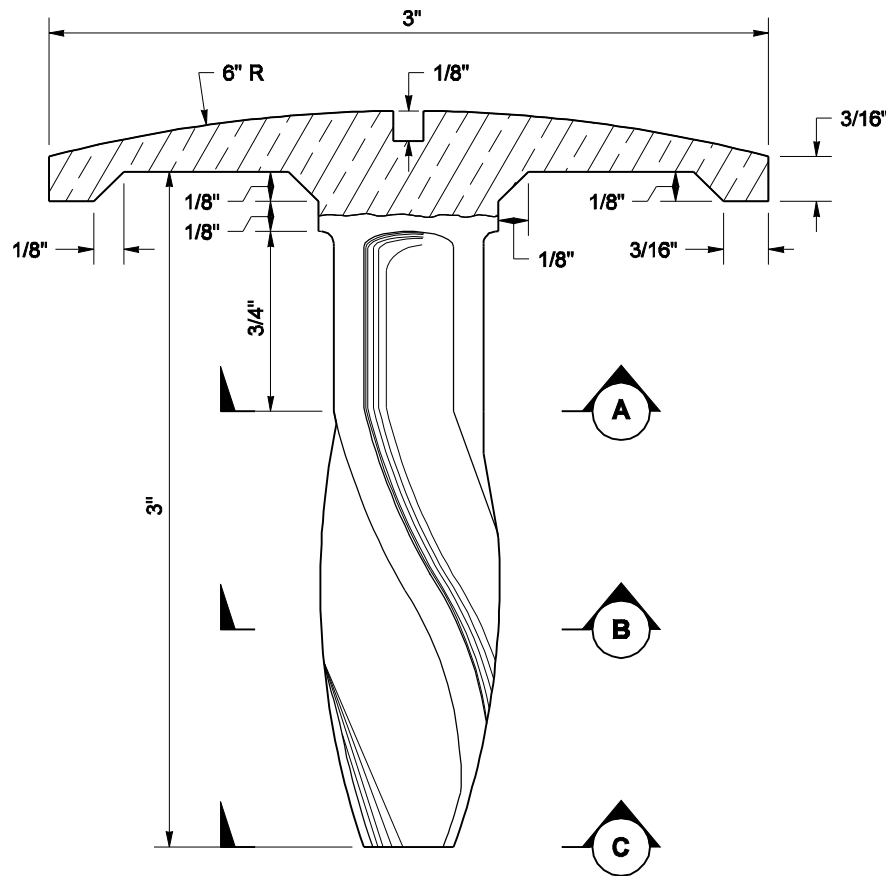
**SECTION OF GROOVE FOR 1/4" LETTERS**



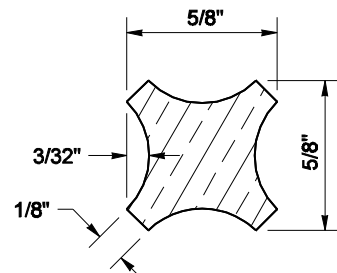
**SECTION OF GROOVE FOR 3/16" LETTERS**

**NOTES**

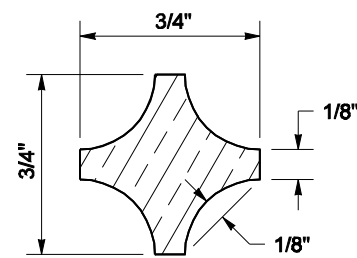
1. The Brass Disc will be furnished by the State.
2. The text in the shaded area (see TOP VIEW) shall be 3/16" high and will be stamped by WSDOT personnel prior to setting the cap. Only the assigned identification letters and numbers are to be placed on the Brass Disc.
3. The hole shall be 32" minimum in depth or 6" below the deepest recorded frost line. All loose material shall be removed from the bottom of the hole so that the concrete is placed on firm undisturbed earth.
4. The top of the concrete shall be troweled smooth and the Brass Disc set in the center with top flush and level. The top of the monument may be recessed or protruding, depending on conditions.
5. The Brass Disc shall be rotated so it can be read while the observer is facing north.
6. When the concrete is set, cover the entire monument with moist earth and leave for three days.
7. To replace a Public Land Survey System (PLSS) corner, consult a licensed Professional Land Surveyor (PLS).



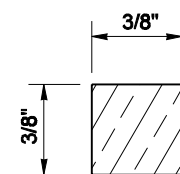
**SIDE VIEW**



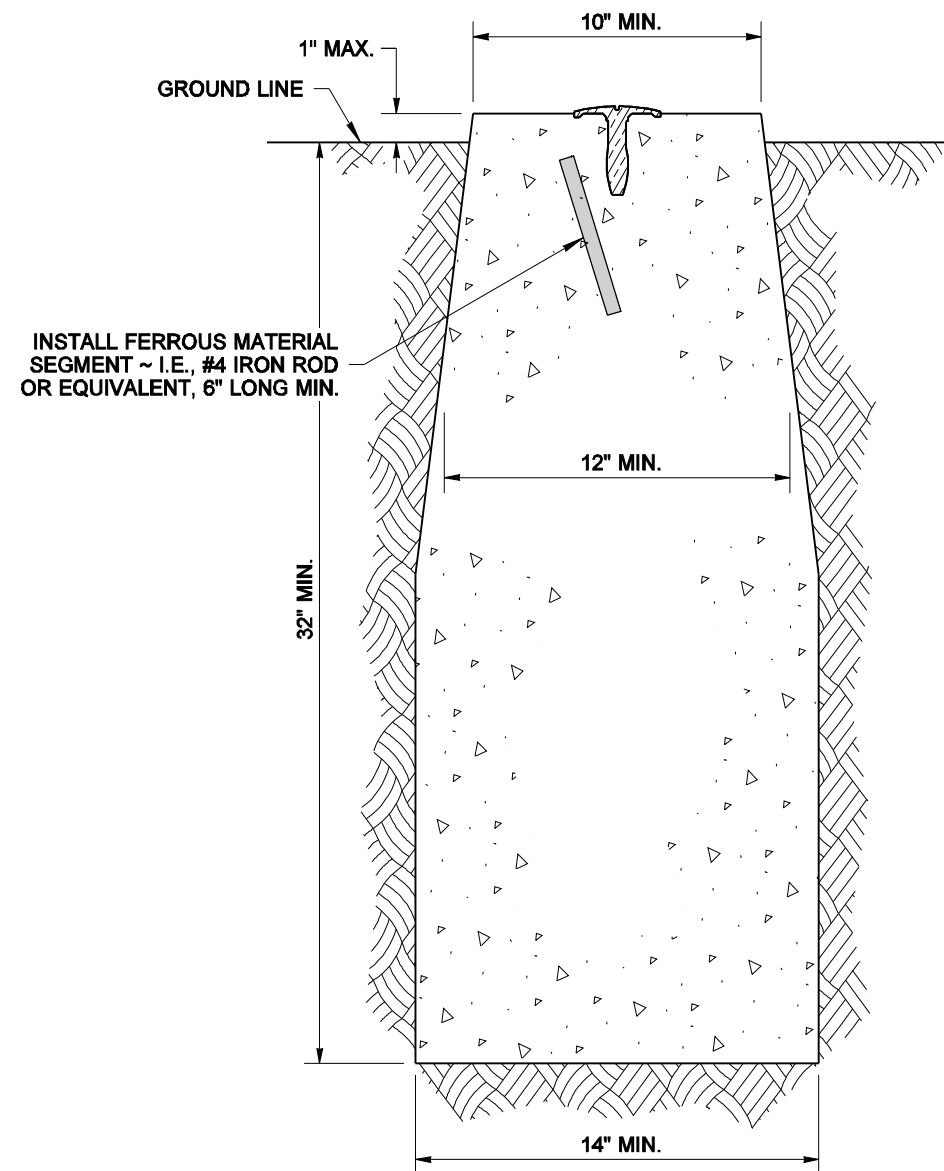
**SECTION A**



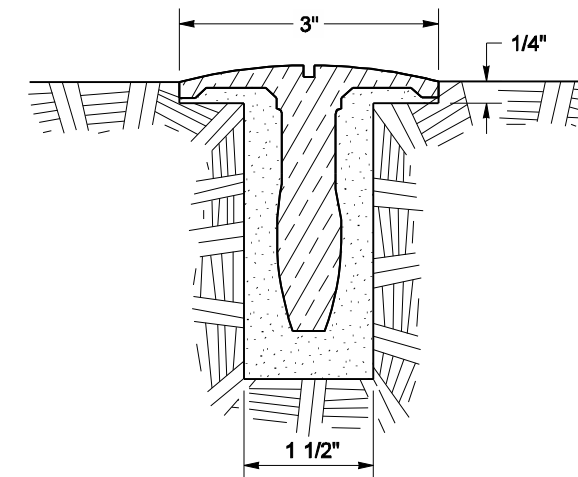
**SECTION B**



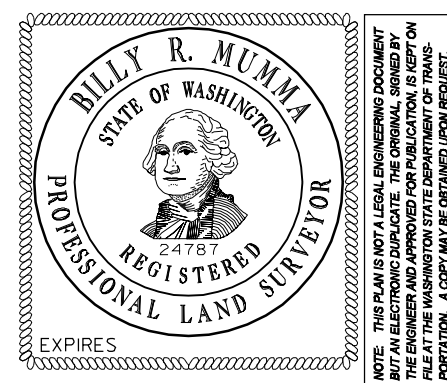
**SECTION C**



**SECTION VIEW  
GENERAL INSTALLATION**



**SECTION VIEW  
LEDGE ROCK, CONCRETE,  
OR ASPHALT INSTALLATION**



**SURVEY MONUMENT  
TYPES 1 AND 2  
STANDARD PLAN A-10.20-00**

SHEET 1 OF 1 SHEET

APPROVED FOR PUBLICATION

**Pasco Bakotich III** 10-05-07

STATE DESIGN ENGINEER DATE

